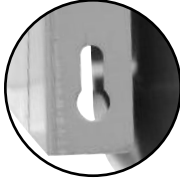




STAINLESS STEEL
HAND SINKS
ELECTRONIC OPERATED FAUCETS



Keyhole Bracket for easier installation and greater stability.



Item #: _____ **Qty #:** _____
Model #: _____
Project #: _____



7-PS-51



FEATURES:

One piece **Deep Drawn** sink bowl design. Sink bowl is 10" x 14" x 5".
 "Hands Free" Electronic Faucet makes use of infrared technology to sense the user's presence and immediately turn on water supply that is pre-mixed to desired temp.
 Standard Electronic gooseneck faucet is splash mounted and comes complete with AC/DC control module, sensor, 4 "AA" batteries and spout.
 All sink bowls have a large liberal radii with a minimum dimension of 2" and are rectangular in design for increased capacity.
 Keyhole wall mount bracket.
 Stainless steel basket drain 1 1/2" IPS.

Specific Features:

7-PS-51 & 7-PS-81 lever operated drain and built-in overflow with plastic overflow tube and spring clamps. P-Trap is 1 1/2".
7-PS-81 towel dispenser with hinged towel box. Unit uses standard C-fold towels. Liquid Soap dispenser.
7-PS-91 pedestal skirt.

CONSTRUCTION:

All TIG welded.
 Welded areas blended to match adjacent surfaces and to a satin finish.
 Die formed Countertop Edge with a 3/8" No-Drip offset.
 One sheet of stainless steel - No Seams.

MATERIAL:

Heavy gauge type 304 series stainless steel.
 Electronic Faucet solid brass, chrome plated.
 Wall mounting bracket is stainless steel and of offset design.
 All fittings are brass / chrome plated unless otherwise indicated.

MECHANICAL:

Electronic faucet is 1/2" male IPS thread.
K-175 Replacement Electronic Operated Faucet.



7-PS-61



7-PS-81



7-PS-91

Standard Faucet conforms to NSF 61 Standard 9. An optional faucet upgrade is required for compliance to AB 1953 Standards.

For Replacement Faucets & Upgrades, Drains & Accessories visit our website at www.advancetabco.com



Customer Service Available To Assist You 1-800-645-3166 8:30 am - 8:00 pm E.S.T.
 Email Orders To: customer@advancetabco.com. For Smart Fabrication™ Quotes, Email To: smartfab@advancetabco.com or Fax To: 631-586-2933

NEW YORK Fax: (631) 242-6900	GEORGIA Fax: (770) 775-5625	TEXAS Fax: (972) 932-4795	NEVADA Fax: (775) 972-1578
--	---------------------------------------	-------------------------------------	--------------------------------------

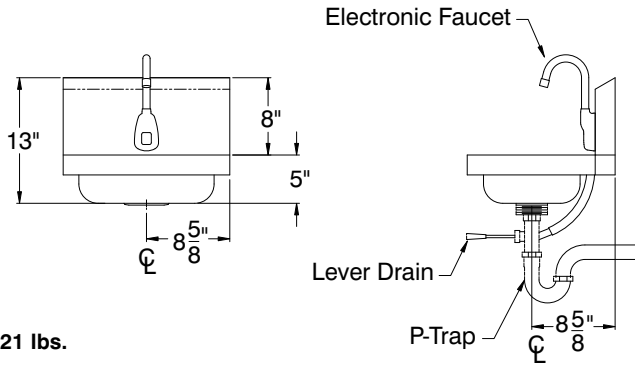
DIMENSIONS and SPECIFICATIONS

TOL Overall: ± .500" Interior: ± .250"

FITTINGS SUPPLIED AS SHOWN

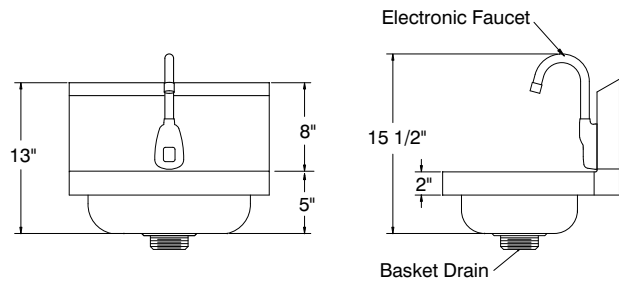
ALL DIMENSIONS ARE TYPICAL

7-PS-51



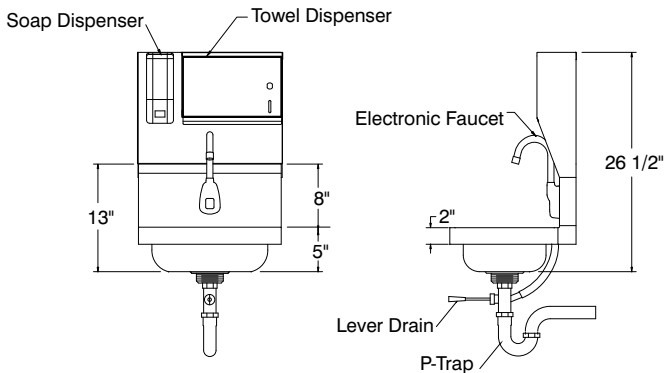
21 lbs.

7-PS-61



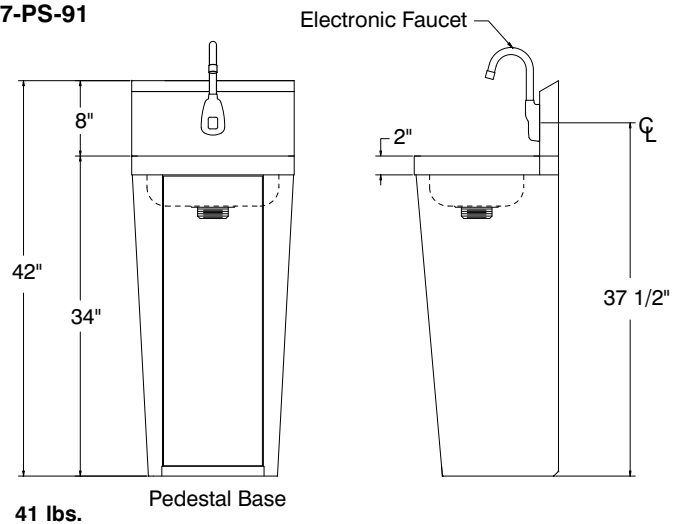
19 lbs.

7-PS-81



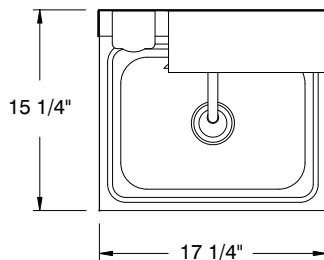
32 lbs.

7-PS-91

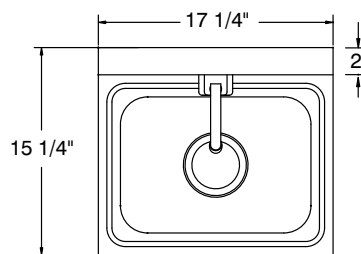


41 lbs.

TOP VIEW for 7-PS-81



TOP VIEW for 7-PS-61,
7-PS-81 & 7-PS-91



Sink Bowl 10" x 14" x 5"

