



STAINLESS STEEL  
**DROP-IN SINKS**  
 One Compartment - FOR HAND SINK USE

Sinks Includes Gooseneck Faucet & Drain



Item #: \_\_\_\_\_ Qty #: \_\_\_\_\_  
 Model #: \_\_\_\_\_  
 Project #: \_\_\_\_\_

**FEATURES:**

One piece seamless **Deep Drawn** sink bowl design.  
 All sink bowls have a large liberal radii with a minimum dimension of 2" and are rectangular in design for increased capacity.  
 Self-Rim Design. Mounting clips provided accomodate all thicknesses of counter. (Quantity supplied varies based on drop in sink ordered).  
 Includes 4" O.C. **K-52** faucet & basket drain.

**CONSTRUCTION:**

Unit fabricated from one sheet of stainless steel.  
 All bowls are Sound Deadened.  
 Units feature Advance Tabco's **Smart Finish™**.

**MECHANICAL:**

Faucet supply is 1/2" IPS male thread.  
 Deck mounted faucet is furnished with aerator and 4" O.C.

**MATERIAL:**

20 gauge type 304 series stainless steel.  
 Faucets are brass-nickel plated.  
 Stainless Steel 1-1/2" IPS basket drain.



DI-1-5



DI-1-25



DI-1-5SP



DI-1-10

New 6" Rear & Side Splash



DI-1-10SP



DI-1-35



STANDARD MOUNTING CLIPS accomodate all thicknesses of counter.

Replacement # K-28 (Per Sink)

Available Faucets & Accessories	Model #	Qty
Deck Mounted 3 1/2" Gooseneck. 4" O.C.	K-52	
Deck Mounted 8 1/2" Gooseneck. 4" O.C.	K-55	
Deck Mounted Swing w/Spray. 8" O.C.*	K-58	
Deck Mtd. X.H.D. 3 1/2" Gooseneck. 4" O.C.	K-62	
Mounting Clips (Bag of 4).	K-28	

\*REQUIRES K-472 FAUCET HOLE REVISION

Standard Faucet conforms to NSF 61 Standard 9. An optional faucet upgrade is required for compliance to AB 1953 Standards.

For Replacement Faucets & Upgrades, Drains & Accessories visit our website at [www.advancetabco.com](http://www.advancetabco.com)



Customer Service Available To Assist You **1-800-645-3166** 8:30 am - 8:00 pm E.S.T.

Email Orders To: [customer@advancetabco.com](mailto:customer@advancetabco.com). For Smart Fabrication™ Quotes, Email To: [smartfab@advancetabco.com](mailto:smartfab@advancetabco.com) or Fax To: 631-586-2933

**NEW YORK**  
 Fax: (631) 242-6900

**GEORGIA**  
 Fax: (770) 775-5625

**TEXAS**  
 Fax: (972) 932-4795

**NEVADA**  
 Fax: (775) 972-1578

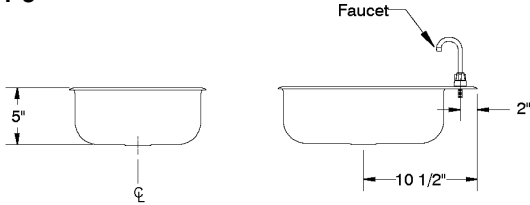
# DIMENSIONS and SPECIFICATIONS

TOL ± .125"

Supplied with K-52 Faucet

ALL DIMENSIONS ARE TYPICAL

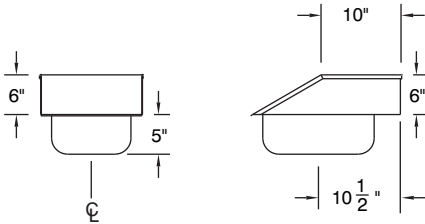
DI-1-5



**NSF**

Approx. Wt. 12 lbs.

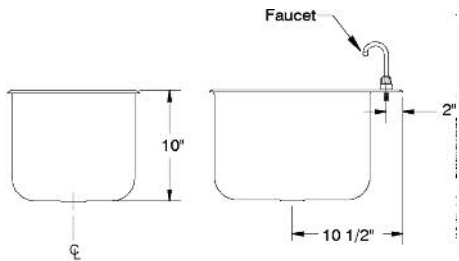
DI-1-5SP



**NSF**

Approx. Wt. 16 lbs.

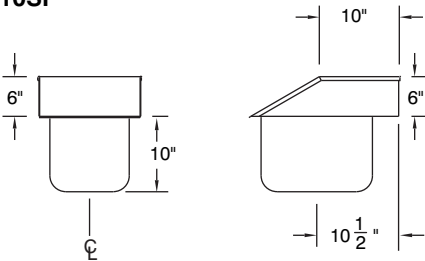
DI-1-10



**NSF**

Approx. Wt. 14 lbs.

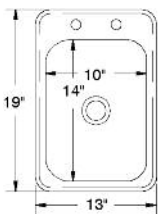
DI-1-10SP



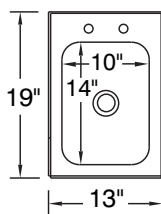
**NSF**

Approx. Wt. 18 lbs.

TOP VIEW FOR  
DI-1-5 & DI-1-10

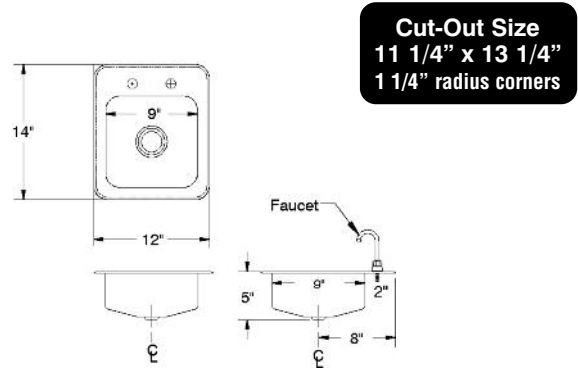


TOP VIEW FOR  
DI-1-5SP & DI-1-10SP



**Cut-Out Size**  
12 1/4" x 18 1/4"  
1 1/4" radius corners

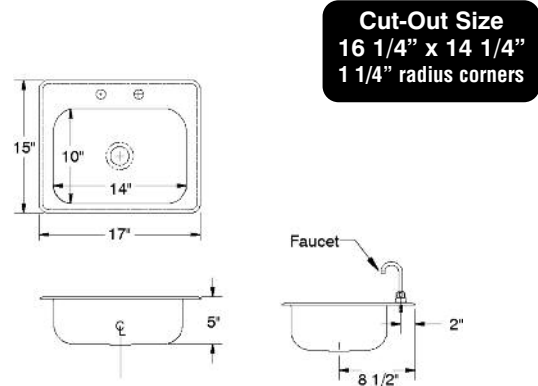
DI-1-25



**NSF**

Approx. Wt. 8 lbs.

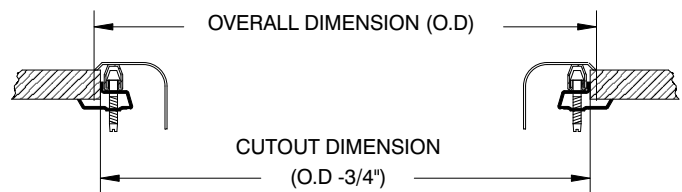
DI-1-35



**NSF**

Approx. Wt. 10 lbs.

## TYPICAL INSTALLATION



**Cut-Out Size = L to R x F to B**

