



**STAINLESS STEEL**  
**FABRICATED CONVENIENCE STORE SINKS**



3 Compartment Sink with  
2 drainboards Shown

**Item #:** \_\_\_\_\_ **Qty #:** \_\_\_\_\_  
**Model #:** \_\_\_\_\_  
**Project #:** \_\_\_\_\_

***Our Solution...to Your Limited Space Problem***  
**In Six Feet or less...**  
**you can WASH, RINSE & SANITIZE**



Fabricated Bowls are Welded Together at the Seams

**FEATURES:**

- Tile edge for ease of installation.
- 3 compartments, 2 drainboards with splash.
- stainless steel legs and cross-bracing.
- Placement of the welded leg assembly ensures stability and furnishes direct support of the column load requirement for the entire sink unit.

**CONSTRUCTION:**

- All TIG welded.
- Welded areas blended to match adjacent surfaces and to a satin finish.

**MATERIAL:**

- Unit is 18 gauge type "304" stainless steel.
- Legs are 1 5/8" diameter heavy gauge tubular stainless steel with stainless steel gussets.
- 1" adjustable stainless steel bullet feet.

Bowl Size	Overall Length	# of Compart.	MODEL #
10x14	58"	3	K7-CS-21
	70"	3	K7-CS-22
14x16	70"	3	K7-CS-29
12x20	64"	3	K7-CS-32

ACCESSORIES	Model #	Qty
FAUCETS		

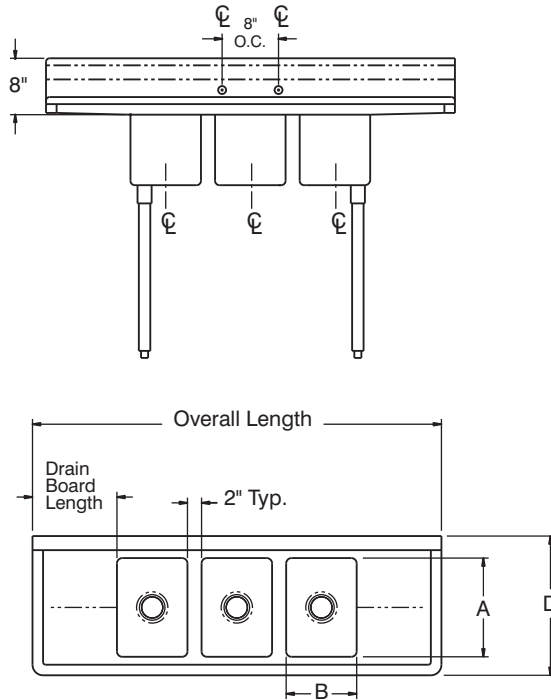
**CORNER SINKS ALSO AVAILABLE. PLEASE SEE "KORNER SINKS" SPECIFICATION SHEET**

 <b>ADVANCE TABCO</b> SMART FABRICATION™ www.advancetabco.com	<b>Customer Service Available To Assist You 1-800-645-3166 8:30 am - 8:00 pm E.S.T.</b> Email Orders To: customer@advancetabco.com. For Smart Fabrication™ Quotes, Email To: smartfab@advancetabco.com or Fax To: 631-586-2933			
	<b>NEW YORK</b> Fax: (631) 242-6900	<b>GEORGIA</b> Fax: (770) 775-5625	<b>TEXAS</b> Fax: (972) 932-4795	<b>NEVADA</b> Fax: (775) 972-1578

# DIMENSIONS and SPECIFICATIONS

TOL Overall:  $\pm .500''$   
 Interior:  $\pm .250''$

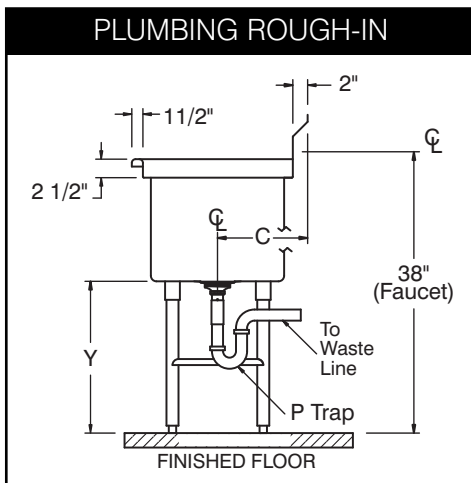
ALL DIMENSIONS ARE TYPICAL



3 Compartment Sink with 2 drainboards Shown

MODEL #	BOWL (SIZE)	Overall Length	Drainboard Length	WT** (lbs)	A	B	C	D	X	Y
K7-CS-21	10x14	58"	12"	85	14"	10"	10"	19 1/2"	10"	24"
K7-CS-22		70"	18"	100	14"	10"	10"	19 1/2"	10"	24"
K7-CS-29	14x16	70"	12"	135	16"	14"	11"	21 1/2"	12"	22"
K7-CS-32	12x20	64"	12"	110	20"	12"	13"	25 1/2"	12"	22"

\*\* Approx. Shipping Weights



### MECHANICAL:

- Supply is 1/2" IPS hot & cold.
- Faucet holes on 8" centers.
- Faucets are not included (see accessories).
- Waste drains are 1 1/2" IPS S/S basket type, located in center of sink bowl, and are included.

