



DELUXE AND BUDGET DRAWERS

- Stainless Steel Front
- Ball Bearing Slides
- Removable Inset



MODEL #	Width	Description	Inset
SS-2015	17 3/4"	Stainless Steel	20" x 15" x 5"
GZ-2015	17 3/4"	Galvanized	20" x 15" x 5"
SS-2020	22 3/4"	Stainless Steel	20" x 20" x 5"
GZ-2020	22 3/4"	Galvanized	20" x 20" x 5"

DELUXE AND BUDGET DRAWER ACCESSORIES

Pad Lock Hasp TA-13

Drawer Lock TA-14
(Does not apply to Budget Drawers)

Drawers Modified to
15" L/R x 20" F/B* TA-50

Drawer Adapter/Non Catalog Tables
(specify table width) TA-90

- Friction Slides
- Die Formed Handle



MODEL #	Width	Description	Inset
FS-2015	17 3/4"	Stainless Steel	20" x 15" x 5"
FG-2015	17 3/4"	Galvanized	20" x 15" x 5"
FS-2020	22 3/4"	Stainless Steel	20" x 20" x 5"
FG-2020	22 3/4"	Galvanized	20" x 20" x 5"

Item #: _____ Qty #: _____

Model #: _____

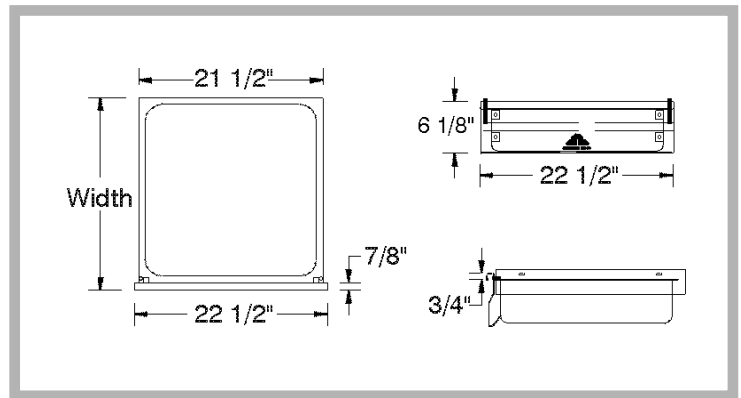
Project #: _____

DELUXE SERIES DRAWERS

DETAILS and SPECIFICATIONS

TOL ± .500"

ALL DIMENSIONS ARE TYPICAL

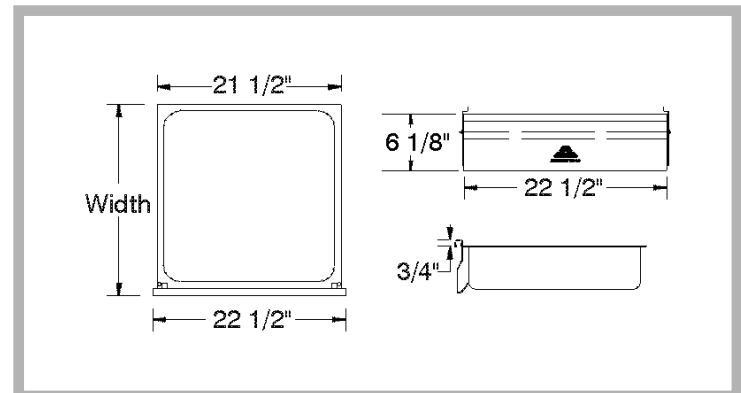


BUDGET SERIES DRAWERS

DETAILS and SPECIFICATIONS

TOL ± .500"

ALL DIMENSIONS ARE TYPICAL



Customer Service Available To Assist You **1-800-645-3166** 8:30 am - 8:00 pm E.S.T.

Email Orders To: customer@advancetabco.com. For Smart Fabrication™ Quotes, Email To: smartfab@advancetabco.com or Fax To: 631-586-2933

NEW YORK
Fax: (631) 242-6900

GEORGIA
Fax: (770) 775-5625

TEXAS
Fax: (972) 932-4795

NEVADA
Fax: (775) 972-1578