



STAINLESS STEEL
REGALINE SINKS
T9 SERIES



Item #: _____ **Qty #:** _____
Model #: _____
Project #: _____



Deep Drawn Bowls are Seamless and Drawn out of a Single Sheet of Steel

FEATURES:

- Tile edge for ease of installation.
- One piece **Deep Drawn** sink bowls with integral drainboards with splash.
- Featuring the single bowl unit design.
- All sink bowls have a large liberal 3" radius.
- Placement of the welded leg assembly ensures stability and furnishes direct support of the column load requirement for the entire sink unit.

CONSTRUCTION:

- All TIG welded.
- Welded areas blended to match adjacent surfaces and to a satin finish.
- Gussets welded to a die-embossed reinforcing channel.

MECHANICAL:

- Supply is 1/2" IPS hot & cold.
- Faucet holes on 8" centers.
- Faucets are not included **(see accessories)**.
- Waste drains are 1 1/2" IPS S/S basket type, located in center of sink bowl, and are included.

MATERIAL:

- 1 5/8" diameter galvanized legs and gussets.
- 1" adjustable plastic bullet feet.
- Bowls are heavy gauge stainless steel type 304 series.
- Drainboards, splash and rolled rims are fabricated using heavy gauge stainless steel type 304 series.



Customer Service Available To Assist You 1-800-645-3166 8:30 am - 8:00 pm E.S.T.
Email Orders To: customer@advancetabco.com. For Smart Fabrication™ Quotes, Email To: smartfab@advancetabco.com or Fax To: 631-586-2933

NEW YORK
Fax: (631) 242-6900

GEORGIA
Fax: (770) 775-5625

TEXAS
Fax: (972) 932-4795

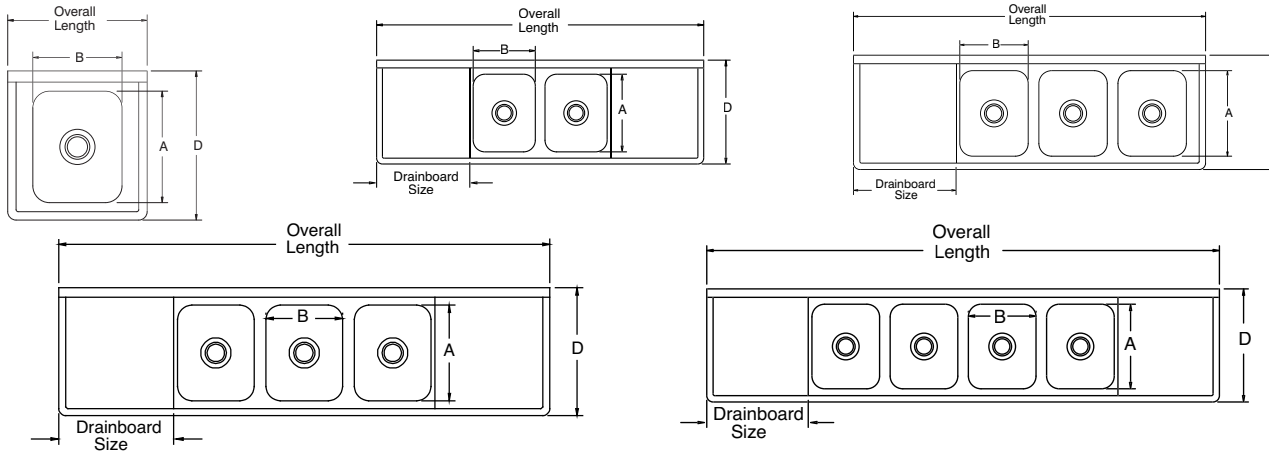
NEVADA
Fax: (775) 972-1578

DIMENSIONS and SPECIFICATIONS

12" Water Level Accommodates Pot & Dish Applications

TOL Overall: ± .500"
Interior: ± .250"

ALL DIMENSIONS ARE TYPICAL



BOWL (SIZE)	Overall Length	# of Comp.	# of Drbds	Drbd. Size	Wt. (lbs.)	Recommended Use	MODEL #	A	B	C	D	V	W	X	Y	Z
16"x20"	25"	One	None	-	49	DISH SINKS	T9-1-24	20"	16"	13-5/8"	27"	38"	8"	12"	22"	42"
16"x20"	43"	One	One	18"	65	DISH SINKS	T9-1-24-18RorL	20"	16"	13-5/8"	27"	38"	8"	12"	22"	42"
16"x20"	54"	One	Two	18"	82	DISH SINKS	T9-1-24-18RL	20"	16"	13-5/8"	27"	38"	8"	12"	22"	42"
16"x20"	44"	Two	None	-	66	DISH SINKS	T9-2-36	20"	16"	13-5/8"	27"	38"	8"	12"	22"	42"
16"x20"	58"	Two	One	18"	72	DISH SINKS	T9-2-36-18RorL	20"	16"	13-5/8"	27"	38"	8"	12"	22"	42"
16"x20"	72"	Two	Two	18"	120	DISH SINKS	T9-2-36-18RL	20"	16"	13-5/8"	27"	38"	8"	12"	22"	42"
16"x20"	62"	Three	None	-	89	DISH SINKS	T9-3-54	20"	16"	13-5/8"	27"	38"	8"	12"	22"	42"
16"x20"	**77"	Three	One	18"	134	DISH SINKS	T9-3-54-18RorL	20"	16"	13-5/8"	27"	38"	8"	12"	22"	42"
16"x20"	91"	Three	Two	18"	168	DISH SINKS	T9-3-54-18RL	20"	16"	13-5/8"	27"	38"	8"	12"	22"	42"
16"x20"	103"	Three	Two		190	DISH SINKS	T9-3-54-24RL	20"	16"	13-5/8"	27"	38"	8"	12"	22"	42"
16"x20"	*110"	Four	Two	18"	195	DISH SINKS	T9-4-72-18RL	20"	16"	13-5/8"	27"	38"	8"	12"	22"	42"
20"x20"	29"	One	None	-	61	DISH SINKS	T9-21-20	20"	20"	13-5/8"	27"	38"	8"	12"	22"	42"
20"x20"	44"	One	One	18"	71	DISH SINKS	T9-21-20-18RorL	20"	20"	13-5/8"	27"	38"	8"	12"	22"	42"
20"x20"	81"	Two	Two	18"	132	DISH & POT SINKS	T9-22-40-18RL	20"	20"	13-5/8"	27"	38"	8"	12"	22"	42"
20"x20"	89"	Three	One	18"	150	DISH & POT SINKS	T9-23-60-18RorL	20"	20"	15-5/8"	27"	38"	8"	12"	22"	42"
20"x20"	103"	Three	Two	18"	175	DISH & POT SINKS	T9-23-60-18RL	20"	20"	13-5/8"	27"	38"	8"	12"	22"	42"
20"x20"	*115"	Three	Two	24"	232	DISH & POT SINKS	T9-23-60-24RLH	20"	20"	13-5/8"	27"	38"	8"	12"	22"	42"
18"x24"	109"	Three	Two	24"	262	POT SINK	T9-63-54-24RL	24"	18"	15-5/8"	31"	38"	8"	12"	22"	42"
20"x28"	103"	Three	Two	18"	270	PAN SINK	T9-83-60-18RL	28"	20"	17-5/8"	35"	38"	8"	12"	22"	42"

* Requires 2 Faucets ** Specify Drainboard Location † 14" Deep Bowls

