

Item No.

Keep Your Kitchen Operation At Peak Efficiency With The Anets GoldenGrill™ Chrome Grills.

Special advantages of the highly polished chrome finish include superior cleanability, minimal heat radiation from grill surface, and maximum heat transfer into food. Individual thermostatically controlled burners every 12 inches. Cook a variety of products with no flavor transfer.

Introducing A First Of Its Kind, A Full-Depth Side Grease Drawer. Grilling requires constant scraping between loads. Now the Anets GoldenGrill line of grills has a feature to make this task quicker and easier. A simple scrape to the side and the grill by-product is disposed in the drawer. Open access to the drawer along the entire cooking depth of the grill makes it quick and convenient. Invest in the Anets GoldenGrill Chrome Grill and save on labor and energy costs.



STANDARD FEATURES

- 3/4" steel plate precision ground, highly polished and plated with a hard chrome finish
- One burner per foot:
30,000 BTUH per burner (24" Models)
40,000 BTUH per burner (30" Models)
- Stainless steel front, sides, and splashguards
- Spark ignitor for lighting pilots
- Snap action thermostats every 12 inches (1 per burner)
- Double wall construction keeps the operator and kitchen cool

SIDE GREASE DRAWER FEATURES

- Full grill depth access to drawer
- Drawer is all stainless steel
- Easy to remove and clean, dishwasher safe
- Built in spatula holder
- Drawer easily slides in and out on a solid frame with guides

**SGC24X48-LD
shown on optional
stainless steel stand
with undershelf
and casters**



**ANETS
GoldenGRILL™**





SPECIFICATIONS

- Model: SGC-LD Models (See chart below)
- Certification: ETL, CETL, NSF
- BTUH input: 30,000 per burner (foot), 24" Deep Models
40,000 per burner (foot), 30" Deep Models
- Gas Pressure: NG 3.5" WC, LP 10" WC, Pressure regulator included
- Gas Connection: 3/4" NPT
- Electrical: None
- Thermostats: Gas operated, snap action
200-550F (93-288C)
- Plate: 3/4" steel plate precision ground, highly polished and plated with a hard chrome finish
- Burners: Aluminized steel
- Safety Pilots: 100% gas shut-off valve
- Spark Ignitor: Piezo electric
- Cabinet: Front and sides, stainless steel
Splashguard, stainless steel

STANDARD ACCESSORIES

- Stainless steel sides
- Safety pilots
- Spark ignitor
- Pressure regulator
- 4" Adjustable chrome plated legs

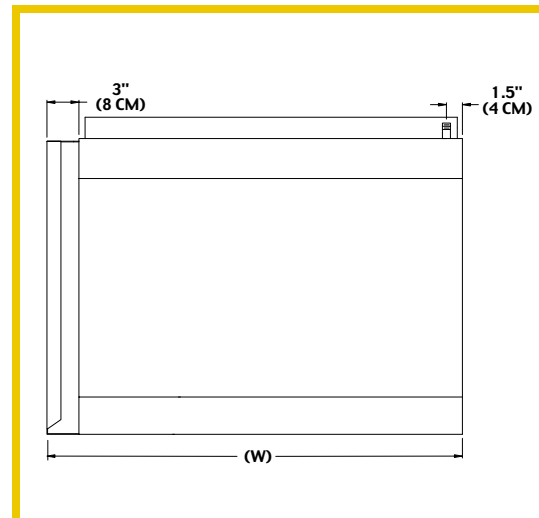
OPTIONS AND ACCESSORIES

- Removable cutting board bracket assembly
- Stainless steel stands
- 11" High backsplash

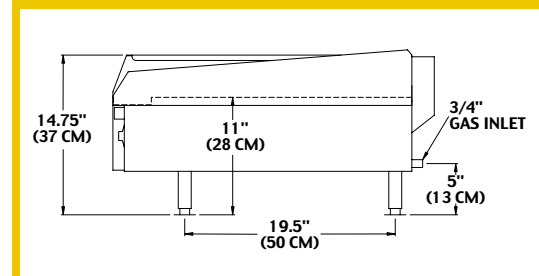
DIMENSIONS

24" LD MODELS

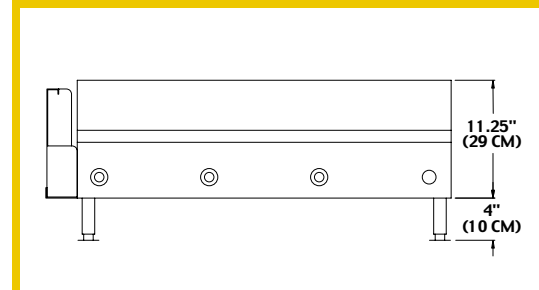
Overall	SGC	SGC	SGC	SGC	SGC
	24X24	24X36	24X48	24X60	24X72
■ (W) Width	27.25"	39.25"	51.25"	63.25"	75.25"
■ Height	15.25"	15.25"	15.25"	15.25"	15.25"
■ Depth	29.75"	29.75"	29.75"	29.75"	29.75"
Plate					
■ Width	24"	36"	48"	60"	72"
■ Depth	24"	24"	24"	24"	24"
NG BTUH	60,000	90,000	120,000	150,000	180,000
LP BTUH	60,000	90,000	120,000	150,000	180,000



Top View



Side View



Front View

30" LD MODELS

Overall	SGC	SGC	SGC	SGC	SGC
	30X24	30X36	30X48	30X60	30X72
■ (W) Width	27.25"	39.25"	51.25"	63.25"	75.25"
■ Height	15.25"	15.25"	15.25"	15.25"	15.25"
■ Depth	35.75"	35.75"	35.75"	35.75"	35.75"
Plate					
■ Width	24"	36"	48"	60"	72"
■ Depth	30"	30"	30"	30"	30"
NG BTUH	80,000	120,000	160,000	200,000	240,000
LP BTUH	72,000	108,000	144,000	180,000	216,000

Specifications subject to change without notice.
SS# 232 Revised 10/01
Printed in the U.S.A.

