

AR-7H

HOT HOLDING ROTISSERIE COMPANION



PASS-THROUGH
OPTION SHOWN



- HALO HEAT... a controlled, uniform heat source that gently surrounds foods for better appearance, taste, and longer holding life.
- Smart styling, advanced design.
- Adjustable thermostat and temperature gauge monitor inside air temperature.
- Solid state electronic control option simplifies temperature setting, has a clear, easy-to-read LED display, and is adjustable in increments of 1 degree.
- Stackable with an identical holding cabinet or matching rotisserie oven.
- Solid stainless steel back prevents further heat loss.

Reach-in companion holding cabinet with non-magnetic stainless steel construction throughout. The cabinet is controlled by one (1) ON/OFF power switch, one (1) adjustable thermostat, 60° to 200°F (16° to 93°C); includes one (1) indicator light; and one (1) holding temperature gauge to monitor inside air temperature. The compartment is equipped with four (4) 60 watt bulbs, four (4) stainless steel wire shelves, two (2) stainless steel side racks, and sixteen (16) non-tilt pan support rails spaced at 2-15/16" (75mm) centers. Low-e glass door and magnetic latch is hinged right, with one (1) rugged, easy-grip, curved handle. One (1) set of 5" (127mm) heavy duty casters—two (2) rigid and two (2) swivel with brake—are included.

Electronic control includes a 4-digit LED display, ON/OFF key, up and down arrow keys for temperature adjustment, and miscellaneous indicator lights for operational status. The control has a built-in lock out feature.

MODEL AR-7H: Hot Holding Rotisserie Companion

FACTORY INSTALLED OPTIONS



ANSI/NSF 4



- Electrical Choices
 - Specify Voltage:
 - 120
 - 208-240
 - 230
- Control Choices
 - Specify control:
 - Electronic
 - Manual
- Panel Color Choices
 - Specify color:
 - Stainless Steel, standard
 - Black, optional
 - Burgundy, optional
- Door Choices
 - Specify Door type:
 - Reach-in, solid back, standard
Single pane, flat glass door
 - Reach-in, solid back, standard
Double pane, curved glass door
 - Pass-through, optional
Single pane, flat glass door
 - Pass-through, optional
Double pane, curved glass door
- Door Swing Choices
 - Specify door swing:
 - Right-hand, standard
 - Left-hand, optional

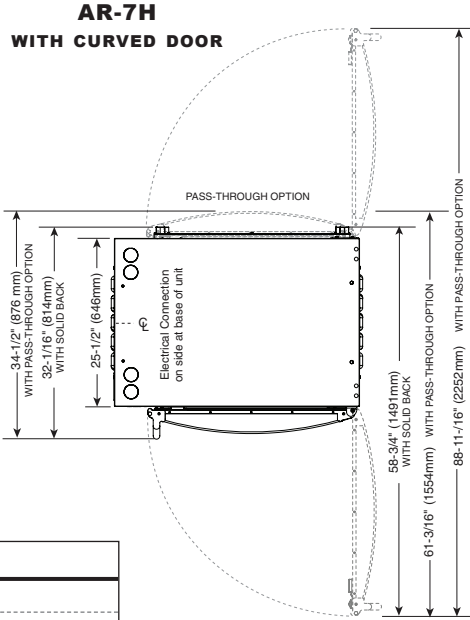
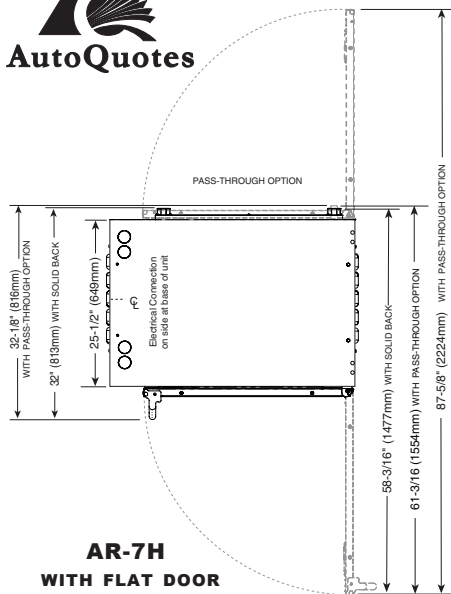


W164 N9221 Water Street • P.O. Box 450 • Menomonee Falls, Wisconsin 53052-0450 • U.S.A.

PHONE: 262.251.3800 800.558.8744 U.S.A./CANADA FAX: 262.251.7067 800.329.8744 U.S.A. ONLY

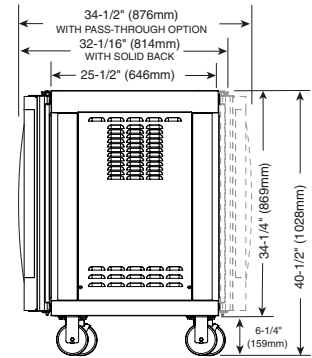
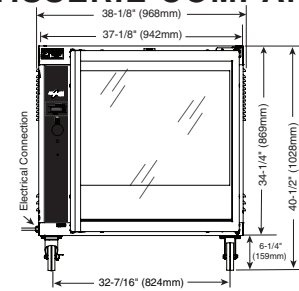
www.alto-shaam.com





AR-7H

HOT HOLDING ROTISSERIE COMPANION



PRODUCT/PAN CAPACITY	
60 lbs (27 kg) MAXIMUM	
FULL-SIZE SHEET PANS*: Eight (8) 18" x 26" x 1" (457mm x 660mm x 25mm)	
HALF-SIZE SHEET PANS*: Up to Sixteen (16) 18" x 13" x 1" (457mm x 330mm x 25mm)	
CHICKEN BOATS: Up to 24 (6 per shelf)	
*WITH ADDITIONAL WIRE SHELVES	

ELECTRICAL							
VOLTAGE	PHASE	CYCLE/HZ	AMPS	KW			
120	1	60	15.0	1.8	NEMA 5-20P 20A, 125V PLUG		
208-240V	AT 208	1	60	8.5	1.8	NEMA 6-15P 15A, 250V PLUG	
	AT 240	1	60	9.5	2.3	NEMA 6-15P 15A, 250V PLUG	
230	3	50	9.0	2.1	CEE 7/7 220-230V PLUG		

WEIGHT: NET: 269 lb (122 kg) SHIP: 319 lb (145 kg)
CRATED DIMENSIONS: L X W X H 53" x 45" x 45" (1346mm x 1143mm x 1143mm)

DIMENSIONS: H x W x D

SINGLE PANE, FLAT GLASS	
EXTERIOR: 40-1/2" x 38-1/8" x 32" (1028mm x 968mm x 813mm)	PASS-THROUGH EXTERIOR (OPTION): 40-1/2" x 38-1/8" x 32-1/8" (1028mm x 968mm x 816mm)
DOUBLE PANE, CURVED GLASS	
EXTERIOR: 40-1/2" x 38-1/8" x 32-1/16" (1028mm x 968mm x 814mm)	PASS-THROUGH EXTERIOR (OPTION): 40-1/2" x 38-1/8" x 34-1/2" (1028mm x 968mm x 876mm)

CLEARANCE REQUIREMENTS
6" (152mm) left, right, and rear sides

INSTALLATION REQUIREMENTS

- Appliance must be installed level. It must not be installed in any area where it may be affected by steam, grease, dripping water, high temperatures, or any other severely adverse conditions.
- In order to maintain NSF standards, models must be sealed at bottom by NSF approved sealant, equipped with casters, 4" (102mm) legs for counter models, or 6" (152mm) legs for floor models.

ACCESSORIES

<input type="checkbox"/> DOOR HANDLE (NON-CONTROL SIDE) HD-26900	STACKING ASSEMBLY
LEGS <input type="checkbox"/> LEGS, 6" (152mm) ASSEMBLY 5001414 <input type="checkbox"/> LEGS, 6" (152mm) ASSEMBLY, FLANGED FEET 5001761	<input type="checkbox"/> AR-7H OVER AR-7H 5009711
	<input type="checkbox"/> AR-7E OR AR-7EVH (208-240V, 1PH) OVER AR-7H 5008787
	<input type="checkbox"/> AR-7E OR AR-7EVH (208-240V, 3PH) OVER AR-7H 5008948
SHELF <input type="checkbox"/> SHELF, CHROME PLATED WIRE SH-2851 <input type="checkbox"/> SHELF, STAINLESS STEEL WIRE SH-24720	<input type="checkbox"/> AR-7E OR AR-7EVH (380-415V) OVER AR-7H 5008922
	STAND, STAINLESS STEEL <input type="checkbox"/> WITH STORAGE SHELF FR-26550 <input type="checkbox"/> OPEN (AR-7H OVER 750-S OR 6•10iNes) 5002058