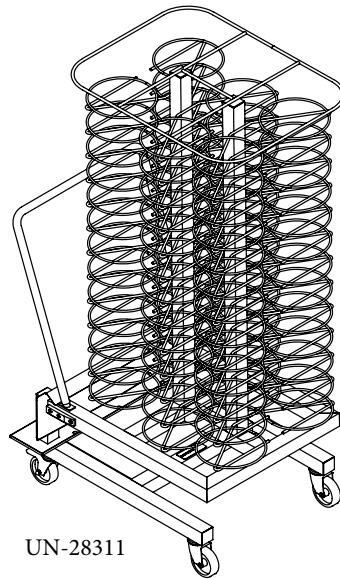
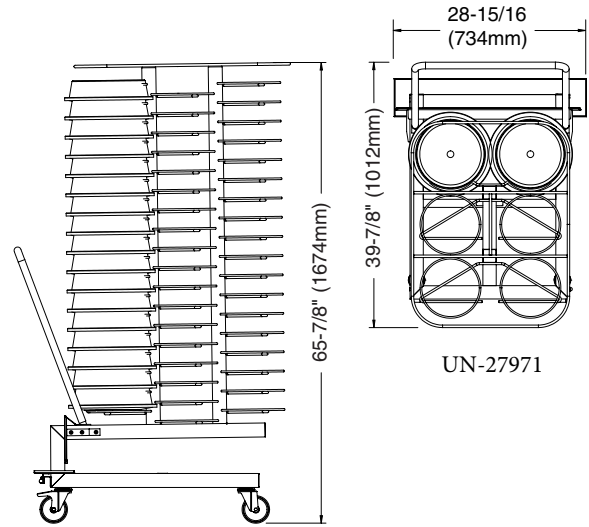


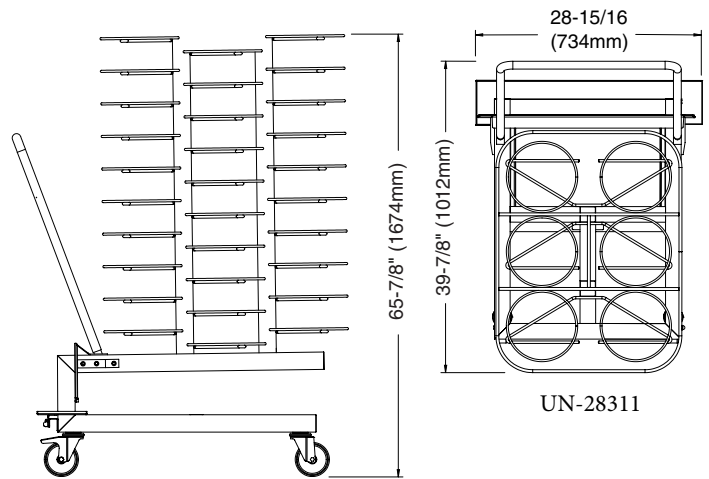
UN-27971



UN-28311



UN-27971



UN-28311

**SPECIFICATIONS**

Plate carts fit 20•20ES, 20•20ESG, 20•20ESI, 20•20MW, and QC2-100

<b>Roll-In Plate Cart</b>	<b>UN-27971</b>
65-7/8" x 28-15/16" x 39-7/8" (1674mm x 734mm x 1012mm)	
2-11/16" (69mm) SPACING	
HOLDS 108 10-12" (254-305mm) DIAMETER PLATES	
<b>Roll-In Plate Cart</b>	<b>UN-28311</b>
65-7/8" x 28-15/16" x 39-7/8" (1674mm x 734mm x 1012mm)	
3-1/2" (89mm) SPACING	
HOLDS 78 10-12" (254-305mm) DIAMETER PLATES	