

PRODUCT:

QUANTITY:

ITEM:

## Designed Smart

- RW-1V and RW-2V models have heating elements surrounding the sides that evenly distribute heat throughout the unit.
- Effectively keeps hot foods, soups and sauces at consistent levels above 140 degrees.
- Provided with insulation to protect interior parts and countertops from heat build-up.
- Round Warmers are constructed with heavy-duty stainless steel for long life.
- Interior liner is made with durable stainless steel.



Model RW-1V Countertop Round Warmer 7 Quart



Model RW-2V Countertop Round Warmer 11 Quart

## APW Wyott Design Features

- 7 quart (RW-1V) and 11 quart (RW-2V) capacity
- Stainless steel housing with stainless steel liner
- Thermostatic control (adjusts to low, medium and high)
- Raised liner edge prevents outside condensation
- Control and cord are located on the back of the warmer
- Electric band element provides fast, even heat
- Wet or dry operation
- Uses standard insets and covers. (Not included)

## Reliability backed by APW Wyott's Warranty

These APW Wyott Warming Equipment styles are backed by a 1-year Parts and Labor warranty, including our "Enhanced Warranty" service that replaces new units with certain product issues through the convenience of direct factory shipments.

•Certified by the following agencies:



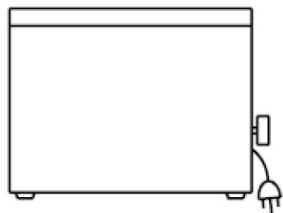
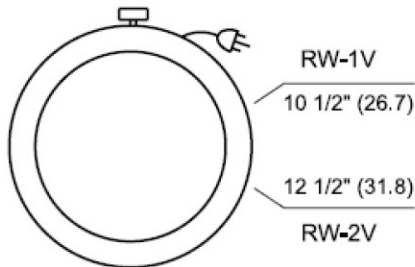
\*Warranty does not include rock grates, cooking grates, burners shields or fireboxes.

See reverse side for product specifications.

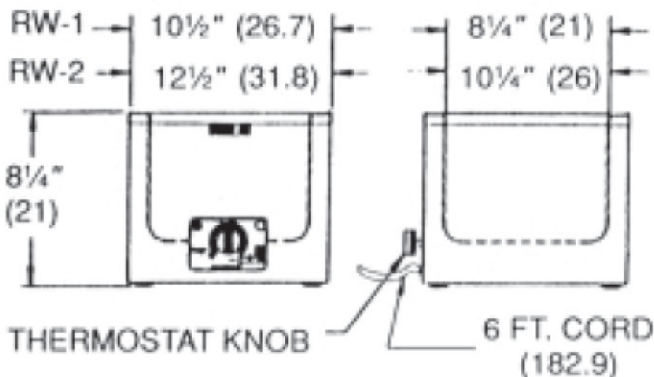
PRODUCT:

QUANTITY:

ITEM:



(Centimeters in Parenthesis)



## PRODUCT SPECIFICATIONS

### Construction:

Stainless steel housing; stainless steel liner, fiberglass insulation.

### Electrical Information:

Each unit is equipped with a 60", three wire grounded power cord which terminates with a standard three pronged male plug. The 120V unit uses a NEMA 5-15P plug.

### Electrical Specifications:

RW-1V: 120V, 500W, 4.2Amps  
 RW-2V: 120V, 700W, 5.8Amps  
 RW-2V: 220V, 700W, 1ph 50/60 HZ  
 (supplied with out electrical plug)

### Overall Dimensions:

RW-1V: 8 1/4" H x 10 1/2" D  
 (21cm x 26.7cm)  
 RW-2V: 8 1/2" H x 12 1/2" D  
 (21cm x 31.8cm)

### Capacity:

RW-1V: 7 qts. (6.6L)  
 RW-2V: 11 qts. (10.4L)

### Shipping Weight:

Standard	Special Pkg.*
RW-1V: 10 lbs. (4.5kg)	11 lbs. (5 kg)
RW-2V: 11 lbs. (5 kg)	12 lbs. (5.4 kg)

\*Special package includes inset, hinged cover and ladle.

F.O.B. Standex Dock

\*APW Wyott reserves the right to modify specifications or discontinue models without incurring obligation.