



**SUPER DECK
Y-DSP SERIES
GAS DISPLAY OVENS**



Model Y-602-DSP
with optional stone finish

SPECIFICATIONS

BAKERS PRIDE Y-DSP Display Ovens are ideal for display cooking and exhibition kitchens. These ovens are designed and engineered to be "built-in" behind brick, stone or tile applied directly to ovens exterior or finished and trimmed in brass, copper, stainless or powder-coated trim.

Ovens may be stacked two high. Oven exteriors are all heavy-gauge steel and are fully insulated up to 5" (127mm) thick for cooler outer temperatures and consistent interior temperatures.

Interior oven frame is constructed of 1/4" (6mm) heavy-duty angle iron frame, completely welded to form a single, unitized section. The oven body and lining are then welded to the framework.

Oven interiors are manufactured of high-heat resistant 16-gauge aluminized steel. Doors are fully insulated, spring balanced with natural black finish and custom wood handles.

Lintel plates support the masonry or tile for ease of installation. Standard features include dome top plus front and side skirts.

All models feature independent, operator-controlled top & bottom heat control dampers and micro slides for perfectly balanced results.

Y Series features a 300°-650° F (149°-343°C) throttling thermostat, 8" (203mm) interior deck height with 1 1/2" (38mm) thick hearth stone decks (steel decks optional) and are supported by a 1/4" (6mm) angle iron frame.

Combination gas control incorporates a manual gas valve, pilot safety and pressure regulator. Easily removable, slide-out, heavy-duty flame diverters distribute the burner flame uniformly in the burner chamber. A 3/4" (19mm) NPT gas connection is located on the left side and left rear of oven - operator/installer may choose.

Heavy-duty, 7-gauge hot rolled steel legs are standard and finished with durable Bakertone.

2 Year limited part and labor warranty standard.

Job _____ Item # _____

GAS DECK OVENS



- Model Y-600-DSP Single
- Model Y-602-DSP Double

- Model Y-800-DSP Single
- Model Y-802-DSP Double

STANDARD FEATURES

- Y Series @ 120,000 BTUH per deck, natural or LP gas
- 300°-650° F (149°-343°C) throttling thermostat
- Top & bottom heat control dampers & micro-slides
- Combination gas controls with valve, regulator & pilot safety
- Heavy-duty, slide-out flame diverters
- 8" (203mm) interior deck heights with 1 1/2" (38mm) thick hearth stone decks
- Black powder coated doors with custom hardwood handles or stainless doors with tubular steel handles
- Front or side mounted controls with large, hinged access cover door in black powder coat or stainless steel
- Dome top - removable for field installations
- Front & side skirts
- Aluminized steel interiors
- Spring balanced, fully insulated doors
- Rear gas connections
- 7-Gauge legs
- Fully insulated throughout
- 2 Year limited part and labor warranty

OPTIONS & ACCESSORIES

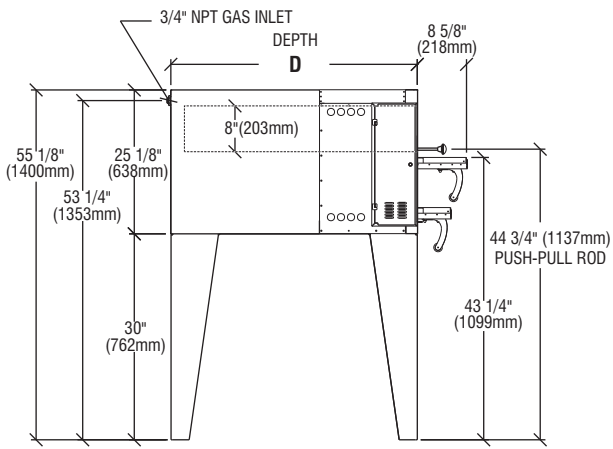
- Side-mounted controls
- Steel decks in lieu of hearth stone decks
- 150°-550° F (65°-288°C) thermostat
- Automatic oven starter
- Draft flue for direct vent (not available on CE units)
- Fire brick hearth decks (Y-600/602 only)
- Without dome and/or without skirts
- Set of 4 casters - two with locks - not for use with skirts

CERTIFICATIONS

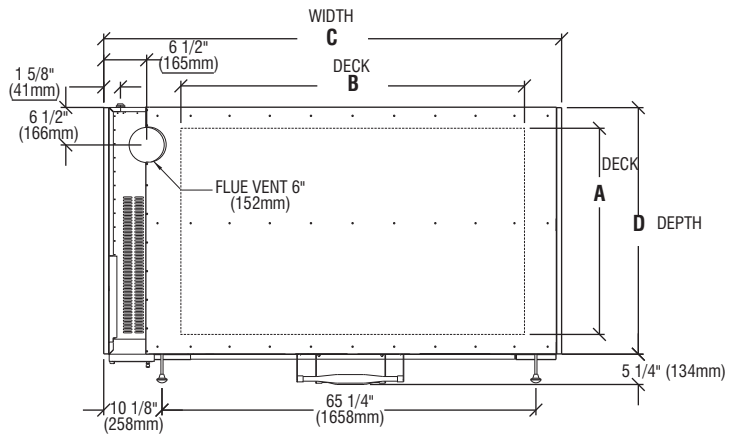


BAKERS PRIDE OVEN COMPANY, INC.
30 Pine Street, New Rochelle, NY 10801
914/576-0200 • 1-800-431-2745 • fax 914/576-0605
www.bakerspride.com

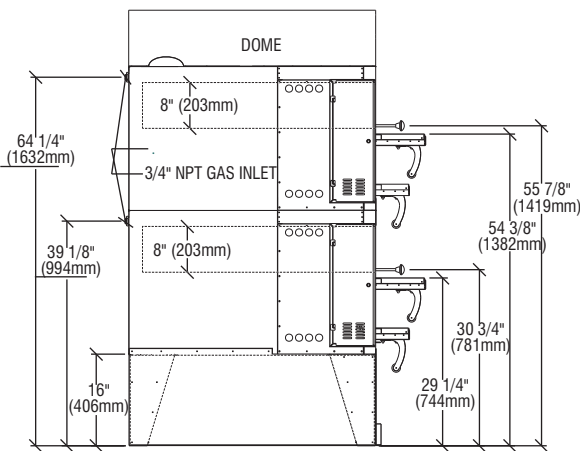
Continuous product improvement is a policy of Bakers Pride Oven Company. Therefore, specifications and design are subject to change without notification



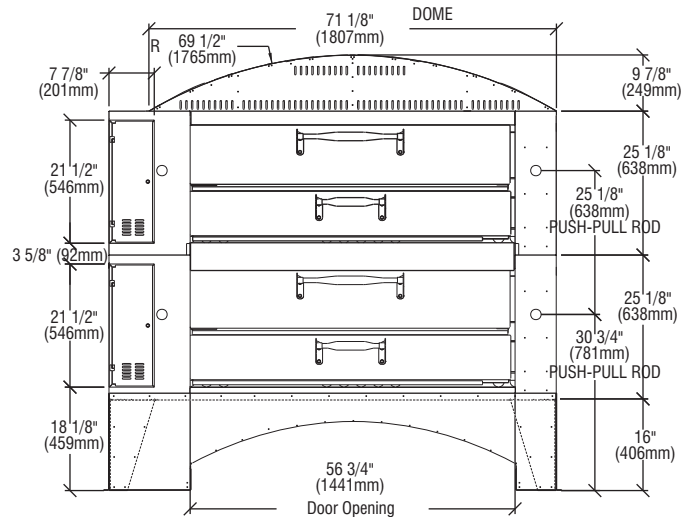
LEFT SIDE VIEW
Single Unit With Side Controls



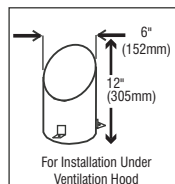
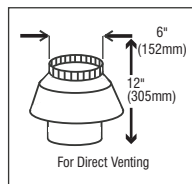
TOP VIEW



LEFT SIDE VIEW
Stacked Unit With Side Controls



FRONT VIEW
Stacked Unit With Front Controls



ALL DIMENSIONS NOMINAL

MUST BE SPECIFIED AT TIME OF ORDER

STANDARD

| SHIPPING INFORMATION | | | | | | | | | | |
|----------------------|-----------------|-------|-------------------|-----|--------------|------|---------------|------|-------------|------------|
| Model | Shipping Weight | | Carton Dimensions | | | | Crate Size | | Cubic Meter | |
| | Lbs. | Kilos | Width Inches | mm | Depth Inches | mm | Height Inches | mm | | Cubic Feet |
| Y-600-DSP | 1385 | 626 | 31 | 787 | 53 | 1364 | 82 | 2083 | 76 | 2.4 |
| Y-800-DSP | 1600 | 726 | 31 | 787 | 60 | 1365 | 86 | 2184 | 78 | 2.8 |

Each oven ships separately

Hearth Decks and Legs ship in separate cartons

| GAS SUPPLY | | | |
|------------|---------|-------|------------|
| Model | BTUH | KW | CONNECTION |
| Y-600-DSP | 120,000 | 35.15 | 3/4" |
| Y-602-DSP | 240,000 | 70.30 | 3/4" |
| Y-800-DSP | 120,000 | 35.15 | 3/4" |
| Y-802-DSP | 240,000 | 70.30 | 3/4" |

CE certification not available in LP gas
Each deck requires a separate gas connection

| SPECIFICATIONS | | | | | | | | | |
|----------------|------------|-------------|---------|--------------------|------|--------|------|---------|------|
| Model | Deck Sizes | | # Decks | Overall Dimensions | | | | Height* | |
| | A x B | mm | | Inches | mm | Inches | mm | | |
| Y-600-DSP | 36 x 60 | 914 x 1524 | 1 | 78 | 1981 | 43 | 1092 | 55 1/8 | 1400 |
| Y-602-DSP | 36 x 60 | 914 x 1524 | 2 | 78 | 1981 | 43 | 1092 | 66 1/4 | 1683 |
| Y-800-DSP | 44 x 66 | 1118 x 1676 | 1 | 84 | 2134 | 51 | 1295 | 55 1/8 | 1400 |
| Y-802-DSP | 44 x 66 | 1118 x 1676 | 2 | 84 | 2134 | 51 | 1295 | 66 1/4 | 1683 |

* Overall height excludes dome top

| MINIMUM CLEARANCES | | | | |
|--------------------|-----------------------------|----|--------------------------|----|
| | Noncombustible Construction | | Combustible Construction | |
| | Inches | mm | Inches | mm |
| Right | 0 | 0 | 1 | 25 |
| Left | 0 | 0 | 3 | 76 |
| Rear | 2 | 51 | 3 | 76 |



BAKERS PRIDE OVEN COMPANY, INC.
30 Pine Street, New Rochelle, NY 10801
914/576-0200 • 1-800-431-2745 • fax 914/576-0605
www.bakerspride.com

Continuous product improvement is a policy of Bakers Pride Oven Company. Therefore, specifications and design are subject to change without notification

SDECK-Y-600-800-DSP — TSW/05/08

SPECIFICATION / ORDER GUIDE CHECK LIST



| | |
|--|---------------------|
| | Date: _____ |
| | Dealer Name: _____ |
| | Project Name: _____ |
| | P. O. Number: _____ |
| | Signature: _____ |

| MODEL (Choose One) | | |
|--------------------------|------------|--------|
| <input type="checkbox"/> | DS-805-DSP | Single |
| <input type="checkbox"/> | D-125-DSP | Single |
| <input type="checkbox"/> | Y-600DSP | Single |
| <input type="checkbox"/> | Y-800DSP | Single |
| <input type="checkbox"/> | DS-990-DSP | Double |
| <input type="checkbox"/> | D-250-DSP | Double |
| <input type="checkbox"/> | Y-602DSP | Double |
| <input type="checkbox"/> | Y-802DSP | Double |

| How do you intend to finish/build-in your oven(s)? (Choose One) | |
|-----------------------------------------------------------------|-----------------------------------------------------------------------|
| <input type="checkbox"/> | As Is / Decorative Exterior Trim - Casters optional |
| <input type="checkbox"/> | DSP Style - Apply tile/stone directly on to oven(s) - Skirts provided |

| Single Oven or Upper Oven of Stacked Installation | | | | | | | | | | | | | | | | | | | | | | | | | | | | | | | | | | | | | | | | | | | | | | | | | | | | | | | | |
|-----------------------------------------------------------------------------------------------------------------------------------------------------------------------------------------------------------------------------------------------------------------------------------------------------------------------------------------------------------------------------------------------------------------------------------------------------------------------------------------------------------------------------------------------------------------------------------------------------------------------------------------------------------------------------------------------------------------------------------------------------------------------------------------------------------------------------------------------------------|----------------------------------------|--|--------------------------|---------------|--------------------------|--------------|----------------------------------------|--|--------------------------|---------------------|--------------------------|-----------------|--------------------------------------------|--|--------------------------|---------------------|--------------------------|-----------------|------------------------------------------------------------------------------------------------------------------------------------------------------------------------------------------------------------------------------------------------------------------------------------------------------------------------------------------------------------------------------------------------------------------------------------------------------------------------------------------------------------------------------------------------------------------------------------------------------------------------------------------------------------------------------------------------------------------------------------------------------------------------------------------------------------------------------------------------------------|--------------------------------|--|--------------------------|---------------------|--------------------------|-----------------|--------------------|--|------------------------------------------------------|--|--------------------------|-----|--------------------------|----|-----------------------|--|--------------------------|-------------|--------------------------|----------|--------------------------------------------------------------------------------------------------------------------------------------------------------------------------------------------------------------------------------------------------------------------------------------------------------------------------------------------------------------------------------------------------------------------------------------------------------------------------------------------------------------------------------------------------------------------------------------------------------------------------------------------------------------------------------------------------------------------------------------------|-----------------------------------|--|---------------------------------------------------------------------------|--|--------------------------|-----|--------------------------|----|-------------------------------------|--|------------------------------------------------------------------------------------------|--|--------------------------|-----|--------------------------|----|
| <table border="1"> <thead> <tr> <th colspan="2">Hinged Control Panel Door (Choose One)</th> </tr> </thead> <tbody> <tr> <td><input type="checkbox"/></td> <td>Front Mounted</td> </tr> <tr> <td><input type="checkbox"/></td> <td>Side Mounted</td> </tr> </tbody> </table> <table border="1"> <thead> <tr> <th colspan="2">Hinged Control Panel Door (Choose One)</th> </tr> </thead> <tbody> <tr> <td><input type="checkbox"/></td> <td>Black Powder Coated</td> </tr> <tr> <td><input type="checkbox"/></td> <td>Stainless Steel</td> </tr> </tbody> </table> <table border="1"> <thead> <tr> <th colspan="2">Lower Combustion Chamber Door (Choose One)</th> </tr> </thead> <tbody> <tr> <td><input type="checkbox"/></td> <td>Black Powder Coated</td> </tr> <tr> <td><input type="checkbox"/></td> <td>Stainless Steel</td> </tr> </tbody> </table> | Hinged Control Panel Door (Choose One) | | <input type="checkbox"/> | Front Mounted | <input type="checkbox"/> | Side Mounted | Hinged Control Panel Door (Choose One) | | <input type="checkbox"/> | Black Powder Coated | <input type="checkbox"/> | Stainless Steel | Lower Combustion Chamber Door (Choose One) | | <input type="checkbox"/> | Black Powder Coated | <input type="checkbox"/> | Stainless Steel | <table border="1"> <thead> <tr> <th colspan="2">Bake Chamber Door (Choose One)</th> </tr> </thead> <tbody> <tr> <td><input type="checkbox"/></td> <td>Black Powder Coated</td> </tr> <tr> <td><input type="checkbox"/></td> <td>Stainless Steel</td> </tr> </tbody> </table> <table border="1"> <thead> <tr> <th colspan="2">Casters (Set of 4)</th> </tr> </thead> <tbody> <tr> <td colspan="2"><i>Not suitable for DSP style finish with skirts</i></td> </tr> <tr> <td><input type="checkbox"/></td> <td>Yes</td> </tr> <tr> <td><input type="checkbox"/></td> <td>No</td> </tr> </tbody> </table> <table border="1"> <thead> <tr> <th colspan="2">Gas Type (Choose One)</th> </tr> </thead> <tbody> <tr> <td><input type="checkbox"/></td> <td>Natural Gas</td> </tr> <tr> <td><input type="checkbox"/></td> <td>L.P. Gas</td> </tr> </tbody> </table> | Bake Chamber Door (Choose One) | | <input type="checkbox"/> | Black Powder Coated | <input type="checkbox"/> | Stainless Steel | Casters (Set of 4) | | <i>Not suitable for DSP style finish with skirts</i> | | <input type="checkbox"/> | Yes | <input type="checkbox"/> | No | Gas Type (Choose One) | | <input type="checkbox"/> | Natural Gas | <input type="checkbox"/> | L.P. Gas | <table border="1"> <thead> <tr> <th colspan="2">Automatic Oven Starter (Optional)</th> </tr> </thead> <tbody> <tr> <td colspan="2"><i>Allows operator to establish automatic oven start & stop times</i></td> </tr> <tr> <td><input type="checkbox"/></td> <td>Yes</td> </tr> <tr> <td><input type="checkbox"/></td> <td>No</td> </tr> </tbody> </table> <table border="1"> <thead> <tr> <th colspan="2">Decorative Upper Riser Panel / Dome</th> </tr> </thead> <tbody> <tr> <td colspan="2"><i>Note: Curved Dome on "Y" Series Ovens & Rectangular Riser on "D" Series Ovens</i></td> </tr> <tr> <td><input type="checkbox"/></td> <td>Yes</td> </tr> <tr> <td><input type="checkbox"/></td> <td>No</td> </tr> </tbody> </table> | Automatic Oven Starter (Optional) | | <i>Allows operator to establish automatic oven start & stop times</i> | | <input type="checkbox"/> | Yes | <input type="checkbox"/> | No | Decorative Upper Riser Panel / Dome | | <i>Note: Curved Dome on "Y" Series Ovens & Rectangular Riser on "D" Series Ovens</i> | | <input type="checkbox"/> | Yes | <input type="checkbox"/> | No |
| Hinged Control Panel Door (Choose One) | | | | | | | | | | | | | | | | | | | | | | | | | | | | | | | | | | | | | | | | | | | | | | | | | | | | | | | | |
| <input type="checkbox"/> | Front Mounted | | | | | | | | | | | | | | | | | | | | | | | | | | | | | | | | | | | | | | | | | | | | | | | | | | | | | | | |
| <input type="checkbox"/> | Side Mounted | | | | | | | | | | | | | | | | | | | | | | | | | | | | | | | | | | | | | | | | | | | | | | | | | | | | | | | |
| Hinged Control Panel Door (Choose One) | | | | | | | | | | | | | | | | | | | | | | | | | | | | | | | | | | | | | | | | | | | | | | | | | | | | | | | | |
| <input type="checkbox"/> | Black Powder Coated | | | | | | | | | | | | | | | | | | | | | | | | | | | | | | | | | | | | | | | | | | | | | | | | | | | | | | | |
| <input type="checkbox"/> | Stainless Steel | | | | | | | | | | | | | | | | | | | | | | | | | | | | | | | | | | | | | | | | | | | | | | | | | | | | | | | |
| Lower Combustion Chamber Door (Choose One) | | | | | | | | | | | | | | | | | | | | | | | | | | | | | | | | | | | | | | | | | | | | | | | | | | | | | | | | |
| <input type="checkbox"/> | Black Powder Coated | | | | | | | | | | | | | | | | | | | | | | | | | | | | | | | | | | | | | | | | | | | | | | | | | | | | | | | |
| <input type="checkbox"/> | Stainless Steel | | | | | | | | | | | | | | | | | | | | | | | | | | | | | | | | | | | | | | | | | | | | | | | | | | | | | | | |
| Bake Chamber Door (Choose One) | | | | | | | | | | | | | | | | | | | | | | | | | | | | | | | | | | | | | | | | | | | | | | | | | | | | | | | | |
| <input type="checkbox"/> | Black Powder Coated | | | | | | | | | | | | | | | | | | | | | | | | | | | | | | | | | | | | | | | | | | | | | | | | | | | | | | | |
| <input type="checkbox"/> | Stainless Steel | | | | | | | | | | | | | | | | | | | | | | | | | | | | | | | | | | | | | | | | | | | | | | | | | | | | | | | |
| Casters (Set of 4) | | | | | | | | | | | | | | | | | | | | | | | | | | | | | | | | | | | | | | | | | | | | | | | | | | | | | | | | |
| <i>Not suitable for DSP style finish with skirts</i> | | | | | | | | | | | | | | | | | | | | | | | | | | | | | | | | | | | | | | | | | | | | | | | | | | | | | | | | |
| <input type="checkbox"/> | Yes | | | | | | | | | | | | | | | | | | | | | | | | | | | | | | | | | | | | | | | | | | | | | | | | | | | | | | | |
| <input type="checkbox"/> | No | | | | | | | | | | | | | | | | | | | | | | | | | | | | | | | | | | | | | | | | | | | | | | | | | | | | | | | |
| Gas Type (Choose One) | | | | | | | | | | | | | | | | | | | | | | | | | | | | | | | | | | | | | | | | | | | | | | | | | | | | | | | | |
| <input type="checkbox"/> | Natural Gas | | | | | | | | | | | | | | | | | | | | | | | | | | | | | | | | | | | | | | | | | | | | | | | | | | | | | | | |
| <input type="checkbox"/> | L.P. Gas | | | | | | | | | | | | | | | | | | | | | | | | | | | | | | | | | | | | | | | | | | | | | | | | | | | | | | | |
| Automatic Oven Starter (Optional) | | | | | | | | | | | | | | | | | | | | | | | | | | | | | | | | | | | | | | | | | | | | | | | | | | | | | | | | |
| <i>Allows operator to establish automatic oven start & stop times</i> | | | | | | | | | | | | | | | | | | | | | | | | | | | | | | | | | | | | | | | | | | | | | | | | | | | | | | | | |
| <input type="checkbox"/> | Yes | | | | | | | | | | | | | | | | | | | | | | | | | | | | | | | | | | | | | | | | | | | | | | | | | | | | | | | |
| <input type="checkbox"/> | No | | | | | | | | | | | | | | | | | | | | | | | | | | | | | | | | | | | | | | | | | | | | | | | | | | | | | | | |
| Decorative Upper Riser Panel / Dome | | | | | | | | | | | | | | | | | | | | | | | | | | | | | | | | | | | | | | | | | | | | | | | | | | | | | | | | |
| <i>Note: Curved Dome on "Y" Series Ovens & Rectangular Riser on "D" Series Ovens</i> | | | | | | | | | | | | | | | | | | | | | | | | | | | | | | | | | | | | | | | | | | | | | | | | | | | | | | | | |
| <input type="checkbox"/> | Yes | | | | | | | | | | | | | | | | | | | | | | | | | | | | | | | | | | | | | | | | | | | | | | | | | | | | | | | |
| <input type="checkbox"/> | No | | | | | | | | | | | | | | | | | | | | | | | | | | | | | | | | | | | | | | | | | | | | | | | | | | | | | | | |

| Lower Oven of Stacked Installation | | Legs | | | | | | | | | | | | | | | | | | | | | | | | | | | | | | | | | | | | | | | | | | | | | | | | | | | | | | | | |
|----------------------------------------------------------------------------------------------------------------------------------------------------------------------------------------------------------------------------------------------------------------------------------------------------------------------------------------------------------------------------------------------------------------------------------------------------------------------------------------------------------------------------------------------------------------------------------------------------------------------------------------------------------------------------------------------------------------------------------------------------------------------------------------------------------------------------------------------------------------------------------------------------------------------------------------------------------------------------------------------------------------------------------------------------------------------------------------------------------------|--------------------------------------------------------------|------|--------------------------|---------------|--------------------------|--------------|----------------------------------------|--|--------------------------|---------------------|--------------------------|-----------------|--------------------------------------------|--|--------------------------|---------------------|--------------------------|-----------------|-----------------------|--|--------------------------|-------------|--------------------------|----------|--------------------------------------------------------------------------------------------------------------------------------------------------------------------------------------------------------------------------------------------------------------------------------------------------------------------------------------------------------------------------------------------------------------------------------------------------------------------------------------------------------------------------------------------------------------------------------------------------------------------------------------------------------------------------------------------------------------------------------------------------------------------------------------------------------------------------------------------------------------------------------------------------------------------------------------------------------------------|--------------------------------|--|--------------------------|---------------------|--------------------------|-----------------|-----------------------------------|--|---------------------------------------------------------------------------|--|--------------------------|-----|--------------------------|----|--------------------|--|------------------------------------------------------|--|--------------------------|-----|--------------------------|----|---------------------------------------------------------------------------------------------------------------------------------------------------------------------------------------------------------------------------------------------------------------------------------------------------------------------------------------------------------------------------------------------------------------------------------------------------------------------------------------------------------------------------------------------------------------------------------------|-----------------------------------------------------------------------|--|--------------------------|------------------------------------------|--------------------------|-------------------------------------------------------|--------------------------|-------------------------------|--------------------------|--------------------------------------------------------------|
| <table border="1"> <thead> <tr> <th colspan="2">Hinged Control Panel Door (Choose One)</th> </tr> </thead> <tbody> <tr> <td><input type="checkbox"/></td> <td>Front Mounted</td> </tr> <tr> <td><input type="checkbox"/></td> <td>Side Mounted</td> </tr> </tbody> </table> <table border="1"> <thead> <tr> <th colspan="2">Hinged Control Panel Door (Choose One)</th> </tr> </thead> <tbody> <tr> <td><input type="checkbox"/></td> <td>Black Powder Coated</td> </tr> <tr> <td><input type="checkbox"/></td> <td>Stainless Steel</td> </tr> </tbody> </table> <table border="1"> <thead> <tr> <th colspan="2">Lower Combustion Chamber Door (Choose One)</th> </tr> </thead> <tbody> <tr> <td><input type="checkbox"/></td> <td>Black Powder Coated</td> </tr> <tr> <td><input type="checkbox"/></td> <td>Stainless Steel</td> </tr> </tbody> </table> <table border="1"> <thead> <tr> <th colspan="2">Gas Type (Choose One)</th> </tr> </thead> <tbody> <tr> <td><input type="checkbox"/></td> <td>Natural Gas</td> </tr> <tr> <td><input type="checkbox"/></td> <td>L.P. Gas</td> </tr> </tbody> </table> | Hinged Control Panel Door (Choose One) | | <input type="checkbox"/> | Front Mounted | <input type="checkbox"/> | Side Mounted | Hinged Control Panel Door (Choose One) | | <input type="checkbox"/> | Black Powder Coated | <input type="checkbox"/> | Stainless Steel | Lower Combustion Chamber Door (Choose One) | | <input type="checkbox"/> | Black Powder Coated | <input type="checkbox"/> | Stainless Steel | Gas Type (Choose One) | | <input type="checkbox"/> | Natural Gas | <input type="checkbox"/> | L.P. Gas | <table border="1"> <thead> <tr> <th colspan="2">Bake Chamber Door (Choose One)</th> </tr> </thead> <tbody> <tr> <td><input type="checkbox"/></td> <td>Black Powder Coated</td> </tr> <tr> <td><input type="checkbox"/></td> <td>Stainless Steel</td> </tr> </tbody> </table> <table border="1"> <thead> <tr> <th colspan="2">Automatic Oven Starter (Optional)</th> </tr> </thead> <tbody> <tr> <td colspan="2"><i>Allows operator to establish automatic oven start & stop times</i></td> </tr> <tr> <td><input type="checkbox"/></td> <td>Yes</td> </tr> <tr> <td><input type="checkbox"/></td> <td>No</td> </tr> </tbody> </table> <table border="1"> <thead> <tr> <th colspan="2">Casters (Set of 4)</th> </tr> </thead> <tbody> <tr> <td colspan="2"><i>Not suitable for DSP style finish with skirts</i></td> </tr> <tr> <td><input type="checkbox"/></td> <td>Yes</td> </tr> <tr> <td><input type="checkbox"/></td> <td>No</td> </tr> </tbody> </table> | Bake Chamber Door (Choose One) | | <input type="checkbox"/> | Black Powder Coated | <input type="checkbox"/> | Stainless Steel | Automatic Oven Starter (Optional) | | <i>Allows operator to establish automatic oven start & stop times</i> | | <input type="checkbox"/> | Yes | <input type="checkbox"/> | No | Casters (Set of 4) | | <i>Not suitable for DSP style finish with skirts</i> | | <input type="checkbox"/> | Yes | <input type="checkbox"/> | No | <table border="1"> <thead> <tr> <th colspan="2">Legs (total height with or without casters) included. Please specify.</th> </tr> </thead> <tbody> <tr> <td><input type="checkbox"/></td> <td>30" (Standard on all single deck models)</td> </tr> <tr> <td><input type="checkbox"/></td> <td>16" (Standard on all double deck models except D-250)</td> </tr> <tr> <td><input type="checkbox"/></td> <td>12" (Standard on model D-250)</td> </tr> <tr> <td><input type="checkbox"/></td> <td>Special height legs - specify length - optional extra charge</td> </tr> </tbody> </table> | Legs (total height with or without casters) included. Please specify. | | <input type="checkbox"/> | 30" (Standard on all single deck models) | <input type="checkbox"/> | 16" (Standard on all double deck models except D-250) | <input type="checkbox"/> | 12" (Standard on model D-250) | <input type="checkbox"/> | Special height legs - specify length - optional extra charge |
| Hinged Control Panel Door (Choose One) | | | | | | | | | | | | | | | | | | | | | | | | | | | | | | | | | | | | | | | | | | | | | | | | | | | | | | | | | | |
| <input type="checkbox"/> | Front Mounted | | | | | | | | | | | | | | | | | | | | | | | | | | | | | | | | | | | | | | | | | | | | | | | | | | | | | | | | | |
| <input type="checkbox"/> | Side Mounted | | | | | | | | | | | | | | | | | | | | | | | | | | | | | | | | | | | | | | | | | | | | | | | | | | | | | | | | | |
| Hinged Control Panel Door (Choose One) | | | | | | | | | | | | | | | | | | | | | | | | | | | | | | | | | | | | | | | | | | | | | | | | | | | | | | | | | | |
| <input type="checkbox"/> | Black Powder Coated | | | | | | | | | | | | | | | | | | | | | | | | | | | | | | | | | | | | | | | | | | | | | | | | | | | | | | | | | |
| <input type="checkbox"/> | Stainless Steel | | | | | | | | | | | | | | | | | | | | | | | | | | | | | | | | | | | | | | | | | | | | | | | | | | | | | | | | | |
| Lower Combustion Chamber Door (Choose One) | | | | | | | | | | | | | | | | | | | | | | | | | | | | | | | | | | | | | | | | | | | | | | | | | | | | | | | | | | |
| <input type="checkbox"/> | Black Powder Coated | | | | | | | | | | | | | | | | | | | | | | | | | | | | | | | | | | | | | | | | | | | | | | | | | | | | | | | | | |
| <input type="checkbox"/> | Stainless Steel | | | | | | | | | | | | | | | | | | | | | | | | | | | | | | | | | | | | | | | | | | | | | | | | | | | | | | | | | |
| Gas Type (Choose One) | | | | | | | | | | | | | | | | | | | | | | | | | | | | | | | | | | | | | | | | | | | | | | | | | | | | | | | | | | |
| <input type="checkbox"/> | Natural Gas | | | | | | | | | | | | | | | | | | | | | | | | | | | | | | | | | | | | | | | | | | | | | | | | | | | | | | | | | |
| <input type="checkbox"/> | L.P. Gas | | | | | | | | | | | | | | | | | | | | | | | | | | | | | | | | | | | | | | | | | | | | | | | | | | | | | | | | | |
| Bake Chamber Door (Choose One) | | | | | | | | | | | | | | | | | | | | | | | | | | | | | | | | | | | | | | | | | | | | | | | | | | | | | | | | | | |
| <input type="checkbox"/> | Black Powder Coated | | | | | | | | | | | | | | | | | | | | | | | | | | | | | | | | | | | | | | | | | | | | | | | | | | | | | | | | | |
| <input type="checkbox"/> | Stainless Steel | | | | | | | | | | | | | | | | | | | | | | | | | | | | | | | | | | | | | | | | | | | | | | | | | | | | | | | | | |
| Automatic Oven Starter (Optional) | | | | | | | | | | | | | | | | | | | | | | | | | | | | | | | | | | | | | | | | | | | | | | | | | | | | | | | | | | |
| <i>Allows operator to establish automatic oven start & stop times</i> | | | | | | | | | | | | | | | | | | | | | | | | | | | | | | | | | | | | | | | | | | | | | | | | | | | | | | | | | | |
| <input type="checkbox"/> | Yes | | | | | | | | | | | | | | | | | | | | | | | | | | | | | | | | | | | | | | | | | | | | | | | | | | | | | | | | | |
| <input type="checkbox"/> | No | | | | | | | | | | | | | | | | | | | | | | | | | | | | | | | | | | | | | | | | | | | | | | | | | | | | | | | | | |
| Casters (Set of 4) | | | | | | | | | | | | | | | | | | | | | | | | | | | | | | | | | | | | | | | | | | | | | | | | | | | | | | | | | | |
| <i>Not suitable for DSP style finish with skirts</i> | | | | | | | | | | | | | | | | | | | | | | | | | | | | | | | | | | | | | | | | | | | | | | | | | | | | | | | | | | |
| <input type="checkbox"/> | Yes | | | | | | | | | | | | | | | | | | | | | | | | | | | | | | | | | | | | | | | | | | | | | | | | | | | | | | | | | |
| <input type="checkbox"/> | No | | | | | | | | | | | | | | | | | | | | | | | | | | | | | | | | | | | | | | | | | | | | | | | | | | | | | | | | | |
| Legs (total height with or without casters) included. Please specify. | | | | | | | | | | | | | | | | | | | | | | | | | | | | | | | | | | | | | | | | | | | | | | | | | | | | | | | | | | |
| <input type="checkbox"/> | 30" (Standard on all single deck models) | | | | | | | | | | | | | | | | | | | | | | | | | | | | | | | | | | | | | | | | | | | | | | | | | | | | | | | | | |
| <input type="checkbox"/> | 16" (Standard on all double deck models except D-250) | | | | | | | | | | | | | | | | | | | | | | | | | | | | | | | | | | | | | | | | | | | | | | | | | | | | | | | | | |
| <input type="checkbox"/> | 12" (Standard on model D-250) | | | | | | | | | | | | | | | | | | | | | | | | | | | | | | | | | | | | | | | | | | | | | | | | | | | | | | | | | |
| <input type="checkbox"/> | Special height legs - specify length - optional extra charge | | | | | | | | | | | | | | | | | | | | | | | | | | | | | | | | | | | | | | | | | | | | | | | | | | | | | | | | | |

NOTE: See specification sheets for additional options & accessories.