

Camcruiser® Vending Cart

Model CVC55

Features & Benefits



- Load this foodservice merchandising cart with pizza, hot dogs, nachos, chips, smoothies and/or soft drinks. Transports easily for added sales and increased convenience.
- Double-wall, high-density, polyethylene construction is impact resistant and will not dent, crack, bubble, chip or break. Can be wiped or steam cleaned.
- Polyurethane foam-insulation provides added strength and durability.
- Wide solid work area holds appliances, including a soft drink dispenser. Area includes one 4" x 6³/₄" (10,2 x 17,1 cm) separate opening for electrical cord. Cover for opening is included.
- One top counter well holds 1 each GN Full Size Food Pan, up to 8" (20 cm) deep or Fractional Size Food Pans with DIV12 Divider Bars. Polyethylene cutting board in included with cart and may be placed over well to increase work space. Optional well covers may also be used.
- Two open holding compartments on the bottom serving side provide ample storage space.
- Removable 5' (152 cm) umbrella comes in a variety of standard colors.
- Large merchandising front panel is standard and can be personalized as an option.
- Molded-in handles on both sides provided comfortable easy transporting.
- Four each 6" (15,2 cm) casters, 2 fixed and 2 swivel 1 w/ brake, ensure easy maneuvering.
- Non-electrical.
- Some assembly required.
- Available in 8 colors.

Item No. _____

Specifier Identification No. _____

Model No. _____

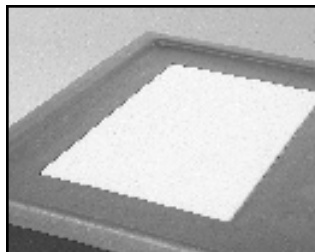
Quantity _____



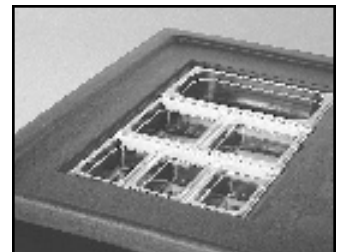
CVC55



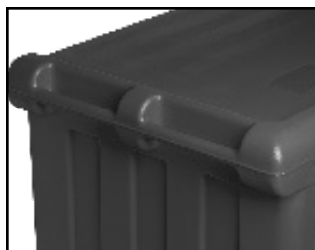
Soft Drink
Camcruiser
Vending Cart



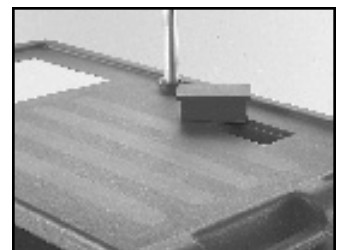
White FDA Approved Polyethylene
Cutting Board



Countertop well holds 1 each GN 1/1
Full Size Pan or Fractional Size Food
Pans w/ Divider Bar



Molded-in handles provide easy
maneuvering



4" x 6³/₄" (10,2 x 17,1 cm) opening for
electrical or soda lines

Camcruiser® Vending Cart

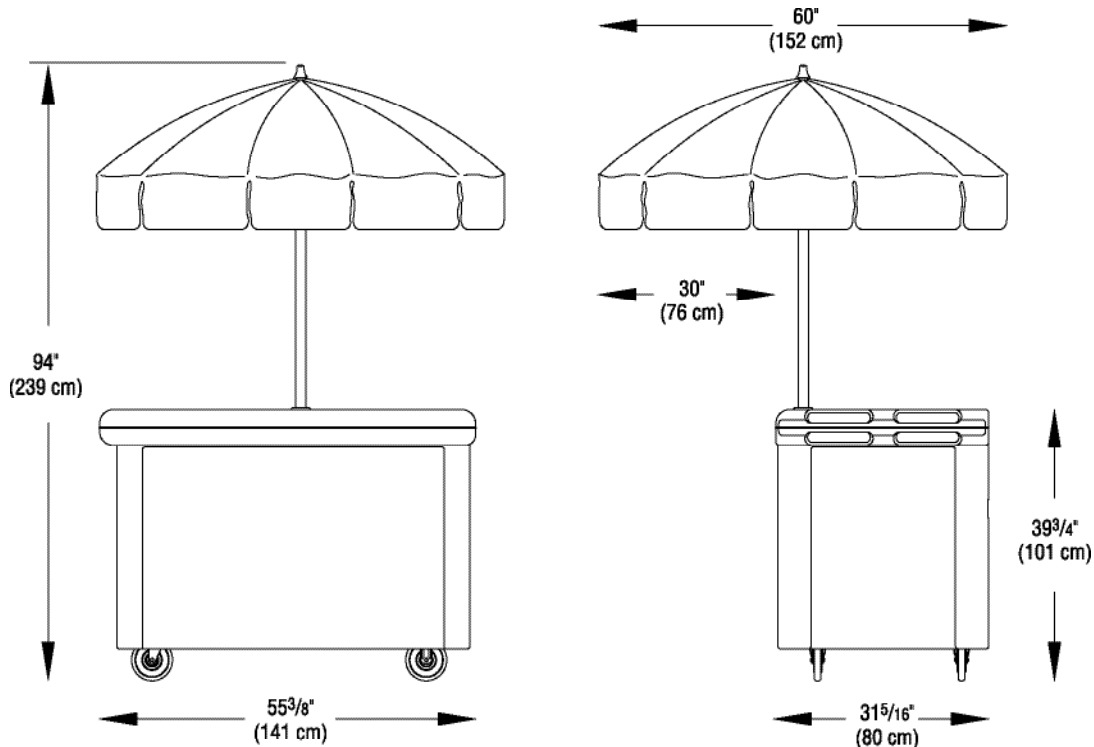
Model CVC55

Item No. _____

Specifier Identification No. _____

Model No. _____

Quantity _____



CVC55

Specifications

Dimension Tolerance: +/- 1/4" (0,64 cm)

Code	Description	Overall Dimensions L x W x H (With Umbrella)	Case lbs./cube Kg/m ³
CVC55	Camcruiser Vending Cart	55 3/8" x 60" x 94" (141 x 152 x 239 cm)	175 (46.52) 80 (1,3)

Optional Accessories

- Divider Bar DIV12 White (148) Clear (135)
- Cutting Board CB1220 White (148) (1 included)
- Retainer Strap 730STP
- Well Cover WCR1220

Standard Colors

Camcruiser Vending Cart:

- Granite Gray (191) w/ Black Umbrella Granite Green (192) w/ Green Umbrella
- Granite Red (193) w/ Black Umbrella Granite Sand (194) w/ Black Umbrella
- Black (110) w/ Black/White Umbrella Blue (187) w/ Blue/White Umbrella
- Red (158) w/ Red/White Umbrella Green (519) w/ Green/White Umbrella

Well Cover:

- Black (110) Red (158) Blue (187)
- Green (519) Granite Gray (191) Granite Green (192)
- Granite Red (193) Granite Sand (194)

Architect Specs

The portable foodservice cart shall be a Camcruiser Vending Cart, Model CVC55, manufactured by Cambro Mfg. Co., Huntington Beach, CA 92648 U.S.A. It shall be made of polyethylene and foam-injected polyurethane. It shall have molded-in handles on both sides for easy maneuvering. It shall have 4 each 6" (15,2 cm) casters, 2 swivel 1 w/ brake and 2 fixed, on an aluminum chassis. It shall have a single counter well to hold one GN 1/1 Full Size Food Pan, up to 8" (20 cm) deep. It shall include an FDA approved polyethylene cutting board and shall come with the optional color matching Well Covers. It shall have 2 open storage compartments for supplies. It shall come with a 5 ft. (152,4 cm) umbrella and a large front merchandising panel and each can be customized with a logo or name. It shall be offered in 8 colors.