

Ice Caddies

Slant Top

100 lb. (45,5 Kg.) Capacity

Models ICS100L, ICS100L4S

Features & Benefits

StoreSafe

- New addition to Cambro family of rugged Ice Caddies. Stands just 28 3/4" (73 cm) high. Fits perfectly under standard height prep tables, counter tops, beverage banquet tables and under the connecting bridge of the CamKiosk™ System. Merchandises well with Cambars™.
- Double-wall, high-density, polyethylene construction is impact resistant and will not dent, crack, bubble, chip or break. Cleans easily.
- Thick polyurethane foam insulation keeps ice frozen for days! Reduces frequency of restocking, ensuring quick and convenient service.
- Unique slant top lid slides up and back into the secured lid for easy access to ice.
- Holds up to 100 lbs. (45,5 kg.) of ice.
- Four sturdy thumbscrews secure top tightly during transport and when sliding top back.
- Durable, nylon front latch secures lid in place during transportation and protects contents when ice caddy is not in use. Ensures excellent temperature holding performance. Will not rust.
- NSF listed, no-drip, recessed, threaded faucet with standard hose hook up makes draining and cleaning quick and convenient.
- Includes one unbreakable polycarbonate drain shelf for instant water drainage so that ice lasts longer.
- Molded-in side grips are sturdy and will not break off. Provides controlled handling and maneuvering.
- Lift grips on front and back offer comfortable lifting on or off transport vehicles.
- Four 5" (12,7 cm) casters for smooth maneuvering poolside, across campus or over banquet floors. Front swivel casters have locking brakes.
 - Model ICS100L - 2 fixed, 2 swivel w/ brake.
 - Model ICS100L4S - 4 swivel, 2 w/ brakes.
- No assembly required.
- Available in 13 colors.

Item No. _____

Specifier Identification No. _____

Model No. _____

Quantity _____



ICS100L



ICS100L4S

ICS100L

Approvals



Ice Caddies

Slant Top

100 lb. (45,5 Kg.) Capacity

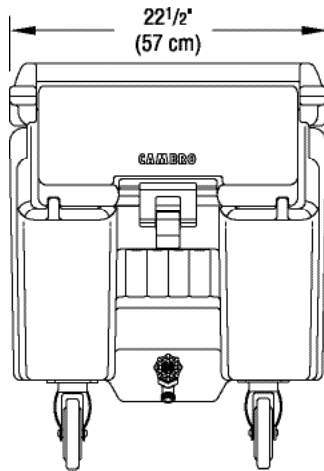
Models ICS100L, ICS100L4S

Item No. _____

Specifier Identification No. _____

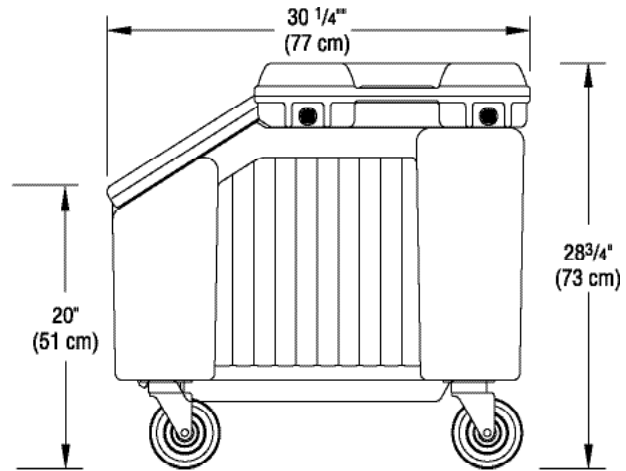
Model No. _____

Quantity _____



Width

ICS100L & ICS100L4S



Depth

Specifications

Dimension Tolerance: +/- 1/4" (0,64 cm)

Code	Description	Interior Dimensions W x D x H	Exterior Dimensions W x D x H	Case lbs./cube Kg/m ³
ICS100L	Slant Top Ice Caddy	15 1/2" x 23 7/8" x 12 5/8"-17 1/8" (39 x 61 x 30 - 45 cm)	22 1/2" x 30 1/4" x 28 3/4" (57 x 77 x 73 cm)	53 (11.10) 24 (0,3)
ICS100L4S	Slant Top Ice Caddy	15 1/2" x 23 7/8" x 12 5/8"-17 1/8" (39 x 61 x 30 - 45 cm)	22 1/2" x 30 1/4" x 28 3/4" (57 x 77 x 73 cm)	53 (11.10) 24 (0,3)

Architect Specs

The Slant Top 100 lb. (45,5 Kg.) capacity Ice Caddy shall be a Cambro Model....., manufactured by Cambro Mfg. Co., Huntington Beach, CA 92648. It shall be constructed of double-wall, high-density polyethylene and thick foam injected polyurethane. It shall have rounded corners and molded-in side grips. It shall have 4 sturdy thumbscrews to secure top lid tightly in place for safe transporting. It shall have a front nylon latch. It shall be 28 3/4" (73 cm) high. It shall have a NSF listed, no-drip, recessed, threaded faucet with standard hose hook up. It shall include one polycarbonate interior drain shelf. It shall be available with 4 each 5" (12,7 cm) wheels and 2 locking front brakes. It shall not require any assembly and shall be available in 13 colors.

Standard Colors

- Black (110)
- Cold Blue (159)
- Gray (180)
- Granite Gray (191)
- Granite Red (193)
- Dusty Rose (400)
- Dark Brown (131)
- Brick Red (402)
- Granite Green (192)
- Granite Sand (194)
- Slate Blue (401)
- Coffee Beige (157)
- Navy Blue (186)

Approvals

