



Meal Delivery Carts

Tall Profile, Triple Door, 30 Tray Capacity

Models MDC1418T30
MDC1520T30



Features & Benefits

- Durable carts designed to specifically meet the meal delivery needs of hospitals (acute care), long term care and correctional facilities.
- Designed to work with unitized pellet system, heat on demand base system or insulated trays.
- Single stack rail system handles 1 tray per rail, 10 trays per compartment with a 5/4" (13,5 cm) clearance between rails.
- Serving capacity per cart:
 - MDC1418T30 - 30 each 14" x 18" (36 x 46 cm) trays
 - MDC1520T30 - 30 each 15" x 20" (38 x 52 cm) trays
- Five nylon roller menu clips, one per door and on each end, keeps service instructions highly visible and easy to access.
- Durable, one-piece, molded polyurethane construction ensures long term durability and reliability. Molded bottom bumpers protect walls and furniture.
- Thick foamed-in place polyethylene insulation provides added structural strength and reduces noise while transporting.
- Molded-in marine rail top offers an ergonomic work surface and keeps trays secure during service preparation.
- Pressure molded ABS doors are lightweight, durable and open a full 270°. Can be securely locked with external security latches.
- Internal friction catch ensure that doors close securely.
- Self-draining shelf and bottom in compartments facilitates easy cleaning.
- Heavy duty nylon handle on each end make it easy to transport and maneuver.
- Four each 6" (12,7 cm) casters, 2 swivel w/ brake and 2 fixed, offset, enhance cart maneuverability and increase safety.
- Non electrical.
- No assembly required.
- Available in 9 color combinations.

Item No. _____

Specifier Identification No. _____

Model No. _____

Quantity _____



MDC1418T30



MDC1520T30

Approvals



© 2004 Cambro Manufacturing Company 5801 Skylab Road, Huntington Beach, California 92647-2056-U.S.A.
Telephone (1)714 848 1555 Toll Free 800 854 7631 Customer Service Hot Line 800 833 3003
LIT FCST-0704

Meal Delivery Carts

Tall Profile, Triple Door, 30 Tray Capacity

Models MDC1418T30

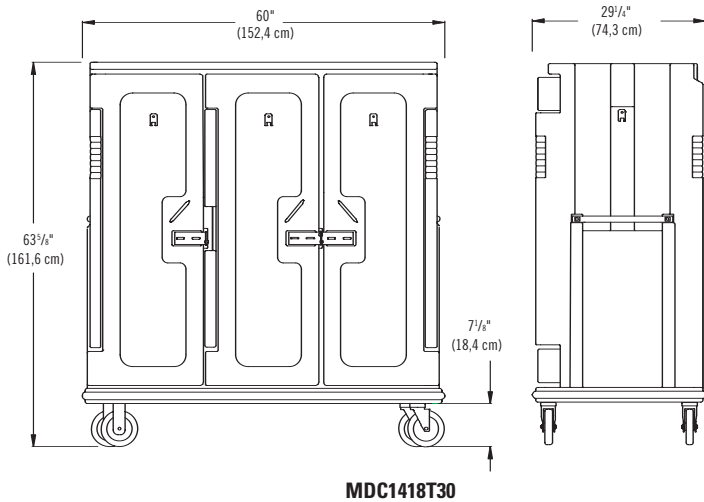
MDC1520T30

Item No. _____

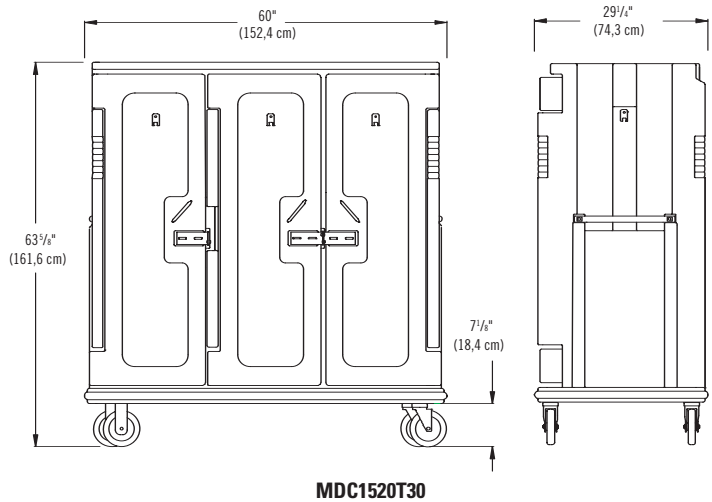
Specifier Identification No. _____

Model No. _____

Quantity _____



MDC1418T30



MDC1520T30

Specifications

Dimension Tolerance: +/- 1/4" (0,64 cm)

Code	Tray Capacity Per Compartment	Exterior Dimensions W x D x H	Internal Dimensions W x D x H	Case lbs./cube Case Kg/cube m ³
MDC1418T30	10 each 14" x 18" (36 x 46 cm)	60" x 29 1/4" x 63 3/8" (152,4 x 74,3 x 161,6 cm)	14 1/2" x 21 1/2" x 50" (36,8 x 54,6 x 127 cm)	278 (65.5) 126,4 (1,86)
MDC1520T30	10 each 15" x 20" (38 x 51,5 cm)	60" x 29 1/4" x 63 3/8" (152,4 x 74,3 x 161,6 cm)	15 1/4" x 21" x 50" (38,7 x 53,3 x 127 cm)	274 (65.5) 124,5 (1,86)

Architect Specs

These non-electric carts shall be Tall Profile, Triple Door, 30 Tray Capacity Meal Delivery Carts, Model MDC1520T30 and MDC1418T30, manufactured by Cambro Mfg. Co., Huntington Beach, CA 92647. The MDC1418T30 holds 14x18 (36 x 46 cm) trays. The MDC1520T30 holds 15x20 (They shall be made of one-piece, seamless, double-wall, high-density, polyethylene and shall be foam injected with polyurethane. They shall have a heavy-duty nylon handle on each end. They shall have molded-in marine top rail. They shall have pressure molded ABS doors. They shall have single stack rail system that holds 1 tray per rail, 10 trays per compartment with a rail clearance of 5" (12,7 cm). They shall have internal nylon friction latches; one per door and external security latches. They shall have self-draining compartment floors that are slightly sloped. They shall have 4 each 6" (15,2 cm) casters, 2 swivel with brake and 2 rigid, offset. They shall require no assembly. They shall be available in 9 colors.

Standard Colors

- Dusty Rose w/Light Gray Door (400)
- Gray w/Light Gray Door (180)
- Slate Blue w/Light Gray Door (401)
- Coffee Beige w/Light Gray Door (757)
- Dark Brown w/Light Gray Door (731)
- Granite Gray w/Light Gray Door (191)
- Granite Green w/Light Gray Door (192)
- Granite Red w/Light Gray Door (193)
- Granite Sand w/Light Gray Door (194)

Approvals

