



Trolley Systems for Floor Models

Shelf Roll-In Trolley

Model #	Description
CSRT-1220	for model 12.20
CSRT-2020	for model 20.20

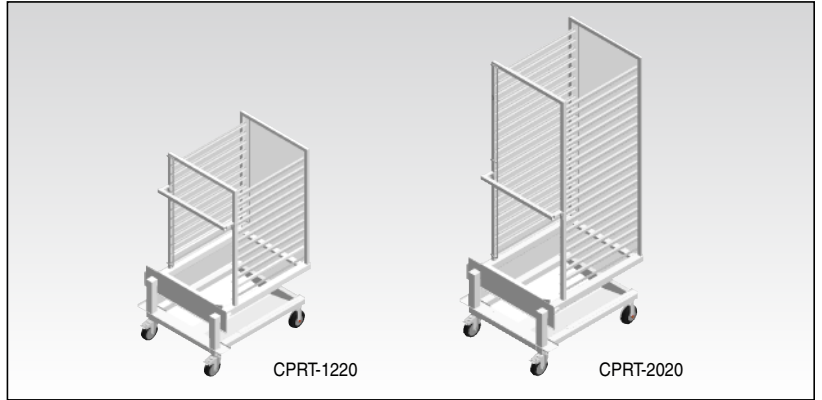
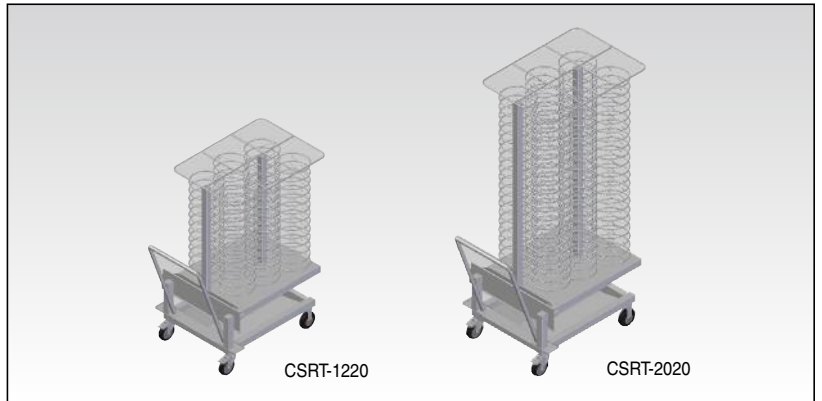


Plate Roll-In Trolley

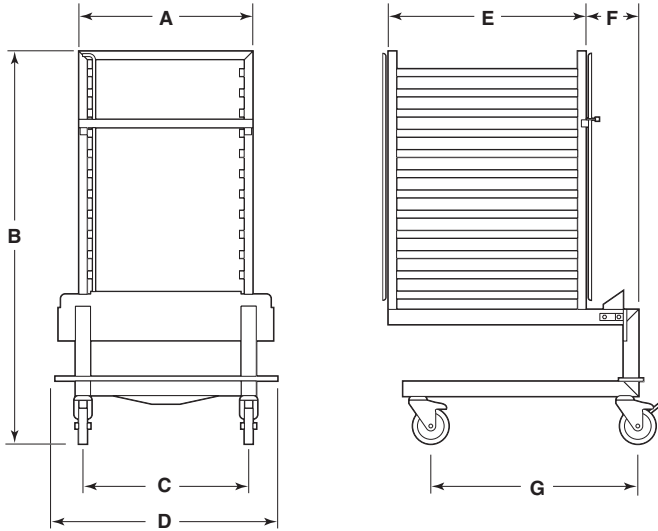
Model #	Description
CPRT-1220	for model 12.20
CPRT-2020	for model 20.20



Thermal Cover (for Plate Roll-In Trolley & Shelf Roll-In Trolley)

Model #	Description
CTC-1220	for model 12.20
CTC-2020	for model 20.20





Shelf Roll-In Trolley

Model #	Dimensions (inches)						
	A	B	C	D	E	F	G
CSRT-1220	23.18	52.00	21.65	29.13	25.75	7.20	29.03
CSRT-2020	23.18	72.95	21.65	29.13	25.75	7.20	29.03

Shelf Capacity	
CSRT-1220	12 (18" by 26" full size sheet pans)
CSRT-2020	20 (18" by 26" full size sheet pans)

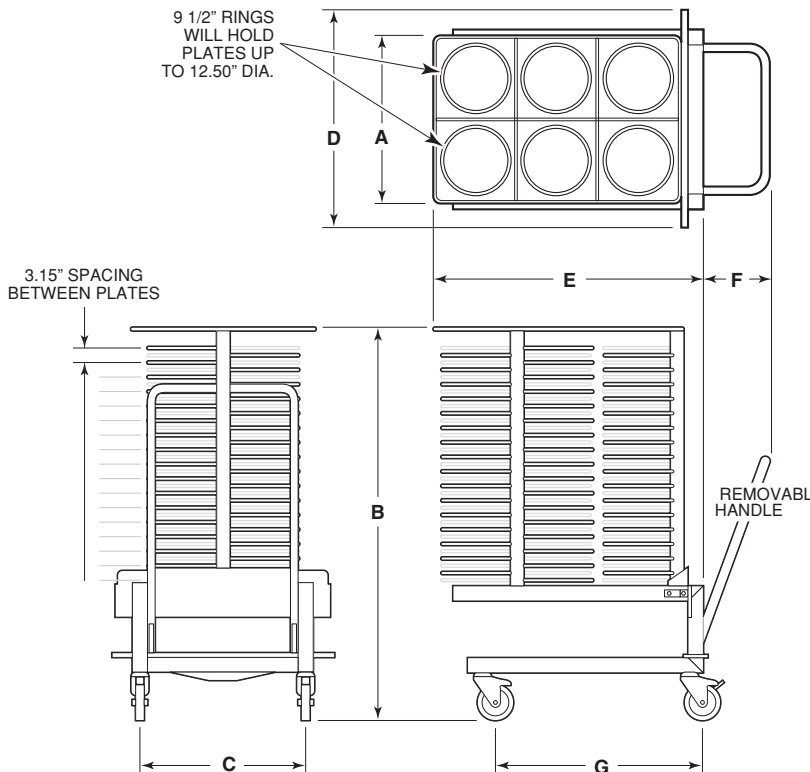


Plate Roll-In Trolley

Model #	Dimensions (inches)						
	A	B	C	D	E	F	G
CPRT-1220	24.21	51.99	21.65	29.13	36.00	13.50	29.02
CPRT-2020	24.21	72.76	21.65	29.13	36.00	13.50	29.02

Plate Capacity*	
CPRT-1220	59
CPRT-2020	98

* Holds plates up to 12.50" dia.

NOTES:

Cleveland Range reserves right of design improvement or modification, as warranted.
 Many regional, state and local codes exist and it is the responsibility of the owner and installer to comply with the codes.
 Cleveland Range equipment is built to comply with applicable standards for manufacturers.