



# N8200

Drop-In Self-Contained Frost Top

Project \_\_\_\_\_

Item \_\_\_\_\_

Quantity \_\_\_\_\_

CSI Section 11400

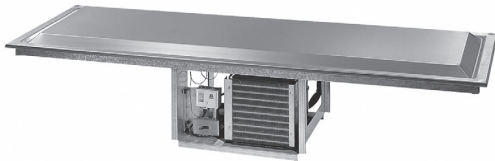
Approved \_\_\_\_\_

Date \_\_\_\_\_

N8200: Drop-In Self-Contained Frost Top

## Models

- N8231 31" length self-contained frost top
- N8245 45" length self-contained frost top
- N8259 59" length self-contained frost top
- N8273 73" length self-contained frost top
- N8287 87" length self-contained frost top



N8259

## Standard Features

- Polyurethane foam insulation
- On/off switch
- Raised stainless steel top with full perimeter drain trough and 1/2" drain
- Environmentally friendly HFC-404A refrigerant
- Stainless steel louver provided
- Push-in perimeter gasket

## Options & Accessories

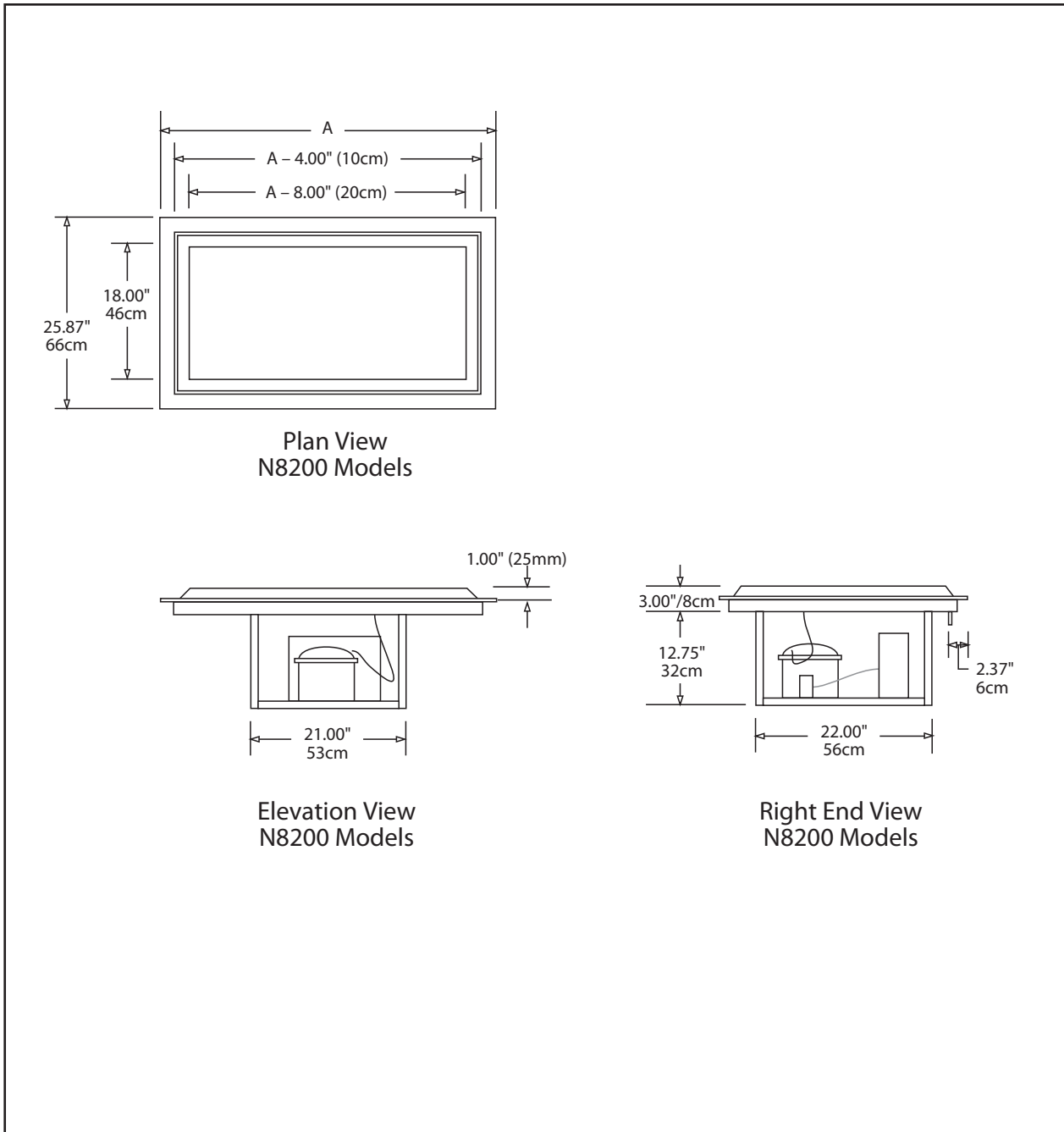
- Single or double service flip-up sneezeguards
  - Relocate compressor
  - 220V/50 cycle electrical system\*
- \* Inclusion of this option will alter electrical specifications of the unit

## Specifications

Top is one-piece, heavy-gauge stainless steel. Top has a drain trough and 2.00" (5cm) overhang around perimeter. Top is elevated 1.68" (4cm) above counter surface. Refrigeration lines are secured to the underside of the top and insulated with high-density, environmentally friendly, Kyoto Protocol Compliant, Non ODP (Ozone Depletion Potential), Non GWP (Global Warming Potential) closed-cell polyurethane. Exterior housing is heavy-gauge galvanized steel.

Condensing unit is suspended below the frost top on a heavy-gauge steel frame. Condensing unit uses HFC-404a refrigerant. Unit has an ON/OFF toggle switch, an 8' (2.4m) cord and NEMA 5-15 plug. Unit has (1) stainless steel louver provided for field installation; cutout dimensions are 12.00" x 23.50" (30cm x 60cm). A second opening at the rear of the cabinet must be provided at installation to allow for proper air circulation.





Drop-In Self-Contained Frost Top

N8200

**Specifications**

Model	Length (A) Dimension	Counter Cutout Dimension	V/Hz/Ph	H.P.	Amps	Ship Weight
N8231	31.75" (81cm)	30.75" x 25.00" (78cm x 64cm)	115/60/1	1/4	7.5	142lbs/64kg
N8245	45.63" (116cm)	44.63" x 25.00" (113cm x 64cm)	115/60/1	1/4	7.5	168lbs/76kg
N8259	59.5" (151cm)	58.50" x 25.00" (149cm x 64cm)	115/60/1	1/4	7.5	193lbs/88kg
N8273	73.38" (186cm)	72.38" x 25.00" (184cm x 64cm)	115/60/1	1/3	8.0	209lbs/95kg
N8287	87.25" (222cm)	86.25" x 25.00" (219cm x 64cm)	115/60/1	1/3	8.0	239lbs/108kg

Delfield reserves the right to make changes to the design or specifications without prior notice.