



# Specifications

F.O.B Sedalia, Missouri 65301



DPAH-2-BC

### OPTIONS:

- Incandescent bullet lights - BI
- Legs in lieu of casters

### AGENCY LISTINGS:



### DUKE MANUFACTURING CO.

2305 N. Broadway  
St. Louis, MO 63102

800.735.3853 Toll Free  
314.231.5074 Fax  
www.dukemfg.com

## Approval Stamp(s):

### PRODUCT INFORMATION:

PROJECT: \_\_\_\_\_  
 ITEM: \_\_\_\_\_  
 QUANTITY: \_\_\_\_\_

MODEL:

### EconoMate™ Buffet Units Beef Cart

- DPAH-2-BC**                      Portable Beef Cart Unit - Closed Base
- OPAH-2-BC**                      Portable Beef Cart Unit - Open Base
- TAH-2-BC**                         Table Top Beef Cart Unit

### BODY:

- Heavy gauge paint grip steel
- Choice of (12) powder coat paint colors (must choose one)
  - #217105 - Bright White
  - #217103 - Natural Almond
  - #217150 - Orange Red
  - #217154 - Racing Red
  - #217107 - Hollyberry Red
  - #217120 - Sky Blue
  - #217127 - Fence Green
  - #217152 - Stone Gray
  - #217102 - Duke Silver
  - #217113 - Brown Kickplate
  - #217101 - Semi Gloss Black
  - #217125 - Textured Black
- Clear plexiglass canopy, with black powder coat steel brackets, powder coat steel ends to match body

### TOP:

- Heavy gauge, 300 Series stainless steel top
- Carving board, removable au jus pan, meat spike
- Perforated stainless steel removable platform
- (2) aluminum spillage pans
- (2) insulated, 8" deep, heat compartments
- Infinite switch controls with exposed electric element

### BASES:

- Choice of
  - Open base - O
  - Closed base - D
  - Table top - T
- 5" NSF listed black swivel casters, 2 with locks
- Six foot cord and plug

### CANOPY:

- Clearly plexiglass food shield
- (2) bullet heat lamps - 250 watts each
- (2) stainless steel posts

### SHORT FORM SPECIFICATIONS:

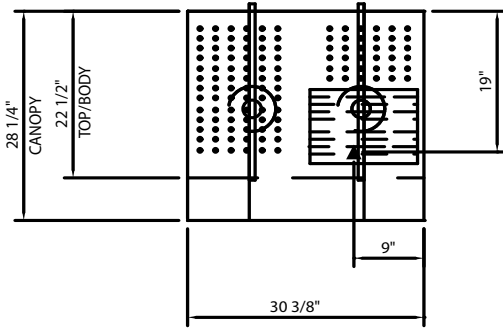
**Duke EconoMate Buffet Units - Beef Cart.** Portable with heavy gauge painted steel bodies, open or closed style, with 300 series stainless steel heavy gauge perforated, removable tops, w/au jus pan, carving board, meat spike, aluminum spillage pans, enclosed steel base w/powder coat finish & sliding doors, clear acrylic canopy w/heat lamps , 5" NSF approved black casters, 2 w/ locks , 6' cord & plug. Table top models available..

# EconoMate®

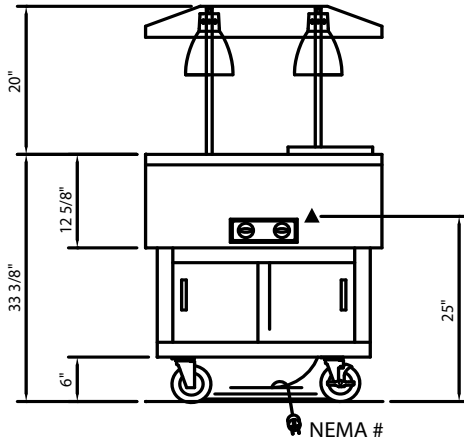
**MODEL:**

**EconoMate Buffet Units  
Beef Cart**

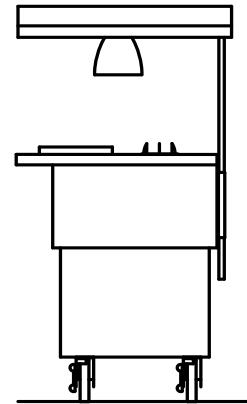
- DPAH-2-BC**      Portable Beef Cart Unit - Closed Base
- OPAH-2-BC**      Portable Beef Cart Unit - Open Base
- TAH-2-BC**        Table Top Beef Cart Unit



**TOP VIEW**



**FRONT VIEW**



**SIDE VIEW**

LEGEND	
▲	- ELECTRICAL CONNECTION
When ordering storage bases, precede model number with "O" for Open Base or "D" for closed base with doors. Example: <b>OPAH-2-BC</b> for open base unit.	

**DIMENSIONS:**

FREIGHT CLASS: 100

Model	Length		Width		Height		Cube ft. Crated	Weight		Top Openings
	in.	cm	in.	cm	in.	cm		lbs.	kg	
DPAH-2-BC	30-3/8	77.2	22-1/2	57.2	33-3/8	84.8	23.1	285	129.6	2
OPAH-2-BC	30-3/8	77.2	22-1/2	57.2	33-3/8	84.8	23.1	289	131.4	2
TAH-2-BC	30-3/8	77.2	22-1/2	57.2	13-5/8	34.7	12.1	215	97.7	2

**DIMENSIONS:**

Model	120 Volt			208 Volt			240 Volt		
	watts	amps	NEMA	watts	amps	NEMA	watts	amps	NEMA
DPAH-2-BC	1500	12.5	5-15	2000	9.6	L14-30	2000	8.3	L14-30
OPAH-2-BC	1500	12.5	5-15	2000	9.6	L14-30	2000	8.3	L14-30
TAH-2-BC	1500	12.5	5-15	2000	9.6	L14-30	2000	8.3	L14-30



**DUKE MANUFACTURING CO.**

2305 N. Broadway  
St. Louis, MO 63102

800.735.3853 Toll Free  
800.231.1130 In Missouri  
314.231.5074 Fax  
www.dukemfg.com

Specification subject to change