



"Your Solutions Partner"

Specifications

F.O.B Sedalia, Missouri 65301



TTS-32

OPTIONS:

- 14 gauge tops
- Top cutouts - **TCUT-OP1, TCUT-OP2, TCUT-OP3**
- Silverware dispenser (5) cups - **T73**
- Silverware dispenser (7) cups - **T71**
- Plastic cup - **TPC**
- Stainless steel legs - **TMOD-15**
- Veneered plastic laminate panels on body - **TSS-xP**
- Powder coat paint colors
- Stainless steel kickplates - **TMOD-2**

AGENCY LISTING:



DUKE MANUFACTURING CO.
 2305 N. Broadway
 St. Louis, MO 63102

800.735.3853 Toll Free
 314.231.1130 In Missouri
 314.231.5074 Fax
 www.dukemfg.com

Approval Stamp(s):

PRODUCT INFORMATION:

PROJECT: _____
 ITEM: _____
 QUANTITY: _____

MODEL:

Thurmaduke Serving Systems Tray Stand Units

- **TTS-32** 32" length unit

TOP:

- 16 gauge, 300 Series stainless steel
- Sound-deadening vinyl foam tape
- 10" x 28" top shelf
- 3" riser on two sides and rear

BODY:

- Choice of (12) powder coat paint colors (must choose one):

<input type="checkbox"/> #217105 - Designer White	<input type="checkbox"/> #217103 - Natural Almond
<input type="checkbox"/> #217150 - Orange Red	<input type="checkbox"/> #217154 - Racing Red
<input type="checkbox"/> #217107 - Hollyberry Red	<input type="checkbox"/> #217120 - Sky Blue
<input type="checkbox"/> #217127 - Fence Green	<input type="checkbox"/> #217152 - Stone Gray
<input type="checkbox"/> #217102 - Duke Silver	<input type="checkbox"/> #217113 - Brown Kickplate
<input type="checkbox"/> #217101 - Semi-Gloss Black	<input type="checkbox"/> #217125 - Textured Black
- Stainless steel body
- Enclosed front and ends
- NSF approve 5" diameter polyurethane casters
- Operator's side open to bottom shelf

SILVERWARE DISPENSER (optional):

- Model #**T71**
- Model #**T73**
- Die-stamped heavy gauge stainless steel
- 3-1/2" diameter perforated plastic cup- 5" deep

SHORT FORM SPECIFICATIONS:

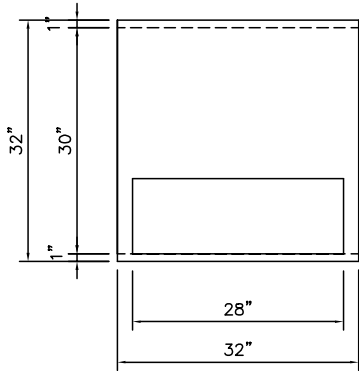
Thurmaduke Serving Systems - Tray Dispenser Units. Top shall be constructed of 16 gauge, 300 Series stainless steel with edges flanged down 2" at 90°. Vinyl foam tape to be used between top and body for sound-deadening. Top shall be 19" from floor and a top shelf, measuring 10" x 28", is to be located 21" above top of base, with 3" riser on two sides and rear. Body to be free standing and formed of heavy gauge steel with specified powder coat paint color or 300 Series stainless steel. Optional silverware dispenser shall be heavy gauge stainless steel with perforated plastic cups. #T73 to accommodate 5 cups; #T71 to accommodate 7 cups. Body to be mounted on NSF approved 5" diameter polyurethane casters, all swivel, two with locks. Must add "PG" to model number for Paint Grip Bodies. "SS" for Stainless steel bodies.

TSS-17

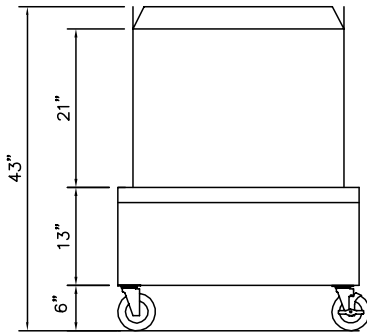


**Thurmaduke Serving Systems
Tray Dispenser Units**

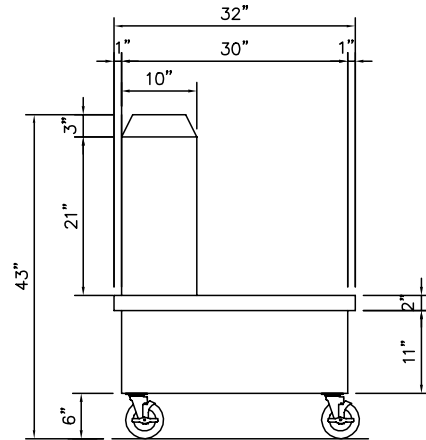
■ TTS-32 32" length unit



TOP VIEW



FRONT VIEW



RIGHT SIDE VIEW

DIMENSIONS:

FREIGHT CLASS: 150

Model	Length		Width		Height		Cube ft. crated	Weight	
	in.	cm	in.	cm	in.	cm		lbs.	kg
TTS-32	32	81.3	31	78.7	43	109.2	39.6	148	67.3

DUKE MANUFACTURING CO.
2305 N. Broadway
St. Louis, MO 63102

800.735.3853 Toll Free
314.231.1130 In Missouri
314.231.5074 Fax
www.dukemfg.com



"Your Solutions Partner"

Specifications subject to change

06/08
Printed in U.S.A.
© 2008, Duke Manufacturing Co.