

Item No.:	_____	Qty.:	_____
Model No.:	_____		
Project No.:	_____		



## Spec-Line Series Under Counter Dish Table

*Spec-Line Series Right-to-Left Straight Under Counter Dish Table*

- SLUDT-50-R**
- SLUDT-60-R**

### Options

- Pass Thru
- Scrap Baskets with Rack Slides
- Undershelves
- End Splash

\* For additional available options, contact Elkay SSP

### Specifications

Spec-Line Under Counter Dish Table, straight design, right-to-left operation, 8" high backsplash with 2" return, 14 gauge stainless steel top & pre-rinse sink, stainless steel legs with adjustable feet (specify faucet hole location), NSF approved

### Features

- 14 Ga. stainless steel
- Welded construction for consistent metal gauge thickness throughout
- 8" (203.2 mm) backsplash with tile edge for easy installation
- Drainboard dipped to fab for positive drainage
- Raised 1-1/2" (38.1 mm) diameter rolled edge
- 1-5/8" (41.3 mm) stainless steel H-Frame legs with 1" (25.4 mm) adjustable feet

### Materials

- Top: Bowl and backsplash are 14 gauge 300 series stainless steel
- Legs: All sinks furnished with 1-5/8" (41.3 mm) diameter heavy gauge stainless steel tubing with stainless leg gussets and high impact corrosion resistant fully adjustable 1" (25.4 mm) feet



**AUTOQUOTES**



*In keeping with our policy of continuing product improvement, Elkay SSP reserves the right to change product specifications without notice.*

*This specification describes an Elkay SSP product with design, quality and functional benefits to the user. When making a comparison of other producers' offerings, be certain these features are not overlooked.*



Item No.: \_\_\_\_\_ Qty.: \_\_\_\_\_  
 Model No.: \_\_\_\_\_  
 Project No.: \_\_\_\_\_

## Spec-Line Series Under Counter Dish Table

*Spec-Line Series Right-to-Left Under Counter Soiled Dish Table*

SLUDT  
50" - 60"

### Faucet Hole Options

Specify at time of ordering

#### Back Splash Mounted

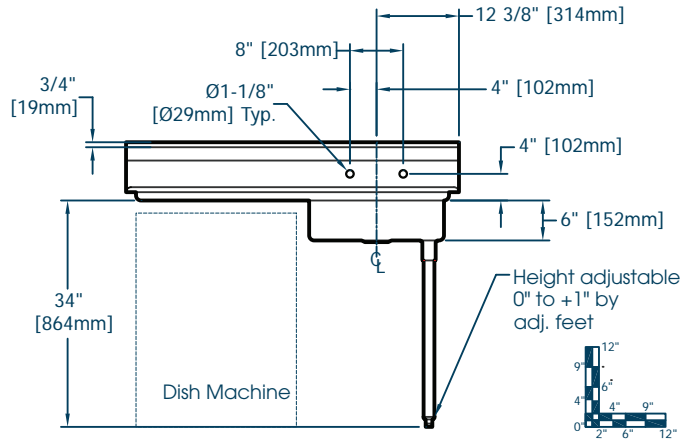
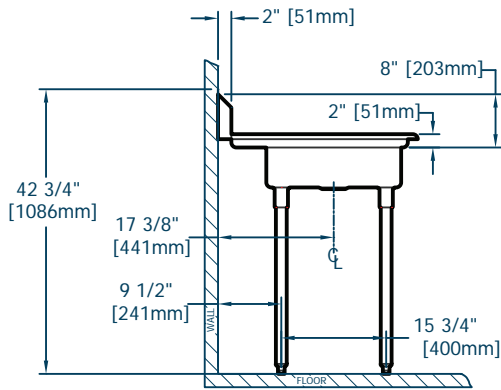
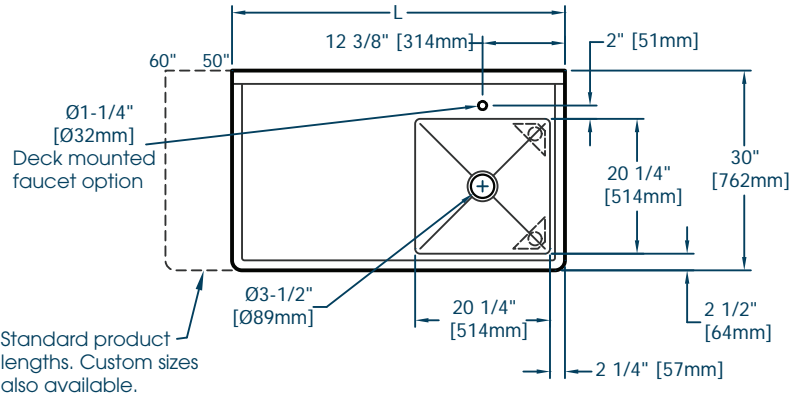
(2) 1-1/8" Dia. holes, 8" on center  
Reference Side View

#### Deck Mounted

(1) 1-1/4" Dia. hole, centered over  
tub drain centerline  
Reference Plan View on p. 3

#### No Hole

Product supplied without  
faucet hole drilling



Spec-Line Under Counter Dish Tables																
Model Number	Bowl Dimensions						Overall Size			Drain Location		Weight				
	Width A		Front-to-Back B		Depth D		Length L		Width W	Height H		in.	mm	lbs.	kg	
SL UDT - 50 - R X	20.25	514.4	20.25	514.4	6	152.4	50	1270	30	762	42.75	1086	17	441	79	36
SL UDT - 60 - R X	20.25	514.4	20.25	514.4	6	152.4	60	1524	30	762	42.75	1086	17	441	89	40

