

JOB NAME:

QUANTITY:

ITEM NO.:

PRODUCT NAME:

### BACK-FLOW PREVENTOR

\_\_\_\_\_ SPECIAL CONFIGURATION  
(CHECK BASE MODEL AND OPTIONS)

MODEL:

2932-0002

OPTIONS OR MODIFICATIONS:

OTHER \_\_\_\_\_

FEATURES:

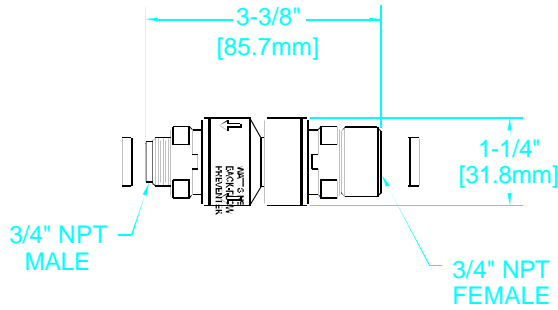
- \* ATMOSPHERIC VENT
- \* FOR IN-LINE CONTINUOUS PRESSURE APPLICATIONS
- \* FOR EXPOSED SERVICEABLE INSTALLATIONS
- \* DOUBLE CHECK DESIGN

SYSTEM LIMITS

- \* TEMP: 40°F MIN. TO 140°F MAX.
- \* PRESSURE 200 PSI MAX. STATIC

SHIPPING WEIGHT

- \* 1.0 LBS



ANSI/A112.18.1M

FISHER MANUFACTURING COMPANY  
 1900 SOUTH "O" STREET, TULARE, CALIFORNIA 93274  
 MAILING ADDRESS: P.O. BOX 60, TULARE, CALIFORNIA 93275  
 PHONE: (800) 421-6162 FAX: (800) 832-8238  
 MADE IN U. S. A.