

Accessories for REF & FZR series undercounter refrigerators and freezers

Keypad Locking System

Factory-installed keypad lock provides more product security and ease of use than standard cylinder lock. Multiple user codes provide greater control over access. Available factory-installed for new REF orders; as a retrofit kit for existing REFs. Not available for FZR series.

Increased security

- Door opens only when authorized code is entered
- Door relocks automatically when closed
- Each keypad provides one master code and up to eight user codes
- Lock-out feature prevents opening after repeated random code entry
- Secure and reliable motor-driven bolt operation

Ease of use

- One-step operation – enter authorized code and open door
- No turning of keypad to unlock or relock door
- Easy addition and deletion of user codes
- Two 9-volt alkaline batteries provide approximately 8000 openings
- Low battery alert signals for battery replacement
- Batteries accessed from front without tools
- All codes retained during battery replacement



Model	Retrofit Kit Item #
REF5/REF4-ADA	00170688
REF5-BB	00170688
FZR5/FZR4-ADA	NA
FZR5-PL	NA

Temperature Alarm

Solid-state temperature alarm provides hi-low audible and visual alarms, visual verification of product temperature, and highest-lowest temperature indication.

Protection for medications and patient supplies

- Audible and/or visual alarm alerts staff to temperatures above or below set points
- Product simulation bottle mimics product temperature for more accurate readings
- Digital product temperature display in °F or °C
- Dry contacts can be wired to central alarm system
- 9-volt backup battery (included) ensures protection during power outages
- Supports JCAHO standards for medications, local and state codes for food and beverages
- Records highest and lowest temperature since last time reset button was pressed

Easy installation

- Compact module (3.125"W x 1.875"D x 4.75"H (80mm x 48mm x 121mm)) mounts in desired location with screws (not provided)
- 8' (2.4m) probe wire increases location flexibility



Model	Item #
REF5	00112185
REF4-ADA	
REF5-BB	NA †
FZR5	00112185
FZR4-ADA	
FZR5-PL	NA †

† REF5-BB and FZR5-PL include alarm in standard temperature surveillance module (below).

Temperature Surveillance Module

All-in-one temperature surveillance module provides extra security for critical product storage.

Monitor product temperatures with confidence

- Audible and/or visual alarm with user-selectable high and low setpoints
- Compact chart recorder with easy-to-read 6" (153mm) 7-day chart
- Digital product temperature display
- LED power status indicator
- Remote contacts for connecting to central alarm system
- 9-volt backup battery ensures protection during power outages
- Includes product simulating bottle and box of (60) 7-day charts (-50 to 50)

Easy installation

- 15' (4.6m) probe wire with immersible stainless tip
- 6' (1.8m) power cord and AC adapter
- Surface or wall mount ready

Replacement charts and pens

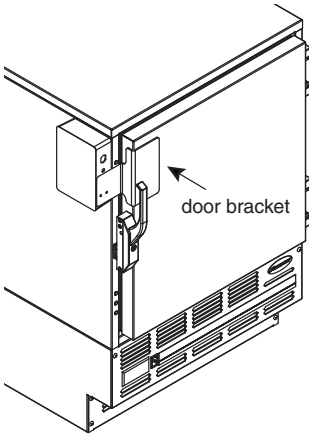
- Replacement charts (box of 60, 7-day, -50 to 50) (item# 00162099)
- Replacement pens (box of 6, red) (item# 00162081)



Model	Item #
REF5	00168674
REF4-ADA	
REF5-BB	included as standard
FZR5	00168674
FZR4-ADA	
FZR5-PL	included as standard

Accessories for REF & FZR series undercounter refrigerators and freezers

Medication System Compatibility Brackets



Door brackets allow Follett refrigerators and freezers to be used with Pyxis* and Omnicell* medication inventory and dispensing systems.

- Bracket installation must be performed by authorized Pyxis or Omnicell* installer.
- Follett brackets are not required for MedSelect* and AcuDose-Rx* compatibility.
- Undercounter installations may require side clearances for lock boxes. Check with your medication dispensing system representative.

Model	Pyxis – Item #	Omnicell – Item #
REF5	00114702	00158014
REF4-ADA		
REF5-BB	NA	NA
FZR5	00114702	00158014
FZR4-ADA		
FZR5-PL	NA	NA

* Pyxis is a registered trademark of Cardinal Health in the United States and other countries.
 * Omnicell is a registered trademark of Omnicell, Inc. in the United States.
 * MedSelect is a registered trademark of the AmerisourceBergen Technology Group.
 * AcuDose-Rx is a registered trademark of McKesson.

Additional Shelves



REF series cut out shelf

- Epoxy-coated wire shelf has cut-out to fit around evaporator drain
- Provides additional 2.4 sq. ft (.22 sq m) of shelf storage space
- Allows storage to each side and in front of evaporator housing

FZR series full size shelf

- Epoxy-coated wire shelf
- Provides additional 2.3 sq. ft (.21 sq m) of shelf storage space

Model	Item #
REF5	00131748
REF4-ADA	
REF5-BB	NA
FZR5	00159699
FZR4-ADA	
FZR5-PL	NA

Controller Programming Keys



Controller keys allow facilities to quickly change controller temperature displays from factory settings to different scales (°F or °C) or to upload customized settings to multiple refrigerators or freezers.

- No limit to number of times keys may be used or reprogrammed
- All keys can be overridden by downloading any temperature setting and scale configuration from a refrigerator or freezer to the key
- All keys plug into 5 pin connection in controller back
- Note – FZR, REF, REF-BB, and FZR5-PL keys are not interchangeable
- Contact factory for key specific to your model and application

Follett reserves the right to change specifications at any time without obligation. Certifications may vary depending on country of origin.