



# CRATHCO® BARREL FREEZERS

Item#

Project

Date

Models: 3311, 3312

## 3000 Series Standard Beverage Freezers



Model 3311



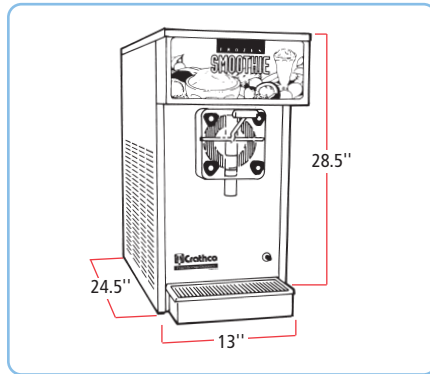
Model 3312

## Features

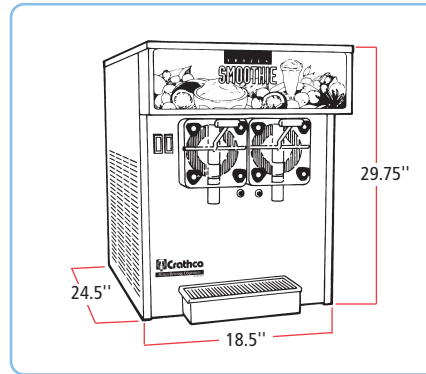
- **Versatile** – Serve frozen smoothies, shakes, frozen cappuccino/granita latté, frozen cocktails, granita, frozen fruit juices, frozen lemonade, or slush.
- **Patented FlavorLight™** – Illuminates the frozen product with your choice of eye catching back-lit signs, draw customers & increase sales.
- **Compact** – Model 5311 is only 13" (33cm) wide but more than doubles the output capacity of visual beverage freezers.
- **"Mix Low" Light** – alerts user when to refill reservoir.
- Freezing cylinder automatically refills from refrigerated storage hopper... No need to wait for product to refreeze after refilling.
- Reliable mechanical consistency control...dispenses perfect product under all operating conditions.
- Optional front mounted spinner blends in an unlimited variety of custom flavors.
- Oversize drive motor, rugged belt drive and heavy duty components keep freezers running when you need them most.



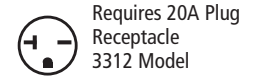
**3311 Single Barrel Beverage Freezer**



**3312 Twin Barrel Beverage Freezer**



## Specifications



Model	Capacity	# of Barrels	Com-pres.	Drive Motor	Dimensions (H x W x D)	Ship Dimensions (H x W x D)	Electrical	Ship Weight
<b>3311</b>	Frozen: 1.5 gal. (6L) Storage: 5.0 gal. (19L) Total: 6.5 gal. (20L)	1	.75 hp	.5 hp	28.5" x 13" x 29" (72 cm x 33 cm x 74 cm)	30.5" x 20.5" x 36.5" (77 cm x 52 cm x 93 cm)	120V, 1392W, 11.6A 220V, 50Hz, 1650W (optional)	195 lbs. (88 kg)
<b>3312</b>	Frozen: 1.5 gal. (6L) each side Storage: 2.25 gal. (8.5L) each side Total: 3.75 gal. (14.1L) per side	2	.75 hp	(2) .25 hp	29.75" x 18.5" x 29" (76 cm x 47 cm x 74 cm)	33" x 24" x 37" (84 cm x 61 cm x 94 cm)	120V, 1896W, 15.8A	280 lbs. (127 kg)

**Options:** Front mounted spinner. 4" (10 cm) legs. **Listings:** UL/CUL, NSF, CE. Specifications subject to improvement or change without notice.

## Available With Your Choice of Back-Lit Header

