



GRINDMASTER™
CORPORATION

Item # _____

Project _____

Date _____



Model PIC-5 Five Flavor Powdered Specialty Beverage Dispenser

- More flavors, more choices, more customers: flavored cappuccinos, gourmet cocoas, chai tea, milk steamers, cider, coffee, tea, hot chocolate, soup.
- 270° high impact graphics with stopping power - large, bold, front-lit graphics and full coverage side merchandisers* draw more attention and sales.
- Oversized push buttons invite customers to dispense. Microswitch reliability tested to 10,000,000 cycles.
- Curved panel and cup guide on drain tray allow easy self-service without waste.
- Large, Clear-View™ hoppers offer fast product level visibility.
- Direct Drive Hoppers - self-aligning pin and link hopper drive system for easy install.
- More is better... 1½ gallon (6 liter) drain tray holds more so you can empty it less. Drain connect option included.
- Patented safety rib on dispense nozzle assures cups don't catch.
- Generous cup clearance allows space for popular C-Store cup sizes.
- Insulated high capacity 5 gallon (19L) water tank for peak demand - economically operates at standby for about the same cost as a 75W lightbulb.
- Durable metal construction stands up to the test of time - even in the busiest locations!
- Easy access graphics cover over light, easy to change "channel mounted" side graphics.

* side merchandisers are optional - see Island Option

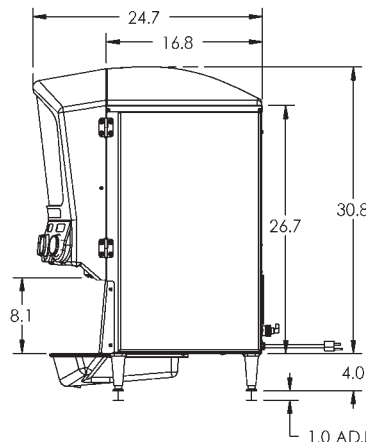
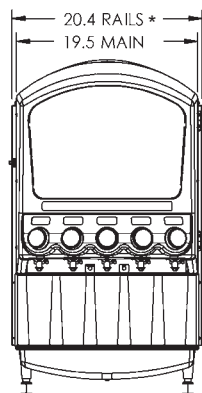


GRINDMASTER™
CORPORATION



Model PIC-5 - Five Flavor

Powdered Specialty Beverage Dispenser



* Rails are included with Island Option

| Specifications | PIC-5 (120V / 60Hz) |
|-----------------------------|---|
| Volts/Watts/Amps | PIC-5: 120V-60Hz / 1650W / 14A PIC-5CUL: 120V-60Hz / 1400W / 12A |
| Water Line | 1/4" (6.35mm) flare |
| Water Tank Size | 5 gallon (19L) insulated tank |
| Cup Clearance | 8.1" (21 cm) |
| Dimensions (H x W x D) | 34.8"-35.8" H x 20.4" W x 24.7" D (88 - 91 cm x 52 cm x 63 cm) |
| Ship Dimensions (H x W x D) | 44" H x 30.25" W x 30.25" D 112 cm x 77 cm x 77 cm |
| Weight | 114 lbs. (52 kg) |
| Ship Weight | 125 lbs. (57 kg) <i>(does not include pallet)</i> |
| Listings | UL, NSF, CUL |

Specifications are subject to improvement or change without notice.

Standard Options*

| | |
|---------------------------------------|---|
| Dual Pinwheel in Hopper | Helps prevent dense products from "bridging" in hopper. |
| Water Pump (Part # 60568) (115V/60Hz) | External water pump allows standard machine to operate off of remote or bottled water supply. |
| Island Option | Full coverage side merchandisers expand coverage to a high impact 270°. |

Custom Options* (available with minimum purchase quantity)

| | |
|--|--|
| Key Lock | Lock on door offers added security. |
| Soluble Coffee Option | Serve fresh, hot coffee fast using your soluble coffee. Available on 1 to 5 heads (specify number of heads). |
| High Capacity Output (add "Q" to model number) | 2500W heater offers extra quick recovery for added capacity (120/240V / 2500W / 60Hz). |

* Additional cost applies



GRINDMASTER™
CORPORATION



Grindmaster® Coffee Grinders and Brewers • PrecisionBrew™ Brewing Systems • Espresso® Espresso Machines
Crathco® Hot Beverage Dispensers • Crathco® Cold and Frozen Beverage Dispensers • AMW Coffee and Tea Systems
Tel (502) 425-4776 • Fax (502) 425-4664 • 1-800-695-4500 (USA & Canada only)

P.O. Box 35020 • Louisville, KY 40232 • USA