

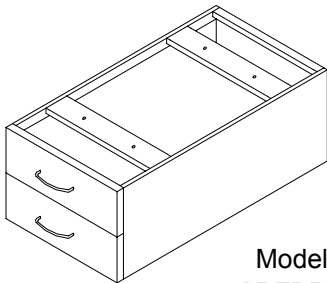
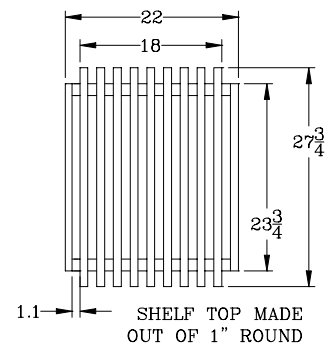
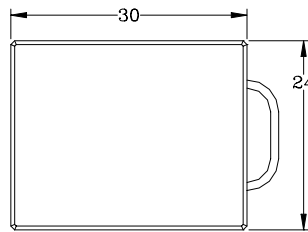
Cucina D'Amico



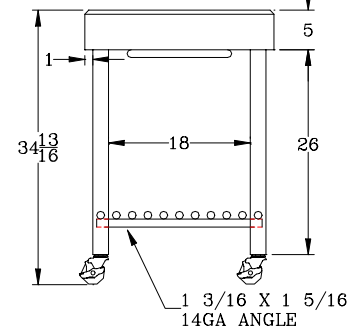
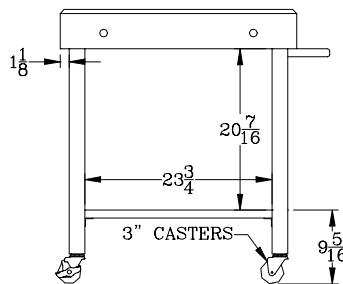
FEATURES:

- * 5" Thick End Grain Hard Rock Maple Top
- * Finished w/ penetrating oil
- * Food Service Stainless Steel Legs, Undershelf and Towel Bar
- * Type 18/304 stainless steel # 3 polish, satin finish
- * Commercial Grade 3" Locking Casters
- * 35" High Overall
- * Optional (2) Dovetailed Maple Drawer Unit Model (ABZDRA-2)
- * Shipped knocked-down, easy - to - assemble
- * UPSable

Model	Size	Wt
CUCD15	30"x24"	135



Model
ABZDRA



MATERIAL:

- Top: End Grain Hard Rock Maple
 Shelf: 18 gauge type 304 stainless steel, # 3 polish, satin finish
 Legs: 18 gauge type 304 stainless steel, # 3 polish, satin finish

John Boos & Co

315 South First Street - Effingham, IL 62401

Phone: 217-347-7701 - Fax: 217-347-7705

Email: sales@johnboos.com - Web-site: www.johnboos.com