

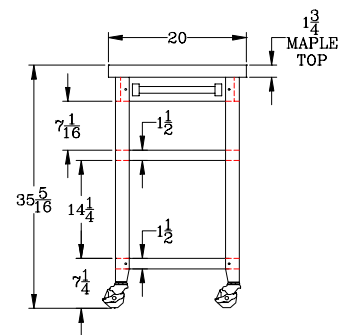
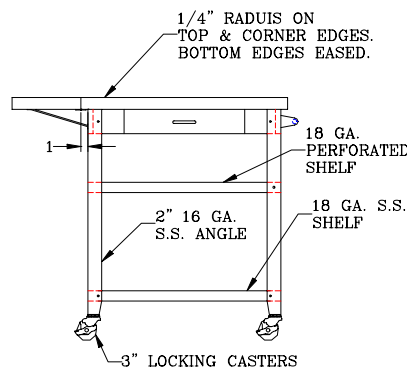
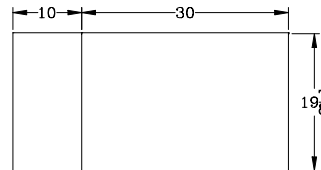
Cucina Elegante



FEATURES:

- * 1-3/4" Thick Edge Grain Hard Rock Maple Top
- * Finished w/ Varnique
- * Food Service Stainless Steel Legs and Undershelf
- * Type 18/304 stainless steel # 3 polish, satin finish
- * Reversible Middle Shelf
- * Commercial Grade 3" Locking Casters
- * 35" High Overall
- * Optional 10" Drop Leaves
 - CUCE50 2-10" Drop Leaves
 - CUCE40 1-10" Drop Leaf
 - CUCE30 No Drop Leaf
- * Optional Dovetailed Maple Drawer w/ Stainless Steel Front
- * Shipped knocked-down, easy - to - assemble
- * UPSable

Model	Size	Wt
CUCE50	50"x20"	100
CUCE40	40"x20"	91
CUCE30	30"x20"	82



MATERIAL:

- Top: Edge Grain Hard Rock Maple
 Shelf: 18 gauge type 304 stainless steel, # 3 polish, satin finish
 Legs: 18 gauge type 304 stainless steel, # 3 polish, satin finish

John Boos & Co

315 South First Street - Effingham, IL 62401

Phone: 217-347-7701 - Fax: 217-347-7705

Email: sales@johnboos.com - Web-site: www.johnboos.com