



Item No. \_\_\_\_\_

Project \_\_\_\_\_

Quantity \_\_\_\_\_

### Electric, Drop-In Model Griddles

### Model: 136,148,160 [TDI/SDI]



Model 136TDI shown

#### SIZING AND PERFORMANCE GUIDE

Model/Width	Surface Area	Controls	kW Input*
<input type="checkbox"/> 136[TDI/SDI]	828 sq. in.	3	18-kW
<input type="checkbox"/> 148[TDI/SDI]	1104 sq. in.	4	24-kW
<input type="checkbox"/> 160[TDI/SDI]	1380 sq. in.	5	30-kW**
<input type="checkbox"/> 172[TDI/SDI]	1656 sq. in.	6	36-kW**

\* 6-kW per foot of griddle

\*\* Total power input, two power connections required

#### SHORT/BID SPECIFICATION

Griddle shall be a LANG Manufacturing Model \_\_ [specify width: 136, 148, 160" or 172] with: \_\_SDI (Solid State Controls for each 12" of griddle width) or \_\_TDI (Mechanical thermostat Controls for each 12" of griddle width); 6-kW per foot of incoloy sheathed heating elements, pressure clamped to plate bottom; 1" thick polished cooking surface; flanged griddle surface module and recessed control panel module for easy installation in existing or new cabinet or work center; and all the features listed and the options checked:

#### STANDARD PRODUCT WARRANTY

One year, parts & labor

#### CONSTRUCTION FEATURES

- 1" thick precision machined, polished steel cooking surface
- Full parameter stainless steel top mounting flange
- 8 quart capacity grease drawer, with removable fully enclosed sleeve
- Separate, insulated stainless steel griddle and control modules

#### PERFORMANCE FEATURES

- Thick griddle plate reduces hot & cold spots and retains heat
- Highly polished, recessed surface and continuously welded mounting flange speeds cleanup
- Heating elements incoloy sheathed, for long life
- Elements are pressure clamped to bottom of griddle plate for more even heating
- Recessed control panel protects controls
- Accurate temperature control between 175° and 450°F

#### CONTROL PACKAGE [Specify One]

##### Accu-Temp-[TDI]

- Snap-Action thermostats
- Independent temperature control every 12"
- 175° to 550°F temperature control, in 25° increments
- Solid State Controls react to a 2°F temperature change

##### Accu-Temp-[SDI]

- Area Sensitive Resistance Temperature Detector (RTD) System
- Independent temperature control every 12"
- 175° to 450°F temperature control, in 25° increments
- RTD probe reacts to a 1° temperature change



Sheet No. LSP-GD3 (rev. 06/07)

# Electric, Drop-In Model Griddles

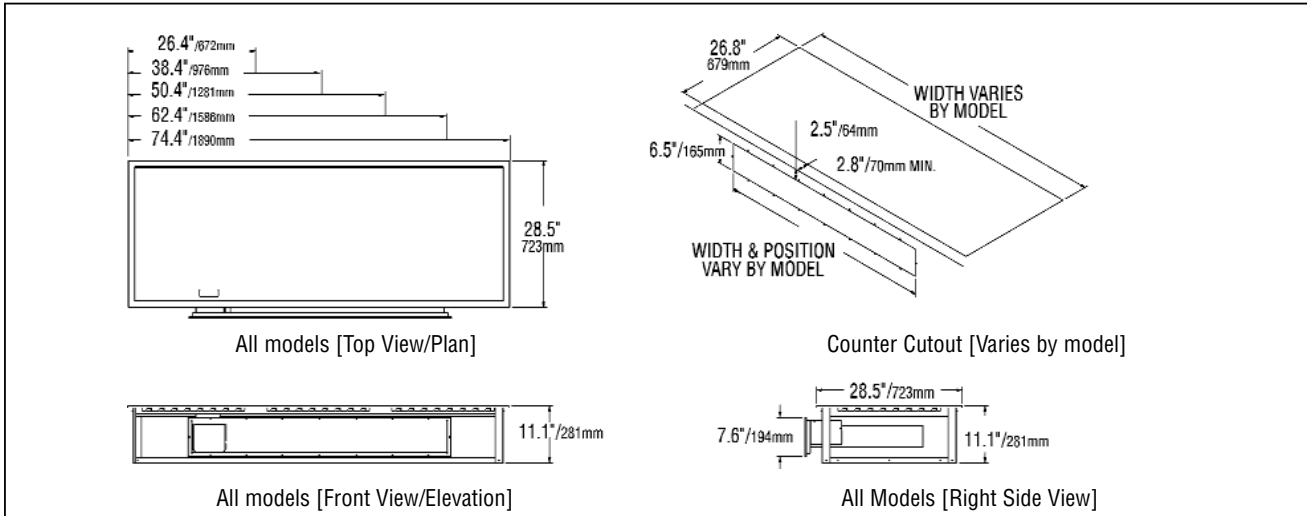
# Model: 136, 148, 160 [TDI/SDI]

## INSTALLATION REQUIREMENTS

- (E) 208V, 3-phase, field convertible to 240V or 1-phase; or optional 408V, 3-phase power connection
- (E1) (E2) Two electric connections required for 60" and 72" units
- Installation in approved cabinet or fabricated work center. [Provided by others] See below for rough openings required for griddle and control panel module.
- Installation under approved vent hood required.

## OPTIONS & ACCESSORIES

- 408V, 3-Phase operating voltage



Model	Top-Rough Opening		Controls-Opening		Clearance from combustible surface	Weight		Freight Class
	Width	Depth	Height	Width		Actual	Shipping	
136	36.8" 933mm	26.8" 679mm	6.5" 165mm	30.8" 781mm	Sides: 2" Back: 2"	263 lbs. 120 kg	410 lbs. 186 kg	85
148	48.8" 1238mm	26.8" 679mm	6.5" 165mm	37.3" 946mm		368 lbs. 167 kg	525 lbs. 239 kg	85
160	60.8" 1543mm	26.8" 679mm	6.5" 165mm	43.8" 1111mm		589 lbs. 268 kg	665 lbs. 302 kg	85
172	72.8" 1848mm	26.8" 679mm	6.5" 165mm	50.3" 1276mm		N/A	N/A	85

Model	Total kW	Maximum AMP Per Line				
		208V/3-Phase	240V/3-Phase	480V/3-Phase	208V/1-Phase	240V/1-Phase
136	18.0	50.0	43.3	21.7	86.5	75.0
148	24.0	75.0	65.0	32.5	115.2	100.0
160	30.0 [12/18]*	50.0	43.3	21.7	86.5	75.0
172	36.0 [18/18]*	50.0	43.3	21.7	86.5	75.0

\* Load split for the two power connections required.

## CAD SYMBOLS & PRICING



Due to continuous improvements, specifications subject to change without notice.



Sheet No. LSP-GD3 (rev. 06/07)

**LANG MANUFACTURING - A DIVISION OF STAR MANUFACTURING INT'L, INC. • 10 SUNNEN DR. ST. LOUIS, MO 63143**  
**TOLL FREE: 800.264-7827 • FAX: 314-781-3636 • www.langworld.com**