



Item No. _____

Project _____

Quantity _____

Gas, 24" Clamshell® Griddle Hood

Model: CSG24



Two (2) CSG24 Gas Clamshells mounted on a model 248T Griddle with optional ES-G48C stand

CONSTRUCTION FEATURES

- Stainless steel, hinged, spring assisted upper broiler
- Mounted to full [griddle] width mounting bracket [See Table]
- Infrared burner protected by stainless steel wire-form grid
- Stainless steel heat deflector/splatter shields
- Large, cool-grip elastomer, full width lift handle

PERFORMANCE FEATURES

- Two-sided cooking reduces cook times and increases production
- 1400°F infrared heating rapidly browns, seals in juices and speeds cooking
- Electronic ignition saves energy
- Preset 3" clearance from griddle handles variations in product thickness
- Heat deflector shields improves operator comfort
- Modular 24" design allows customizing 24-72" griddles or charbroilers, to operator need

CONTROL PACKAGE

- Instant-ON when Clamshell® is lowered
- Automatically turns OFF when Clamshell® is lifted

TWO-SIDED COOKING ORDERING GUIDE

Your Griddle Model/Width	Your Charbroiler Model/Width	No. of Clamshells
224T/224S	LRB-24	1
236T/236S	LRB-36	1
248T/248S	LRB-48	1 or 2
260T/260S	LRB-60	1 or 2
272T/272S	LRB-72	1 – 3

SHORT/BID SPECIFICATION

Upper cooking unit[s] shall be ___ ea. [Specify quantity] **LANG Manufacturing Model:** **CSG24** 23" wide, 50,000 BTU gas heated Clamshell® Hood[s]; to be factory mounted on ___ wide [specify: 24", 36", 48", 60" or 72"] gas griddle or charbroiler; with infrared heating elements and stainless steel heat shields, mounted in a stainless steel hood, hinged to mounting bracket with spring assisted lift; auto-ON when unit is lowered; a 3" gap from the griddle surface; and all the features listed. Available on standard depth griddles and ZRCB broilers only.

STANDARD PRODUCT WARRANTY

One year, parts & labor



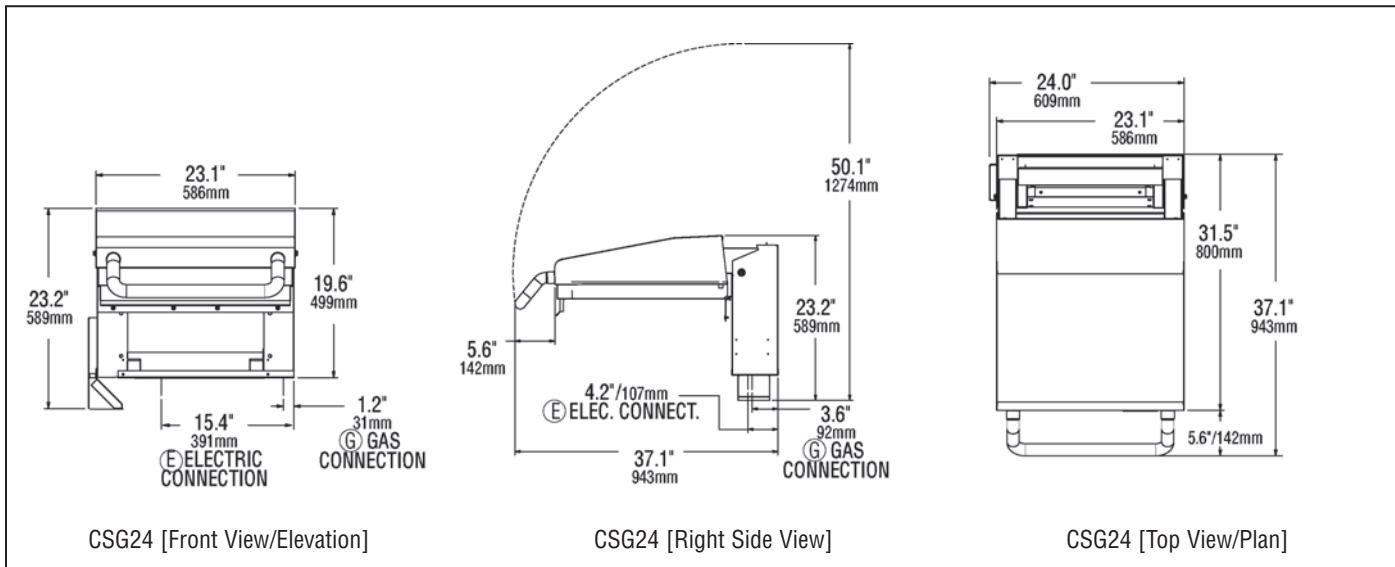
Sheet No. LSP-CS2 (rev. 04/13)

INSTALLATION REQUIREMENTS

- Must be factory mounted to new Lang gas griddle or charbroiler
 - Ⓔ Specify: □ Natural gas or □ Propane gas via 1/2" NPT connection
 - Ⓔ 120V 1-phase power connection
 - Power cord & plug provided
 - Gas pressure regulator provided
- [See below for location and power requirements]

OPTIONS & ACCESSORIES

[See base model Griddle or Charbroiler specification for stands etc.]



Griddle/Charbroiler Requirements NOT Included. Also See Base Unit Specification Sheet.

Model	Height x Width x Depth (Clamshell open)	Clearance from combustible surface	Weight		Freight Class
			Actual	Shipping	
CSG24	50.1" x 24.0" x 37.1" 1274mm x 609mm x 943mm	Sides: 0" Back: 0"	125 lbs. 57 kg	200 lbs. 91 kg	65

Model	Ⓔ Electrical Requirements				Ⓔ Gas Requirements
	Voltage	Total kW	Phase	Amps/Line	
CSG24	120V/60Hz	0.5	1	2.0	1/2" NPT (50,000 BTU/hr)

CAD SYMBOLS & PRICING



Due to continuous improvements, specifications subject to change without notice.



Sheet No. LSP-CS2 (rev. 06/07)

LANG MANUFACTURING - A DIVISION OF STAR MANUFACTURING INT'L, INC. • 10 SUNNEN DR. ST. LOUIS, MO 63143
TOLL FREE: 800.264-7827 • FAX: 314-781-3636 • www.langworld.com