

MB MASTER-BILT[®]

FUSION[™] SERIES

ITEM NO. _____
 PROJECT _____
 LOCATION _____
 DATE _____ QTY. _____



MBR/MBF49-S



C-UL listing applies to one-door and two-door models only.

MBR/MBF SERIES

Bottom Mounted Solid Door Reach-Ins

REFRIGERATORS

- MBR23-S
- MBR49-S
- MBR72-S

FREEZERS

- MBF23-S
- MBF49-S
- MBF72-S

FEATURES

STANDARD ELECTRONIC CONTROL

- Digitally displays inside temperature
- Allows user to monitor and adjust temperature set point within normal temperature range
- Visual and audible door open alarm
- Clean condenser alarm (displays "CL" every 6 months)
- Decreases service time and calls

CONSTRUCTION

- Curved corner design creates a stylish appearance and reduces chances of injury in slip-and-fall accidents
- Stainless steel exterior on front, sides and doors
- Exterior top, bottom and back are galvanized steel
- Interior liner and door panel are stainless steel
- Foamed-in-place with low ODP polyurethane insulation
- Wall thickness:
 - Sides 1⁷/₈"
 - Top and back.....2"
 - Bottom 2³/₈"

- 4" diameter casters
- Four casters on one- and two-door models and six on three-door models (two casters on each model are locking type)
- Four adjustable heavy-duty vinyl-coated shelves per door

DOORS

- Heavy-duty pull handles
- Self-closing at 96°
- Hold open feature at 110°
- Individual door locks
- Self-adjusting magnetic gaskets
- Interior incandescent light activated by switch for each door
- Anti-condensate heater wires on door openings
- Standard door swing configuration:
 - MBR/MBF23-S hinged right
 - MBR/MBF49-S left door hinged left, right door hinged right
 - MBR/MBF72-S left door hinged left, middle door hinged right, right door hinged right
- Field reversible doors on single door models (requires left hand hinging kit)
- Door width:
 - MBR/MBF23-S 27¹/₄"
 - MBR/MBF49-S 25¹/₂"
 - MBR/MBF72-S 25¹/₂"

REFRIGERATION

- Self-contained bottom mount refrigeration system
- Capillary tube controls refrigerant flow
- Automatic defrost
- Fabric condensation kit uses wicks to draw condensate from the drain pan for faster removal
- Refrigerant:
 - Refrigerators..... R-134a
 - Freezers R-404A
- Temperature range:
 - Refrigerators..... 32° to 40°F (0° to 4° C)
 - Freezers -22° to 8°F (-30° to 13°C)

WARRANTY

- Standard limited four year extended compressor and one year limited parts and labor

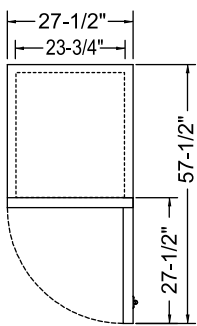
OPTIONS

- Extra vinyl-coated wire shelves
- 6" adjustable feet
- Left hand hinging kit
- Pan rack

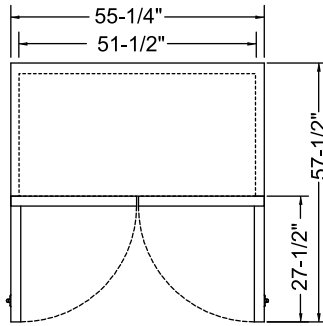
TECHNICAL SPECIFICATIONS

MODEL	DIMENSIONS (in.)			DIMENSIONS (mm)			VOLTS	AMPS	UNIT H.P.	NO. OF DOORS	NO. OF SHELVES	STANDARD SHELF SIZE (in inches)	CAP. CU. FT.	SHIP CU. FT.	SHIP WT. (LB/KG)
	L	D*	H*	L	D*	H*									
REFRIGERATORS															
MBR23-S	27 ¹ / ₂	33	83 ³ / ₄	699	838	2127	115	7.5	3/8	1	4	22 ⁷ / ₁₆ X 22 ⁹ / ₁₆	23.0	46.1	290/132
MBR49-S	55 ¹ / ₄	33	83 ³ / ₄	1403	838	2127	115	7.5	3/8	2	8	22 ⁷ / ₁₆ X 22 ⁵ / ₈	49.0	88.5	482/219
MBR72-S	78	33	83 ³ / ₄	1981	838	2127	115	10.0	1/2	3	12	***	70.0	124.1	632/287
FREEZERS															
MBF23-S	27 ¹ / ₂	33	83 ³ / ₄	699	838	2127	115	8.5	1/2	1	4	22 ⁷ / ₁₆ X 22 ⁹ / ₁₆	23.0	46.1	309/140
MBF49-S	55 ¹ / ₄	33	83 ³ / ₄	1403	838	2127	115	9.5	3/4	2	8	22 ⁷ / ₁₆ X 22 ⁵ / ₈	49.0	88.5	504/229
MBF72-S	78	33	83 ³ / ₄	1981	838	2127	115/208-230**	9.0	1.1	3	12	***	70.0	124.1	636/289

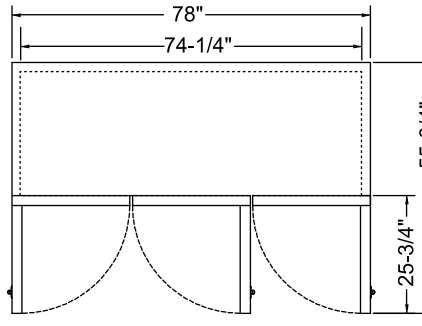
*Depth includes door handle, height includes casters. **208-230/60/1 also requires neutral and safety ground wire. ***LH & RH shelf for 3 door models is 22⁷/₁₆" x 22⁹/₁₆", center shelf is 22⁷/₁₆" x 25¹/₄".



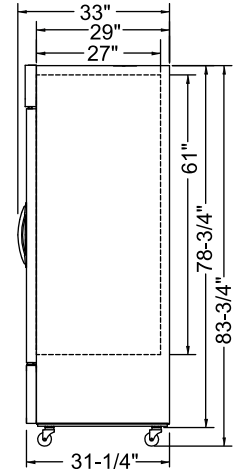
MBR/MBF23-S
PLAN VIEW



MBR/MBF49-S
PLAN VIEW



MBR/MBF72-S
PLAN VIEW



SIDE VIEW

LISTINGS

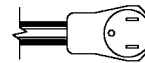


C-UL listing applies to one-door and two-door models only.

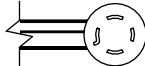
HOOKUP

All models except MBF72-S: Via plug in, 9.8 foot long flexible three wire 14/3 cord with molded plug.

MBF72-S: 9.8 foot long flexible four wire 208-230v 14/4 cord with neutral and ground wires and molded plug.



NEMA 5-15P (all models except MBF72-S)



NEMA L14-20P (MBF72-S)

BID SPECIFICATIONS

Item no. MBR/MBF _____-S. Provide _____ Bottom Mounted Solid Door Reach-in(s), Master-Bilt model no. MBR/MBF _____-S.

Reach-in will feature rounded corner construction with stainless steel interior and exterior. Top, bottom and back will be galvanized steel. Reach-in will also be

equipped with an electronically controlled monitoring system with door alarm function.

The refrigeration system will be bottom mounted and self-contained. Freezers will use R-404A refrigerant, refrigerators will use R-134a. The temperature range will be 32° to 40°F (0° to 4° C) for refrigerators and -22° to

8°F (-30° to 13°C) for freezers.

Reach-in to have standard limited four year extended compressor warranty and one year limited parts and labor warranty.

Reach-in to be ENERGY STAR® certified and UL and ETL listed. One-door and two-door models will also be C-UL listed.

NOTE: Cabinet designed for optimum performance in air-conditioned area at 75°F ambient and 55% relative humidity. All specifications subject to change without notice.