



Simply Engineered Better

201LT

Undercounter Low Temperature Dishwashing Machine



SPECIFIER STATEMENT

Specified unit will be Moyer Diebel Model 201LT undercounter low temperature dishwashing machine.

Features include 15-3/4" door opening, standard detergent, rinse-aid and sanitizer dispensing pumps. Wash tank heater maintains required water temperature.

1 year parts and labor warranty.



Project _____
 Item No. _____
 Quantity _____

201LT UNDERCOUNTER

STANDARD FEATURES

- Soft start, protects dishes and glasses from chipping or breakage
- Fully automatic wash/rinse cycle processes a rack of wares in 141 seconds ... 27 racks an hour!*
- Thermostatically controlled wash tank heater maintains water at the required temperature
- Pumped drain permits use of drain connection up to 6' of which 3' can go vertical
- Stainless steel top and side panels standard
- Top-mounted detergent and rinse aid prime switches
- Counter balanced door minimizes wear and tear on door supports
- Clog-resistant filtering system
- Fill and drain operation
- Built-in detergent, rinse-aid, and sanitizer dispensing pumps
- Upper & lower interchangeable spray arms
- Low water consumption
- 15-3/4" clearance for wares
- Energy efficient, only 15 amp breaker required for 115V plug
- One year parts and labor warranty

* Excludes 20 second NSF load/unload time

OPTIONS & ACCESSORIES

- | | |
|---|-------------|
| <input type="checkbox"/> CST- Combination sink/table Machine on right | P/N 403561 |
| <input type="checkbox"/> CST- Combination sink/table Machine on left | P/N 403562 |
| <input type="checkbox"/> Flat bottom dishrack | P/N 101273 |
| <input type="checkbox"/> Peg dishrack | P/N 101285 |
| <input type="checkbox"/> 6" Stand | P/N 0712393 |
| <input type="checkbox"/> 17RS - 17" Stand | P/N 0708757 |
| <input type="checkbox"/> Site Glass kit | P/N 0712993 |
| <input type="checkbox"/> 1" roller casters | P/N |
| <input type="checkbox"/> Quick disconnect package | P/N |

Moyer Diebel - USA



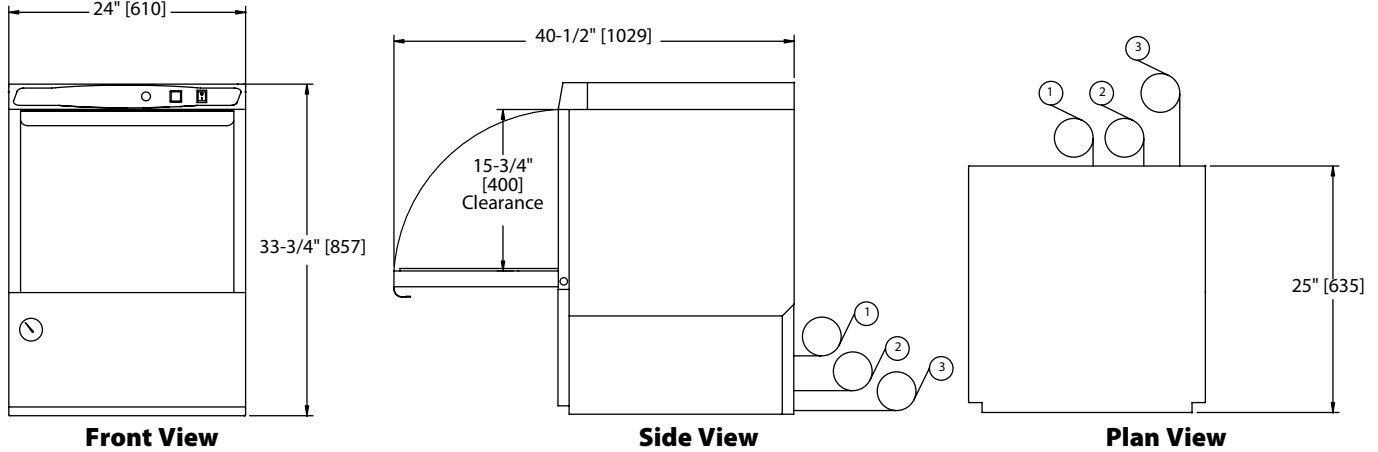


Simply Engineered Better

201LT

Undercounter
Low Temperature
Dishwashing Machine

Dimensions shown in inches and [millimeters]



***Note:** Allow additional 3" clearance from wall.

Utilities	
1 Electrical	115/60/1; 12 amp draw; to be fused at 15 amp. 4ft. plug-in cord supplied.
2 Hot Water	140°F Min., 1/2" supply hot water connection 6 ft. long, 1/2" I.D. flexible fill hose with 3/4" hose connector Flow pressure: 25-95 psi (173-656 kPa)
3 Drain Connection	6 ft. long, 5/8" I.D. flexible drain hose Max. drain flow: 15 US gpm

	Uncrated	Crated
Height	33-3/4"	39-1/2"
Width	24"	25"
Depth	25"	25-1/2"
Ship Wt. lbs/kg	178	198

* Front leveling feet provided.

SPECIFICATIONS	
Capacity	
*Racks per hr.	27
Motor Horsepower	
Wash	1
Water Consumption	
Per hr. (max. use)	38.4 US gal;
Per rack	1.8 US gal;
Temperatures °F	
Wash (minimum)	140
Rinse (minimum)	140
Heating	
Tank heat, electric (kW)	.75
Time Cycle in Seconds	
Wash	90
Rinse	26
Drain/fill	25
Total	141

* Excludes 20 second NSF load/unload time

Warning: Plumbing and electrical connections should be made by qualified personnel who will observe all the applicable plumbing, sanitary and safety codes.