



JOB:  
ITEM:  
QTY:



# ALL WELDED SHELVING - T-BAR SERIES

## APPLICATION:

These units are designed for heavy loads. These units make it easier to organize larger, heavier loads. Mobile units are available.

## MATERIAL:

Framework is constructed of 1 1/2"x1 1/2"x.070" wall tubing. Laterals on the shelves are constructed out of 1 1/4"x2 1/4"x.100" wall T-Bar. Stationary units come equipped with adjustable feet.

## CASTERS:

The mobile units have an option of coming equipped with four 5" platform type casters or four 6" platform type casters.

## GUARANTEE:

These shelving units carry a **Lifetime Guarantee** against rust and corrosion and also carry a **Lifetime Guarantee** against workmanship and material defects.



**All Welded Shelving - T-Bar Series**

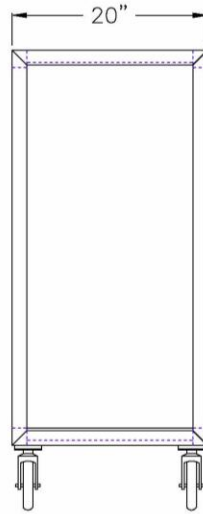
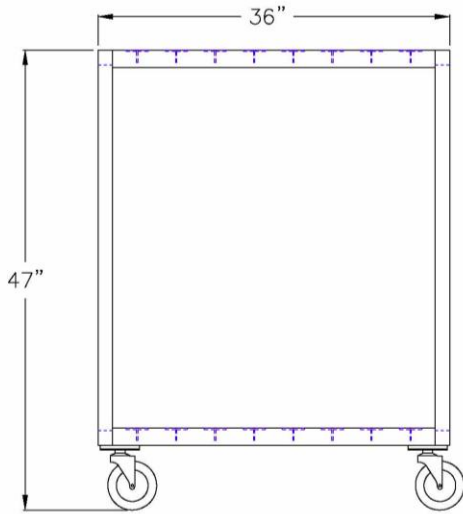


**All Welded Shelving- T-Bar Series Mobile**

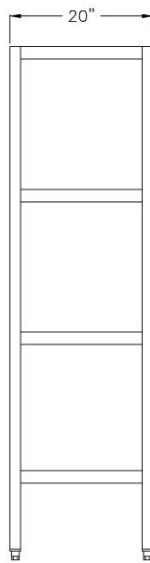
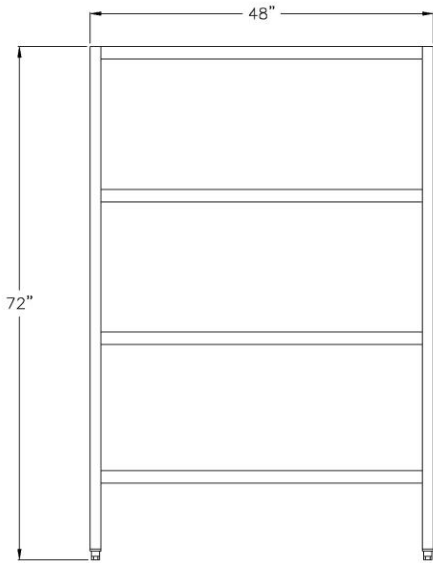


Phone:800-255-0104  
Fax: 877-877-7687  
[www.newageindustrial.com](http://www.newageindustrial.com)  
[sales@newageindustrial.com](mailto:sales@newageindustrial.com)

New Age Industrial reserves the right to modify or make changes at any time without notice to materials and specifications.



**Model #1021TBM5**



**Model #1062TB**

| Model No.               | Size-W | Size-H | Size-D |
|-------------------------|--------|--------|--------|
| <b>Two Shelf Unit</b>   |        |        |        |
| 1021TB                  | 20"    | 48"    | 36"    |
| 1030TB                  | 20"    | 48"    | 42"    |
| 1022TB                  | 20"    | 48"    | 48"    |
| 1023TB                  | 20"    | 48"    | 60"    |
| 1024TB                  | 20"    | 48"    | 72"    |
| 1025TB                  | 24"    | 48"    | 36"    |
| 1031TB                  | 24"    | 48"    | 42"    |
| 1026TB                  | 24"    | 48"    | 48"    |
| 1027TB                  | 24"    | 48"    | 60"    |
| 1028TB                  | 24"    | 48"    | 72"    |
| <b>Three Shelf Unit</b> |        |        |        |
| 1041TB                  | 20"    | 60"    | 36"    |
| 1050TB                  | 20"    | 60"    | 42"    |
| 1042TB                  | 20"    | 60"    | 48"    |
| 1043TB                  | 20"    | 60"    | 60"    |
| 1044TB                  | 20"    | 60"    | 72"    |
| 1045TB                  | 24"    | 60"    | 36"    |
| 1051TB                  | 24"    | 60"    | 42"    |
| 1046TB                  | 24"    | 60"    | 48"    |
| 1047TB                  | 24"    | 60"    | 60"    |
| 1048TB                  | 24"    | 60"    | 72"    |
| <b>Four Shelf Unit</b>  |        |        |        |
| 1061TB                  | 20"    | 72"    | 36"    |
| 1070TB                  | 20"    | 72"    | 42"    |
| 1062TB                  | 20"    | 72"    | 48"    |
| 1063TB                  | 20"    | 72"    | 60"    |
| 1064TB                  | 20"    | 72"    | 72"    |
| 1065TB                  | 24"    | 72"    | 36"    |
| 1071TB                  | 24"    | 72"    | 42"    |
| 1066TB                  | 24"    | 72"    | 48"    |
| 1067TB                  | 24"    | 72"    | 60"    |
| 1068TB                  | 24"    | 72"    | 72"    |

**Options-** Add "M6" suffix to model # for 6" Casters. (3000# Cap.)

Add "M5" suffix to model # for 5" casters. (1200# Cap.)



Phone: 800-255-0104  
 Fax: 877-877-7687  
[www.newageindustrial.com](http://www.newageindustrial.com)  
[sales@newageindustrial.com](mailto:sales@newageindustrial.com)

New Age Industrial reserves the right to modify or make changes at any time without notice to materials and specifications.