

SLANT TOP BOTTLE COOLERS

ST SERIES



ST48

MODELS

- ST48 Series
- ST48LT Series
- ST72 Series
- ST72LT Series

Perlick Features

- Four and six foot models with low temperature (LT) options
- Stainless steel interior standard
- Stainless or black vinyl-coated exteriors
- Dent-resistant heavy-gauge doors
- Two-inch foamed-in-place walls save on energy costs and add strength
- Heavy-duty construction
- 24-inch front-to-back dimension matches depth of stainless steel underbar
- Plug-in installation; no drain required
- Efficient, balanced-refrigeration system
- Quiet running, high-efficiency compressor
- 14-gauge bracket supports door extrusions
- Unique 'slant top' design provides additional 15 percent storage capacity
- 11-inch opening means easier loading and unloading of product
- Optional recessed roller kits increase overall height by only 5/16"



GENERATIONS OF
EXCELLENCE

Form No. BC02
Rev. 07.27.2011

Perlick[®]

8300 West Good Hope Road • Milwaukee, WI 53223 • Phone 414.353.7060 • Fax 414.353.7069
Toll Free 800.558.5592 • E-Mail perlick@perlick.com • www.perlick.com

Size and Specifications

Slant Top Bottle Coolers

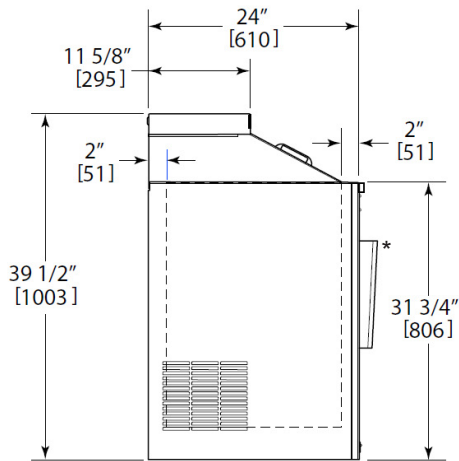


Job _____
 Area _____
 Item No. _____
 Model No. _____

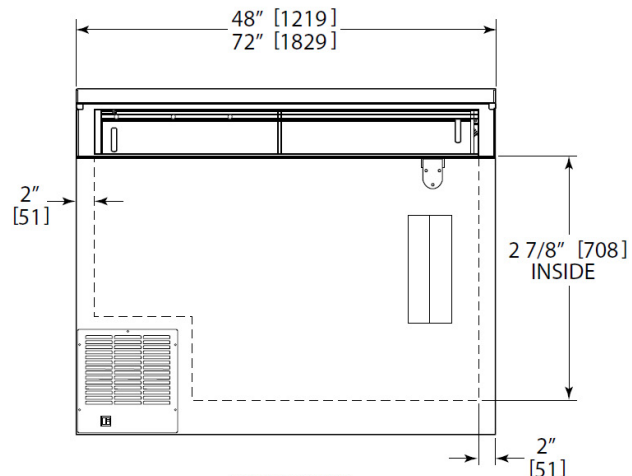
MODEL NOS.		ST48	ST48LT	ST72	ST72LT
CABINET DIMENSIONS	LENGTH IN. (mm)	48" (1219)	48" (1219)	72" (1828)	72" (1828)
	DEPTH IN. (mm)	24" (610)	24" (610)	24" (610)	24" (610)
	HEIGHT IN. (mm)	39-1/2" (1003)	39-1/2" (1003)	39-1/2" (1003)	39-1/2" (1003)
INTERIOR CUBIC FOOT (m3)		13.43 (0.38)	13.43 (0.38)	22.29 (0.63)	22.29 (0.63)
CASE CAPACITY (12oz. Bottles)		19.8	19.8	32.5	32.5
CASE CAPACITY (12oz. cans)		28.8	28.8	41.4	41.4
CONDENSER UNIT HP.		1/4	1/4	1/3	1/3
AMPS		5.2	5.2	6.9	6.9
SHIP WEIGHT lbs. (kg)		317 (144)	317 (144)	412 (187)	412 (187)
INTERIOR	All models have stainless steel walls and floor				
EXTERIOR	Choice of black, stainless steel and all stainless. Black option: Front, ends, top and riser are black vinyl coated steel; back and bottom are galvanized Stainless Steel option: Front, ends, top and riser are stainless steel; back and bottom are galvanized All Stainless option: Front, ends, top, riser, back and bottom are stainless steel				
TEMPERATURE	38°F Standard model. 30°F Low-Temp model (Approximate factory settings)				
DOORS (Sliding)	Stainless steel top and bottom pans. Die cast handle. Optional locks.				
ELECTRICAL	115V, 60 Hz, 1 Phase. Furnished with 6 foot rubber plug-in cord (115V model only). Also available in 230V, 50Hz, 1 Phase AC. (Not available on LT models)				
PLUMBING	None required; condensate evaporates automatically				
INSULATION	2-inch foamed-in-place polyurethane				
REFRIGERATION	R134a capillary tube/type with hermetic condensing unit. Pulls out for service and cleaning				
VENTILATION	All models require 2" clearance from wall on left end or back of cabinet for proper air flow				
OPTIONAL ACCESSORIES & MODIFICATIONS	<ul style="list-style-type: none"> • Floor Racks • Adjustable legs • Roller basket shelving • Bin Dividers • Bottle opener & receiver • Interior light • Casters • Wine Temperature (specify red or white) • Recessed casters • Speed Rails • Door Lock 				

*Shown with optional bottle opener and receiver

NOTE: This equipment is intended for the storage and display of non-potentially-hazardous bottled or canned products only.



END VIEW
48" & 72" CABINET



FRONT VIEW
48" & 72" CABINET

Form No. BC02
Rev. 07.27.2011



8300 West Good Hope Road • Milwaukee, WI 53223 • Phone 414.353.7060 • Fax 414.353.7069
 Toll Free 800.558.5592 • E-Mail perlick@perlick.com • www.perlick.com

Perlick is committed to continuous improvement. Therefore, we reserve the right to change specifications without prior notice