

Continuous Feed Vegetable Prep



CL50E



CL50E ULTRA

- New lid design to ease the cleaning process.
- Larger hopper opening to accommodate more product.
- Fan-cooled, heavy-duty, belt drive, 1.5 HP, Single phase motor.
- 52 available discs to select from.
- Has dicing and french fry capabilities.
- Attached large feed pusher assembly.
- Automatic restart of machine with the kidney shaped shaped pusher.
- Attachments easily removed for maximum cleaning ability.
- Packed with two processing discs (28064 - 3mm/1/8" slicing disc & 28058 - 3mm/1/8" grating disc) as standard.
- 1 year parts and labor warranty.

Prepare 1200 servings in 3 hours or less.

Vegetable prep attachment designed for quality continuous feed slicing, dicing, shredding, grating, french fry, and julienne. Accommodates 52 different processing discs and potato ricing attachment.



Robot Coupe U.S.A., Inc.
264 South Perkins
Ridgeland, MS 39157
1-800-824-1646 • (601) 898-8411
FAX: (601) 898-9134
www.robotcoupeusa.com • e-mail: info@robotcoupeusa.com

SPECIFICATIONS ON REVERSE SIDE

SLICING	GRATERS	JULIENNE	DICING KITS
28166 .6 mm	28056 1.5 mm (1/16")	28172 1x8 mm (1/32" x 5/16")	28110 5x5 mm (3/16")
28069 .8 mm	28057 2 mm (5/64")	28153 1x26 mm (1/32" x 1 1/4")	28111 8x8 mm (5/16")
28062 1 mm (1/32")	28058 3 mm (1/8")	28051 2x2 mm (5/64" x 5/64")	28112 10x10 mm (3/8")
28063 2 mm (5/64")	28136 4 mm (5/32")	27072 2x4 mm (5/64" x 5/32")	28197 12x12 mm (15/32")
28064 3 mm (1/8")	28163 5 mm (3/16")	27066 2x6 mm (5/64" x 1/4")	28181 14x14x5 mm (9/16"x9/16"x3/16")
28004 4 mm (5/32")	28164 7 mm (9/32")	27067 2x8 mm (5/64" x 5/16")	28179 14x14x10 mm (9/16"x9/16"x3/8")
28065 5 mm (3/16")	28165 9 mm (11/32")	28173 2x10 mm (5/64" x3/8")	28113 14x14 mm (9/16")
28196 6 mm (1/4")	27164 Rostis Potatoes	28195 2.5x2.5 mm (1/10"x1/10")	28114 20x20 mm (25/32")
28066 8 mm (5/16")	27219 Raw Potatoes	28101 3x3 mm (1/8"x1/8")	28115 25x25 mm (1")
28067 10 mm (3/8")	28055 Fine Pulping Disc	28052 4x4 mm (5/32"x5/32")	28180 2" Lettuce Cut
28068 14 mm (9/16")	28061 Hard Cheese Grate	28053 6x6 mm (1/4"x1/4")	
28132 20 mm (25/32")		28054 8x8 mm (5/16"x5/16")	
28133 25 mm (1")			
27244 Cooked Potatoes 4 mm (5/32")	FRENCH FRY		
27245 Cooked Potatoes 6 mm (1/4")	28134 8x8 mm (5/16"x 5/16")		
	28135 10x10 mm (3/8"x 3/8")		
	28158 10x16 mm (3/8" x 5/8")		
RIPPLE CUT			
27068 2 mm (5/64")			
27069 3 mm (1/8")			
27070 5 mm (3/16")			

Specifications

STANDARD MODEL: includes motor base unit with continuous feed attachment, one 1/8" (3mm) slicing disc and one 1/8" (3mm) medium grating disc.

ELECTRICAL REQUIREMENTS: 120V, 60Hz, 12 Amps, single phase, 1 speed, NEMA 5-15 plug.

SWITCHING: Control panel with push-type on and off buttons.

MOTOR: 1.5 HP, 425 RPM, belt drive, fan-cooled.

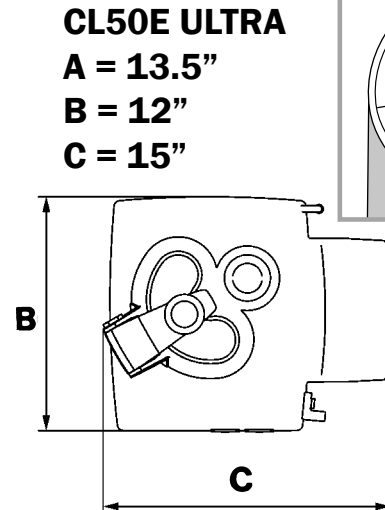
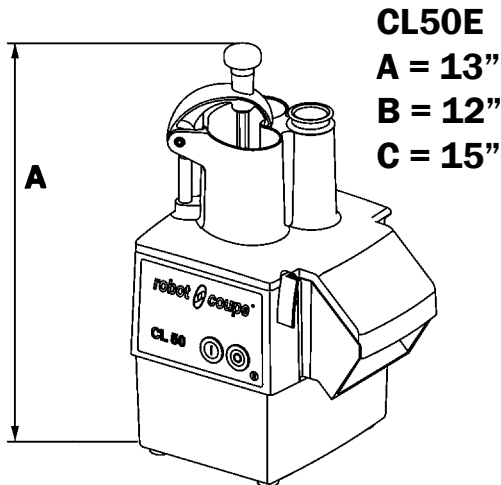
WEIGHT:

CL50E: 41 lbs. net, 47 lbs. approximate shipping weight.

CL50E Ultra: 43 lbs. net, 49 lbs. approximate shipping weight.

OPTIONAL EQUIPMENT: 50 additional processing discs, Mashed Potato Attachment and single or multiple disc rack or wall-mounted disc rack.

STANDARDS: ETL electrical & sanitation, cETL (Canada)



Robot Coupe U.S.A., Inc.
 264 South Perkins
 Ridgeland, MS 39157
 1-800-824-1646
 (601) 898-8411
 FAX: (601) 898-9134
 www.robotcoupeusa.com
 e-mail: info@robotcoupeusa.com

Distributed by: