

# HLZ Heated Bun Buffer



**HLZ-1**

Keep toasted buns hot and fresh until they are ready to be served. The Heated Bun Buffer has a heated landing zone and easy-open lid so that toasted buns always stay hot on the production line. It easily attaches on the VCT-25, VCT-50, VCT-1000, and VCT-2000 toasters without the use of tools.

## Features

- Easy-open lid keeps buns covered and fresh.
- Heated landing zone keeps buns hot.
- Quick installation—no tools needed.

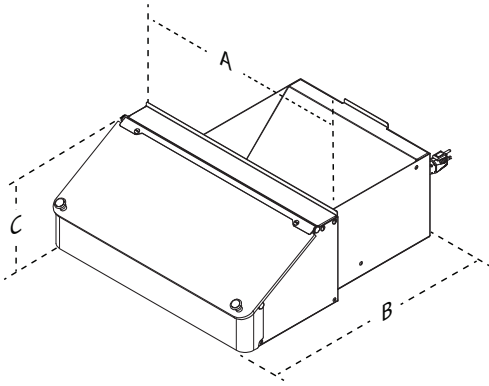


**HLZ-1 with VCT-2000**



# HLZ Heated Bun Buffer

## Dimensions



Model & Mfg. No.	Width (A)	Depth (B)	Height (C)
HLZ-1 7000685 7000842	18 13/16" (478 mm)	19 3/8" (492 mm)	7 13/16" (198 mm)

## Shipping Dimensions

Model & Mfg. No.	Height	Width	Depth	Weight
HLZ-1 7000685 7000842	10" (254 mm)	23" (584 mm)	22" (559 mm)	24 lbs. (11 kg)

## Electrical Ratings and Plug Configuration

Model & Mfg. No.	Volts	Watts	Amps	Hertz	Plug Description
HLZ-1 7000685	120	35	0.3	50/60	NEMA 5-15P 15 Amp., 120 Volt
HLZ-1 7000842	230	35	0.3	50/60	CEE 7/7 16 Amp., 250 Volt

P/N 1020317 Rev. G 12/12