



ELECTRIC TILTING SKILLET 30 AND 40 GALLON



BELTS-30

Shall be a Southbend model _____, electrically heated tilting skillet, c-CSA-us and NSF certified. The unit shall have a spring assisted, stainless steel cover, with full width handle, no drip condensate guide and vent port with swing cover. The pan shall have a sloped front and be front hinged for easy tilting pour control and comes complete with a removable pour lip strainer. Pan is formed from 10 gauge stainless steel with a #4 finish exterior and polished interior with coved corners for easy cleaning. Cooking surface shall be 5/8" thick stainless steel clad plate ensuring even heat distribution over entire cooking surface. The pan shall be fitted with tubular heating elements clamped to the under side.

The pan shall be mounted on a heavy duty welded frame with stainless steel exterior supported by an all welded 1-5/8" (41 mm) stainless steel pipe frame with adjustable bullet feet and rear legs fitted with flange adjustable feet for securing to the floor.

The controls include a thermostat with OFF position and a range of 160°F - 445°F (71°C - 229°C), a thermostat indicator light, pan tilt switch that shuts elements off if tilted more than 5°, and high temperature cut-off set at 536°F (280°C).

Tilting is controlled by an electric motor driven, ball drive actuator for smooth and precise tilting action.

MODEL	kW	CAPACITY	
		GALLON	LITER
BELTS-30	12	30	114
BELTS-40	15	40	152

OPERATION SHALL BE BY:

Electric heating elements equipped for operation on:

- 208 VAC, 1 phase, 50/60 Hz
- 208 VAC, 3 phase, 50/60 Hz
- 220 VAC, 1 phase, 50/60 Hz
- 220 VAC, 3 phase, 50/60 Hz
- 240 VAC, 1 phase, 50/60 Hz
- 240 VAC, 3 phase, 50/60 Hz
- 380/220 VAC, 3 phase, 50/60 Hz
- 415/240 VAC, 3 phase, 50/60 Hz

OPTIONAL ITEMS AT EXTRA COST:

- 380 VAC, 3 phase, 50/60 Hz
- 415 VAC, 3 phase, 50/60 Hz
- 480 VAC, 3 phase, 50/60 Hz
- 600 VAC, 3 phase, 60 Hz
- 18 kW elements (40 gallon only)
- Etched gallon markings (GMS-30, GMS-40)
- Etched liter markings (LMS-30, LMS-40)
- 2" (51 mm) draw-off valve with strainer (TVT-2BP)
- 3" (76 mm) draw-off valve with strainer (TVT-3BP)
- Correctional package

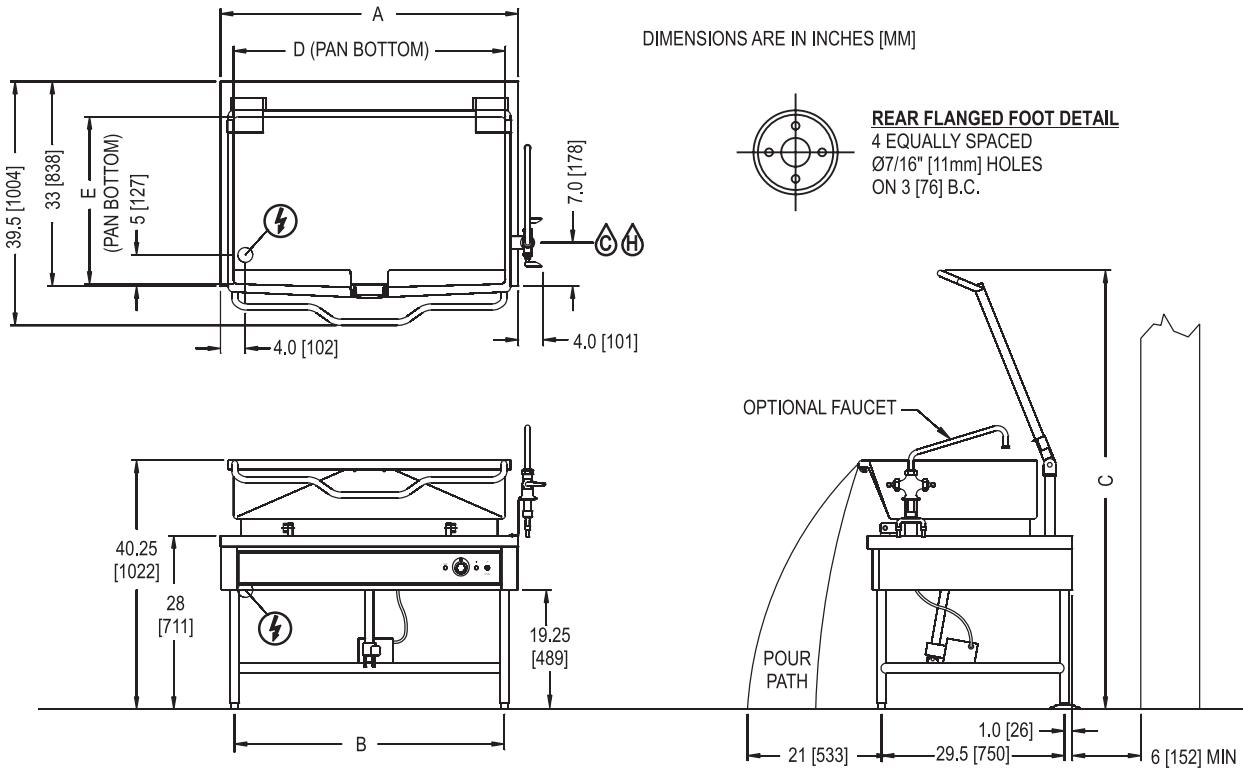
ACCESSORIES:

- Pan carrier (PC-1)
- Steam pan insert (SPI-30, SPI-40)
- 12" Single pantry faucet with swing spout (SF-12)
- 12" Double pantry faucet with swing spout (DF-12)
- 3" Stainless steel faucet plumbing enclosure (3139-1)
- Single pantry faucet and bracket with 60" pot filler (SF-60)
- Double pantry faucet and bracket with 60" pot filler (DF-60)

Job _____
Item# _____



Models: BELTS-30 BELTS-40



DIMENSIONS

MODEL	CAPACITY	SHIPPING WEIGHT	UNITS	A	B	C	D	E	MINIMUM CLEARANCE	
BELTS-30	30 Gallons (114 liters)	490 lbs. [222 kg]	inches (millimeter)	36" (914 mm)	33.5" (851 mm)	74" (1880 mm)	33.5" (851 mm)	23.5" (597 mm)	SIDES	0
BELTS-40	40 Gallons (152 liters)	675 lbs [306 kg]	inches (millimeter)	48" (1219 mm)	45.5" (1156 mm)	74" (1880 mm)	43.5" (1105 mm)	23" (584 mm)	BACK	6" (152 mm)

UTILITY INFORMATION

AMPS PER LINE									
MODEL	kW	PHASE	208V	220V	240V	380V	415V	480V	600V
BELTS-30	12	1	57.7 A	54.5 A	50.0 A	N/A	N/A	N/A	N/A
		3	33.3 A	31.5 A	28.9 A	18.2 A	16.7 A	14.4 A	11.5 A
BELTS-40	15	1	72.1 A	68.2 A	62.5 A	N/A	N/A	N/A	N/A
		3	41.6 A	39.4 A	36.1 A	22.8 A	20.9 A	18.0 A	14.4 A
BELTS-40	18	1	86.5 A	81.8 A	75.0 A	N/A	N/A	N/A	N/A
		3	50.0 A	47.2 A	43.3 A	27.3 A	25.0 A	21.7 A	17.3 A

SERVICE CONNECTIONS

- Electrical connection to be as specified on data plate
- Cold Water: 3/8" O.D. tubing to optional faucet
- Hot Water: 3/8" O.D. tubing to optional faucet

**INTENDED FOR COMMERCIAL USE ONLY.
NOT FOR HOUSEHOLD USE.**



1100 Old Honeycutt Road, Fuquay-Varina, NC 27526
(919) 762-1000 www.southbendnc.com