



STAINLESS STEEL
HAND SINKS
PEDESTAL BASE



7-PS-90



7-PS-95



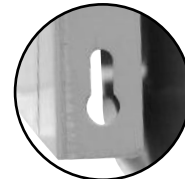
7-PS-99



7-PS-18

Item #: _____ **Qty #:** _____
Model #: _____
Project #: _____

Keyhole Bracket for easier installation and greater stability.



FEATURES:

- One piece **Deep Drawn** sink bowl design. Sink bowl is 10" x 14" x 5"*. (*7-PS-18 sink bowl is 14" x 16" x 6")
- All sink bowls have a large liberal radii with a minimum dimension of 2" and are rectangular in design for increased capacity.
- Keyhole wall mount bracket.
- Stainless steel basket drain 1-1/2" IPS.
- Flush-to-wall unit.
- "Hands Free" splash mounted gooseneck faucet furnished with aerator.
- Foot Pedal Valve for water operation.
- Easy removable panel to access hidden plumbing.

Specific Features:

- 7-PS-95** towel dispenser with hinged towel box. Unit uses standard C-fold towels. Liquid Soap dispenser.
- 7-PS-99** towel dispenser & soap dispenser plus trash receptacle & cabinet storage.

CONSTRUCTION:

- All TIG welded.
- Welded areas blended to match adjacent surfaces and to a satin finish.
- Die formed Countertop Edge with a No-Drip offset.
- One sheet of stainless steel - No Seams.

MATERIAL:

- Heavy gauge type 304 series stainless steel.
- Wall mounting bracket is galvanized and of offset design.
- All fittings are brass / chrome plated unless otherwise indicated.

MECHANICAL:

- Faucet supply is 1/2" IPS male thread hot and cold.
- Single pedal mixing valve with brass & rough chrome plated with built in check valve. Front operated temperature adjustment.
- (Contractor on site must connect faucet to foot pedal operated valves.)

Standard Faucet conforms to NSF 61 Standard 9. An optional faucet upgrade is required for compliance to AB 1953 Standards.

For Replacement Faucets & Upgrades, Drains & Accessories visit our website at www.advancetabco.com

NOW AVAILABLE
Tankless Electric Heater
 Only Needs Cold Water Supply
7-PS-92



Please See Tankless Heater Specification Sheet for Details



Customer Service Available To Assist You 1-800-645-3166 8:30 am - 8:00 pm E.S.T.
 Email Orders To: customer@advancetabco.com. For Smart Fabrication™ Quotes, Email To: smartfab@advancetabco.com or Fax To: 631-586-2933

NEW YORK
 Fax: (631) 242-6900

GEORGIA
 Fax: (770) 775-5625

TEXAS
 Fax: (972) 932-4795

NEVADA
 Fax: (775) 972-1578

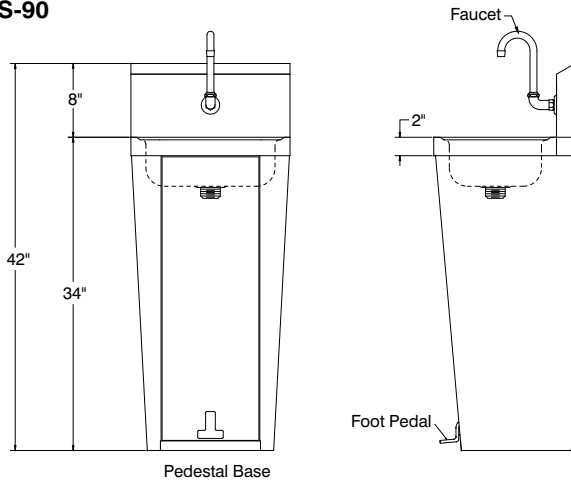
DIMENSIONS and SPECIFICATIONS

TOL Overall: ± .500" Interior: ± .250"

FITTINGS SUPPLIED AS SHOWN

ALL DIMENSIONS ARE TYPICAL

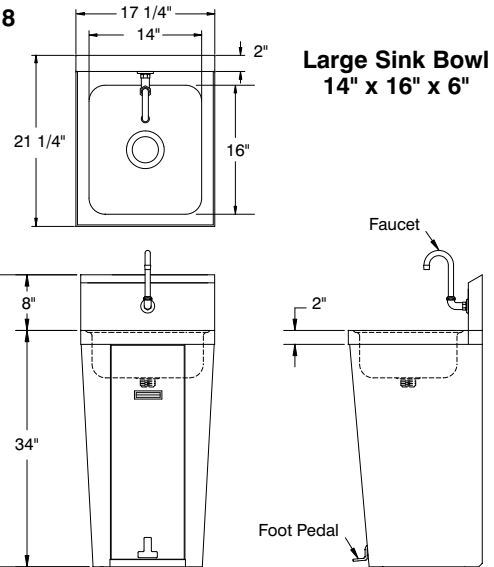
7-PS-90



41 lbs.

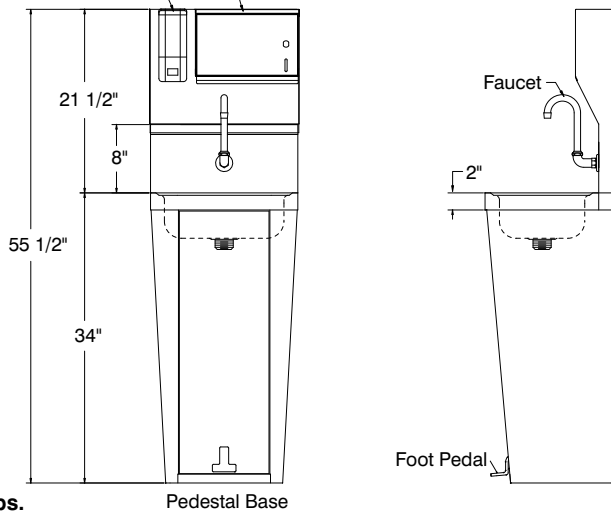
Pedestal Base

7-PS-18



50 lbs.

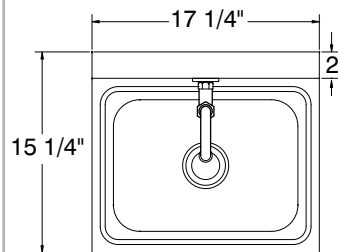
7-PS-95 Towel Dispenser Soap Dispenser



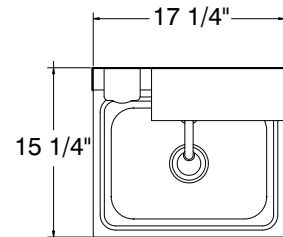
54 lbs.

Pedestal Base

TOP VIEW 7-PS-90

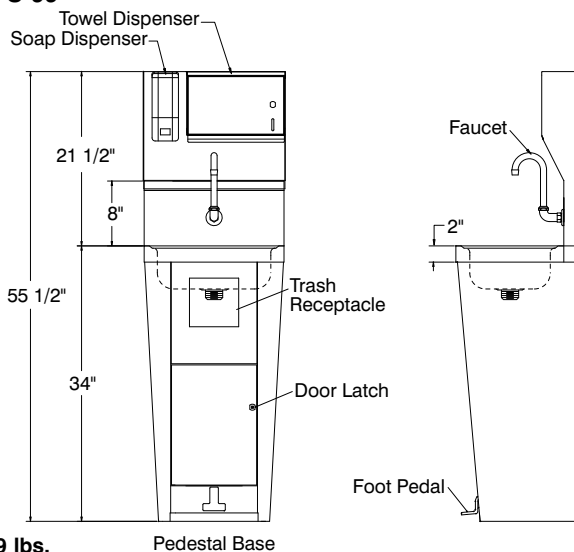


TOP VIEW 7-PS-95 & 7-PS-99



Sink Bowls 10" x 14" x 5"

7-PS-99



59 lbs.

Pedestal Base

REAR VIEW OF STANDARD PEDESTAL BASE UNITS

