



STAINLESS STEEL  
**ECONOMY DISHTABLES**  
**CLEAN STRAIGHT**

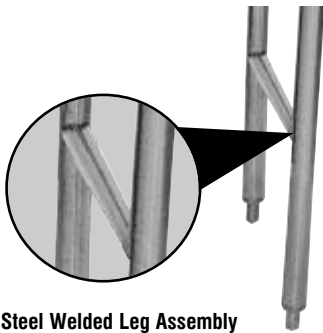
16 Gauge, 304 Stainless Steel



*Item #:* \_\_\_\_\_ *Qty #:* \_\_\_\_\_  
*Model #:* \_\_\_\_\_  
*Project #:* \_\_\_\_\_



DTC-S60-60L-X Shown



**Stainless Steel Welded Leg Assembly with Cross Bracing**  
 (Standard on S70 Series)

**FEATURES:**

Tile edge for ease of installation.  
 Dishtable system consists of SOIL and CLEAN sections.  
 Table is furnished with 10-1/2" Backsplash with a 2" return.

**S70 SERIES:** Stainless Steel Welded Leg Assembly with Cross Bracing.  
 Stainless Steel Legs with Stainless Steel Bullet Feet.

**S60 SERIES:** Galvanized Legs with Plastic Bullet Feet.

**CONSTRUCTION:**

All TIG welded.  
 Welded areas blended to match adjacent surfaces and to a satin finish.  
 Stainless Steel Gussets welded to a stainless steel support channel.

16 Gauge 304 TOP S/S Welded Leg Assembly, Stainless Steel Bullet Feet	16 Gauge 304 TOP Galvanized Legs Plastic Bullet Feet
---	--

Nominal Size	"L"	S70 SERIES	S60 SERIES	Approx. Wt.
2 Ft.	24"	DTC-S70-24L or R-X	DTC-S60-24L or R-X	35 lbs.
3 Ft.	36"	DTC-S70-36L or R-X	DTC-S60-36L or R-X	45 lbs.
4 Ft.	48"	DTC-S70-48L or R-X	DTC-S60-48L or R-X	60 lbs.
5 Ft.	60"	DTC-S70-60L or R-X	DTC-S60-60L or R-X	70 lbs.
6 Ft.	72"	DTC-S70-72L or R-X	DTC-S60-72L or R-X	85 lbs.
8 Ft.	96"	DTC-S70-96L or R-X	DTC-S60-96L or R-X	110 lbs.

Nominal sizing for ease of installation.



**Optional Stainless Steel UNDERSHELF with Die Cast LEG CLAMP**

secured to shelf eliminates unsightly nuts & bolts

ACCESSORIES	Model #	Qty
Prerinse Faucet	DTA-53-1X	
Rack Shelf		
Undershelf		



DTA-53-1X



**NEW YORK**  
 (800) 645-3166  
 Fax: (631) 242-6900

**GEORGIA**  
 (800) 832-1218  
 Fax: (770) 775-5625

**TEXAS**  
 (800) 527-0353  
 Fax: (972) 932-4795

**NEVADA**  
 (800) 446-8684  
 Fax: (775) 972-1578

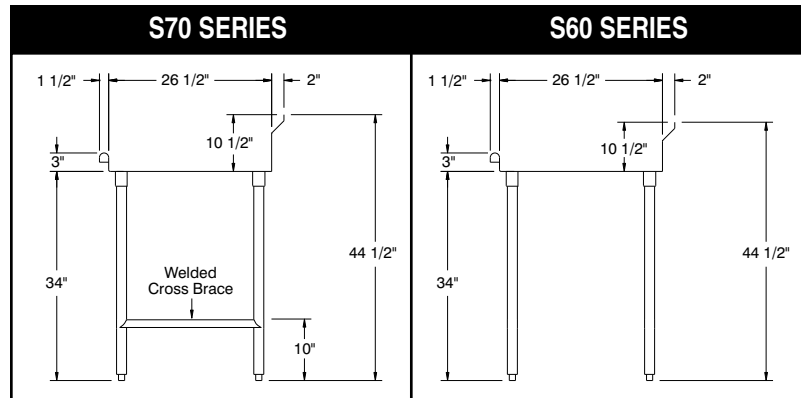
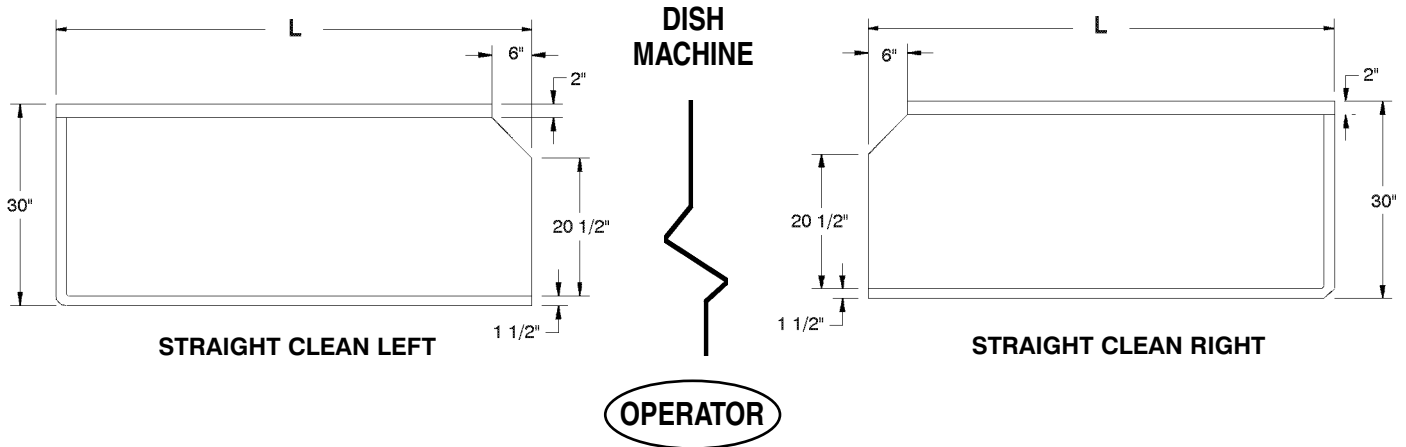
**For Assistance with Smart Modifications & Accessories Call:** **1-800-498-6634 Fax: 631-586-2933**  
 smartfab@advancetabco.com

# DIMENSIONS and SPECIFICATIONS

TOL ± .500"

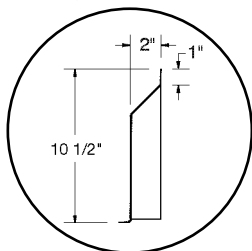
ALL DIMENSIONS ARE TYPICAL

**SEE DISH MACHINE COMPATIBILITY CHART TO ENSURE PROPER FIT**  
**DISH MACHINE COMPATIBILITY CHART CAN BE FOUND IN BACK OF THE SECTION "P" INDEX**



*CUSTOMIZE YOUR OWN SYSTEM  
 by Ordering Optional Accessories from our  
 PRODUCT & PRICE GUIDE*

Splash Detail



Description	S70 SERIES	S60 SERIES
<b>Material</b>	16 Ga. 304 Series	16 Ga. 304 Series
<b>1 5/8" Dia. Legs</b>	Stainless Steel	Galvanized
<b>Gussets</b>	Stainless Steel	Stainless Steel
<b>Bullet Feet (1" adj.)</b>	Stainless Steel	Plastic
<b>Cross Bracing</b>	Welded	Optional



ADVANCE TABCO is constantly engaged in a program of improving our products. Therefore, we reserve the right to change specifications without prior notice.