



# Drop-In Rack Lowerator® Dispensers

PRODUCT:

QUANTITY:

ITEM#:

## Designed Smart.

- |                                  |                                  |                                  |
|----------------------------------|----------------------------------|----------------------------------|
| <input type="checkbox"/> DI 1014 | <input type="checkbox"/> DI 1418 | <input type="checkbox"/> DI 1020 |
| <input type="checkbox"/> DI 1620 | <input type="checkbox"/> DI 1216 | <input type="checkbox"/> DI 1622 |
| <input type="checkbox"/> DI 2020 |                                  |                                  |

## Bid Specifications

- The DI Drop-In Rack Lowerator® Dispenser uses a self-leveling carrier mechanism to dispense cups, glasses or trays in a serving line or at a beverage service point. The unit is easily installed by cutting an opening in the countertop and dropping the dispenser in place. The welded flange supports the unit on the countertop. Made of stainless steel, the dispenser is lightweight and easily removed for cleaning.

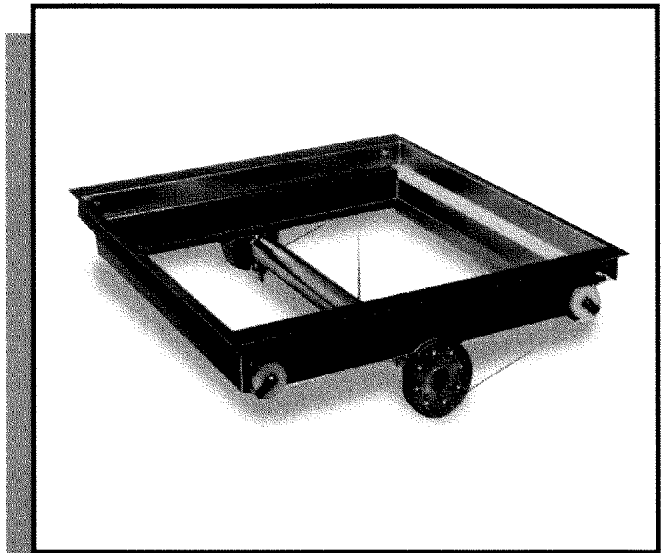
## Dispensing Mechanism

- The dispensing mechanism is field adjustable for a wide range of loads. Standard units adjust from 3.5 lbs. per inch to 10 lbs. per inch load rate. The stainless steel carrier, which cannot bind or tip, is suspended at four corners by nylon-coated, braided metal cables fed off power drums on two sides. This design keeps the top-most tray or rack at a selected dispensing level. The positive, braided cable-stop limits travel of carrier to 24", protecting the mechanism from overextension.

## Built Solid.

### Reliability backed by APW Wyott's Warranty

- All APW Wyott Lowerators® are backed by a 1-year Parts and Labor warranty, including On-Site Service calls within 50 miles of authorized service technicians.
- Certified by the following agencies:



MODEL DI Drop-In Rack Lowerator® Dispenser

## APW Wyott Design Features

- Self-leveling carrier mechanism dispenses cups, glasses or trays.
- Welded flange supports the unit on the countertop.
- Constructed of lightweight stainless steel for easy removal and cleaning.
- Design keeps the top-most tray or rack at a selected dispensing level.
- Cable-stop limits travel of carrier, protecting the mechanism from overextension.

## Options

- Accessory frame rack available
- |          |          |          |
|----------|----------|----------|
| DIF 1014 | DIF 1418 | DIF 2020 |
| DIF 1020 | DIF 1620 |          |
| DIF 1216 | DIF 1622 |          |

See reverse side for product specifications.



## APW Wyott Foodservice Equipment Company

729 Third Avenue • Dallas, TX 75226 • 800-527-2100 • 214-421-7366 • Fax 214-565-0976

For more information e-mail us at: [Info@APWwyott.com](mailto:Info@APWwyott.com)

Rev. 3/1/2000



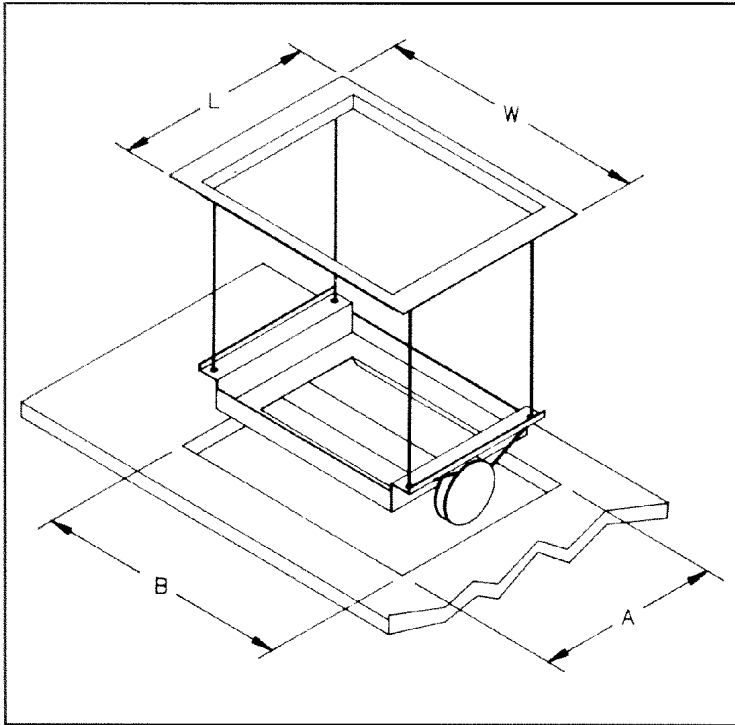
# Drop-In Rack Lowerator® Dispensers

Model: DI

PRODUCT:

QUANTITY:

ITEM#:



## PRODUCT SPECIFICATIONS

### Capacity:

(All models) Up to 11 dozen cups, to 14 dozen glasses, to 130 trays.

### Carrier Travel:

24 Inches.

### Vertical Clearance Beneath Top:

29 Inches.

### Load Capacity:

200 pounds.

### Storage Under Countertop:

25 Inches.

## Model DI Drop-In Rack Lowerator® Dispensers

F.O.B./ Cheyenne, WY

Model Number	Rack or Tray Size	Dimensions				*Accessory Frame Rack Catalog Number	**Accessory Frame Rack Dimensions	
		Flange		Counter Cut-Out			X	Y
		W	L	B	A			
DI-1014	10 x 14	19	14	18	13	DIF-1014	17 <sup>5</sup> / <sub>8</sub>	12 <sup>3</sup> / <sub>4</sub>
DI-1020	10 x 20	25	13 <sup>1</sup> / <sub>4</sub>	24	12 <sup>1</sup> / <sub>4</sub>	DIF-1020	23 <sup>5</sup> / <sub>8</sub>	12
DI-1418	14 x 18	23	7 <sup>1</sup> / <sub>4</sub>	22	16 <sup>1</sup> / <sub>4</sub>	DIF-1418	21 <sup>1</sup> / <sub>8</sub>	16
DI-1216	12 x 16	21	15	20	14	DIF-1216	—	—
DI-1620	16 x 20	25	19 <sup>1</sup> / <sub>4</sub>	24	18 <sup>1</sup> / <sub>4</sub>	DIF-1620	23 <sup>5</sup> / <sub>8</sub>	18
DI-1622	16 x 22	27	19 <sup>1</sup> / <sub>4</sub>	26	18 <sup>1</sup> / <sub>4</sub>	DIF-1622	25 <sup>5</sup> / <sub>8</sub>	18
DI-2020	20 x 20	25	23 <sup>1</sup> / <sub>4</sub>	24	22 <sup>1</sup> / <sub>4</sub>	DIF-2020	23 <sup>5</sup> / <sub>8</sub>	22

\*Sold Separately

\*\*Frame racks are 31<sup>1</sup>/<sub>8</sub>" H

### World Class Support

World Class Sales Support to assist you with finding the right solution to your operation's needs. Call Customer Service at (800) 527-2100 or Fax your request to (214) 565-0976. For more information about APW Wyott's World Class Support and High Performance Equipment, look us up on the Internet at [www.APWwyott.com](http://www.APWwyott.com)

Most Extensive Service System in the Industry! APW Wyott has three levels of service support for your needs:

- Direct Service Hot Line to Service Department, call (800) 752-0863.
- To find the Registered Service Technician in your area, call Automated Service Hot Line at (800) 733-2203.
- National Service Cooperative®, call (800) 298-1862.

APW Wyott reserves the right to modify specifications or discontinue models without incurring obligation.



## APW Wyott Foodservice Equipment Company

729 Third Avenue • Dallas, TX 75226 • 800-527-2100 • 214-421-7366 • Fax 214-565-0976

For more information e-mail us at: [Info@APWwyott.com](mailto:Info@APWwyott.com)

Rev. 3/1/2000 #1315