

PRODUCT:

QUANTITY:

ITEM:

## Designed Smart

### RTR-8 Refrigerated Countertop Unit

- Refrigerated countertop system that keeps everything at NSF safe temperatures.
- Holds 4 pans 1/6<sup>th</sup> size by 4" deep in the lower section and 4 pans size 1/6<sup>th</sup> size by 6" deep in the upper section.
- Each pan has its own hinged, removable cover.
- All pans are completely removable for easy cleaning.
- All stainless steel construction and 1/2" nonadjustable legs.
- Cold well refrigeration system utilizes a 1/5 HP compressor
- Pumps are available.



Model: RTR-8 Refrigerated Topping Rail

### RTR-4 Refrigerated Countertop Unit

- Smaller model for tight counter space.
- Refrigerated countertop system that keeps everything at NSF safe temperatures.
- Holds 4 pans 1/6<sup>th</sup> size by 6" deep.
- Each pan has its own hinged, removable cover.
- All pans are completely removable for easy cleaning.
- All stainless steel construction and 1/2" nonadjustable legs.
- Cold well refrigeration system utilizes at 1/6 HP compressor.



Model: RTR-4 Refrigerated Topping Rail

## APW Wyott Design Features

- Stainless steel construction.
- RTR-8 has 1/5 HP refrigeration unit.
- RTR-4 has 1/6 HP refrigeration unit.
- Removable polycarbonate food wells with hinged acrylic covers.
- Optional 4" adjustable legs available for the RTR-8.
- Pumps are available.

## Option and Accessories

- COMP-5 5-year compressor warranty
- LEGS-4 4" adjustable legs available for the RTR-8 (4939100)

## Reliability backed by APW Wyott's Warranty

APW Wyott Refrigerated Topping Rails are backed by a 1-year parts and labor warranty, including on-site service calls within 50 miles of authorized service technicians.

•Certified by the following agencies:



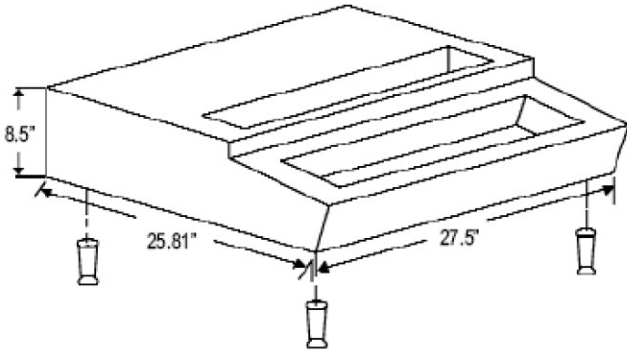
See reverse side for product specifications.

PRODUCT:

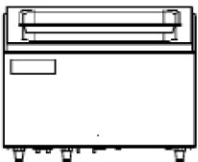
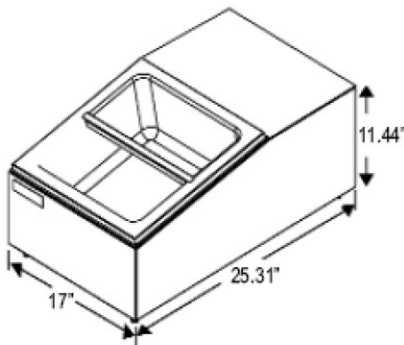
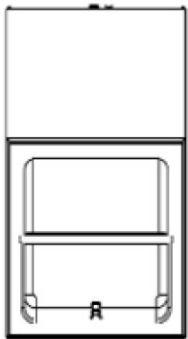
QUANTITY:

ITEM:

Model: RTR-8



Model: RTR-4



## PRODUCT SPECIFICATIONS

### Construction:

Stainless steel exteriors with stainless steel food wells. RTR-8 utilizes 1/5 Hp refrigeration unit. RTR-4 utilizes a 1/6 HP unit. RTR-8 comes with 8 hinges polycarbonate pans. RTR-4 comes with 4 hinged polycarbonate pans. Refrigeration is a cold wall system and utilizes a R-134a (CFC free) refrigerant.

### Electrical Specifications:

RTR-8: 120V, 480W, 60 Hz, 1 Ph, 4 Amps

RTR-4: 120V, 360W, 60 Hz, 1 Ph, 3 Amps

### Capacity:

RTR-8 holds (4) 1/6 size 4" deep pans and (4) 1/6 size 6" deep pans (pans and covers included)

RTR-4 holds (4) 1/6 size 6" deep pans

### Overall Dimensions:

RTR-8: 8 1/2"H x 27 1/2"W x 25 13/16"D  
(21.6 cm x 69.9 cm x 65.6 cm)

RTR-4: 11 7/16"H x 17"W x 25 5/16"D

### Shipping:

RTR-8: 108 lbs (49 kg)

RTR-4: 78 lbs (35.4 kg)

**Freight Class:** 100

**FOB:** Cheyenne, WY

\*APW Wyott reserves the right to modify specifications or discontinue models without incurring obligation.