



KCH-DS

Direct Steam Modular Cabinet Base Kettle with Heavy Duty Hydraulic Tilt



OPTIONS AND ACCESSORIES

(AT ADDITIONAL CHARGE)

- Etched markings
 - Gallons
 - Litres
- Strainers
 - Solid
 - Perforated
 - Strainer hook
- 316 stainless steel liner for 60 gallon
- 50 PSI (345 kPa) high pressure operation for higher cooking temperature
- Graduated measuring strip
- 220 volt power supply

Project _____

Item No. _____

Quantity _____

- Model KCH-30DS - 30 gallon (114 litres) direct steam cabinet base kettle with hydraulic tilt
- Model KCH-40DS - 40 gallon (151 litres) direct steam cabinet base kettle with hydraulic tilt
- Model KCH-60DS - 60 gallon (227 litres) direct steam cabinet base kettle with hydraulic tilt

CONSTRUCTION

- Stainless steel kettle mounted in enclosed cabinet base
- 2/3 jacketed
- Hemispherical design on bottom of kettle for superior heat circulation
- 316 stainless steel interior cooking surface for added corrosion resistance for 30 and 40 gallon
- 1/2 HP hydraulic tilt system for complete emptying of kettle. Tilting may be stopped at any time without the kettle tilting back.
- Stainless steel counter top
- Steam control valve mounted in counter top
- Polished stainless steel doors with magnetic latches

STANDARD FEATURES

- 2" (50mm) sanitary draw off valve
- Deck mounted hot and cold water fill faucet
- Steam trap assembly
- Removable swing drain and strainer
- One piece stainless steel spring assist cover
- 6" stainless steel legs with hold down feet at rear
- Removable pan support
- 120VAC, single phase, 60 hz
- One year parts and labor warranty*

* For all international markets, contact your local distributor.

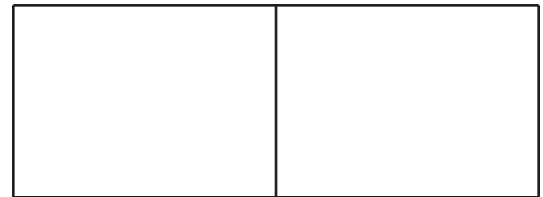


KCH-DS CABINET BASE HYDRAULIC TILT KETTLE

BLODGETT

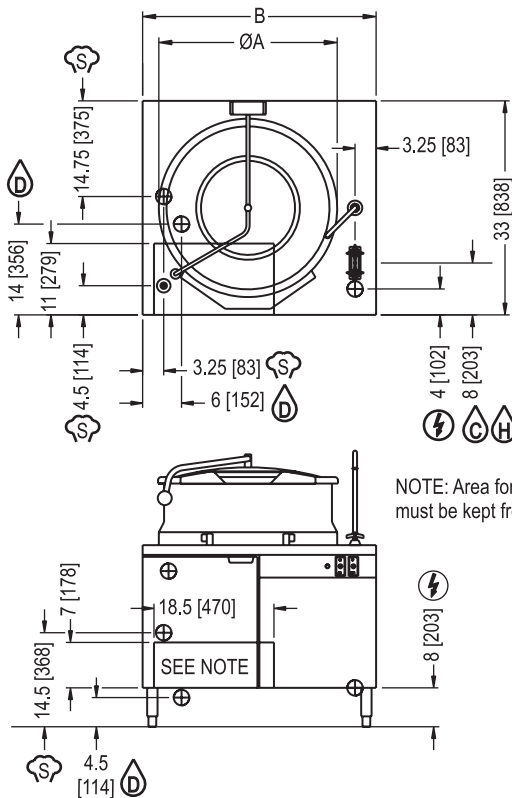
www.blodgett.com

44 Lakeside Avenue, Burlington, VT 05401 • Phone: (802) 658-6600 • Fax: (802) 864-0183

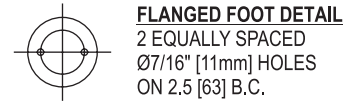


KCH-DS CABINET BASE TILTING KETTLE

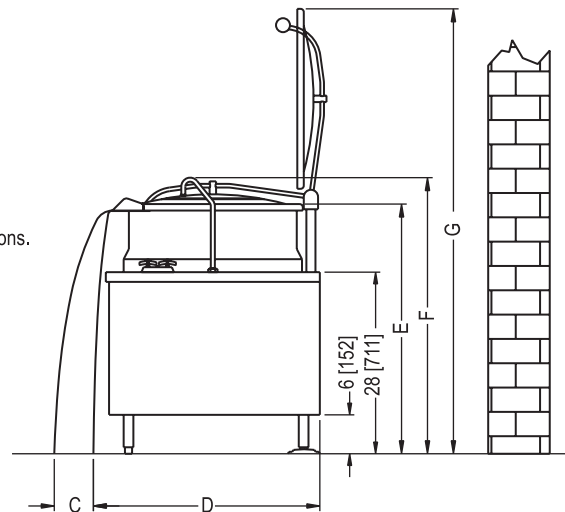
APPROVAL/STAMP



DIMENSIONS ARE IN INCHES [MM].



NOTE: Area for kettle draw off must be kept free of all piping connections.



MODEL	A	B	C	D	E	F	G
KCH-30DS	24[610]	36[914]	16[406]	39[991]	37.25[946]	41.5[1054]	62.25[1657]
KCH-40DS	26[660]	36[914]	15[381]	40[1016]	38.38[975]	42.5[1080]	68.25[1733]
KCH-60DS	29.5[749]	42[1067]	16[406]	43[1092]	41.12[1045]	47.62[1210]	74.25[1886]

SHORT FORM SPECIFICATIONS

Provide Blodgett model KCH-30DS (30 gallon), KCH-40DS (40 gallon) or KCH-60DS (60 gallon) direct steam modular cabinet base tilting kettle. The unit shall have a double wall interior to form a steam jacket around the lower 2/3 of the kettle. The bottom of the kettle shall be of hemispherical design for superior heat circulation. Unit shall have steam control valve and hot/cold water fill faucet mounted on the stainless steel countertop. Unit shall be equipped with 2" (50mm) sanitary draw off, enclosed for sanitary purposes. A steam trap is standard. The swing drain for draw off shall be removable without tools and shall be equipped with removable strainer. Unit shall have a one piece stainless steel spring assist cover and 6" stainless steel legs with hold down feet at rear. The cabinet doors shall be polished stainless steel with magnetic latches. The unit shall have a 1/2 HP hydraulic system for tilting and a removable pan support. Unit shall be ASME code stamped and National Board registered. Provide options and accessories as indicated.

PIPING REQUIREMENTS:

Steam Supply 3/4" IPS
Condensate Return 1/2" IPS

STEAM PRESSURE:

Minimum 5 PSI (34 kPa)
Maximum 35 PSI (241 kPa) standard kettle
50 PSI ((345 kPa) optional high pressure kettle

Pressure reducing valve required if incoming steam pressure exceeds the kettle rating.

WATER SUPPLY:

Cold/Hot Water 3/8" nominal tubing to faucet

POWER SUPPLY

120VAC, single phase, 60 hz
1/2" conduit connection to controls

SHIPPING INFORMATION:

Approx. Weight:
KCH-30DS 525 lbs. (238 kg)
KCH-40DS 575 lbs. (261 kg)
KCH-60DS 650 lbs. (295 kg)

NOTE: The company reserves the right to make substitutions of components without prior notice.

BLODGETT

www.blodgett.com

44 Lakeside Avenue, Burlington, VT 05401 • Phone: (802) 658-6600 • Fax: (802) 864-0183