

SlidingLid™ Ice Caddies

Tall

125 lb. (57 Kg.) Capacity

Models ICS125T, ICS125T4S

StoreSafe™

Features & Benefits

- Indoors or outdoors, in heat or humidity, these sleek models keep their cool and can hold ice cold for days. They provide reliability, value and safer holding for up to 125 lbs. (57 kg.) of ice. Tall models keep ice at a more comfortable dispensing level.
- Unique sliding lid has no latches. Slides back and under into the secured base lid for quick access and it slides shut for safe and sanitary storage. Helps reduce the risk of cross contamination.
- Four sturdy thumbscrews secure base lid tightly during transport and when sliding top back and under.
- Service opening is 11 1/2" (29,2 cm) x 17" (43,2 cm) for quick and easy loading and unloading of ice.
- Double-wall, high density, polyethylene construction is impact resistant and will not dent, crack, bubble, chip or break. Easy to clean.
- Thick polyurethane foam insulation keeps ice frozen. Reduces frequency of restocking, ensuring quick and convenient service.
- Recessed, leak proof, quarter-turn faucet is located on the front of every unit for easy access and quick draining.
- Recessed interior well with Camwear® polycarbonate drain shelf keeps ice out of any melted water, ensuring long lasting quality and storage.
- Molded-in handle is sturdy and will not break off. Provides controlled handling and maneuvering.
- Recessed lift grip on the front for safe, balanced lifting on or off delivery trucks.
- Two choices of wheel configurations meet a variety of transport needs.
 - Model ICS125T - Four each 5" (12,7 cm) casters, 2 fixed, 2 swivel, 1 w/ brake
 - Model ICS125T4S - Four each 5" (12,7 cm) casters, 4 swivel, 1 w/ brake
- No assembly required.
- Available in 13 colors.

Item No. _____

Specifier Identification No. _____


Model No. _____

Quantity _____



ICS125T

Approvals

 Patent Pending

SlidingLid™ Ice Caddies

Item No. _____

Specifier Identification No. _____

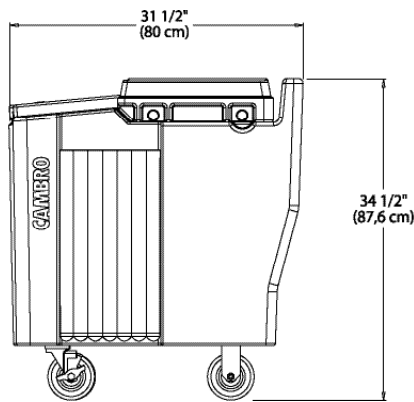
Model No. _____

Quantity _____

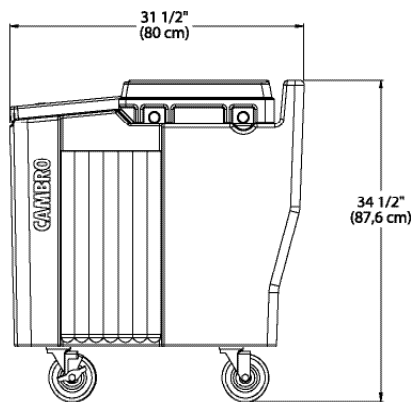
Tall

125 lb. (57 Kg.) Capacity

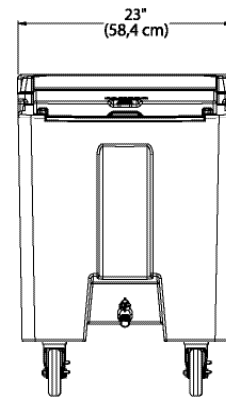
Models ICS125T, ICS125T4S



ICS125T



ICS125T4S



Front/Width

Specifications

Dimension Tolerance: +/- 1/4" (0,64 cm)

Code	Description	Interior Dimensions W x D x H	Exterior Dimensions W x D x H	Case lbs./cube Kg/m ³
ICS125T	SlidingLid Ice Caddy	17" x 24" x 18" (43,2 x 61 x 45,7 cm)	23" x 31 1/2" x 34 1/2" (58,4 x 80 x 87,6 cm)	79 (15,45) 35,8 (0,437)
ICS125T4S	SlidingLid Ice Caddy	17" x 24" x 18" (43,2 x 61 x 45,7 cm)	23" x 31 1/2" x 34 1/2" (58,4 x 80 x 87,6 cm)	79 (15,45) 35,8 (0,437)

Architect Specs

The tall 125 lb. (57 Kg.) capacity SlidingLid Ice Caddy shall be Cambro Model..., manufactured by Cambro Mfg. Co., Huntington Beach, CA 92648 U.S.A. It shall be constructed of single-molded, double-wall, high-density polyethylene and thick foam injected polyurethane. It shall have a sliding lid without latches. The lid shall slide back and under secured base lid. It shall have rounded corners and a molded-in handle. It shall have a 11 1/2" x 17" (29,2 x 43,2 cm) service opening. It shall have a 34 1/2" (87,6 cm) working height. It shall have a recessed, leakproof, quarter turn threaded faucet on the front. It shall have a recessed interior well with unbreakable polycarbonate shelf. It shall be available with 2 different wheel configurations. It shall not require any assembly and be available in 13 colors.

Standard Colors

- Black (110)
- Cold Blue (159)
- Gray (180)
- Granite Gray (191)
- Granite Red (193)
- Dusty Rose (400)
- Dark Brown (131)
- Brick Red (402)
- Granite Green (192)
- Granite Sand (194)
- Slate Blue (401)
- Coffee Beige (157)
- Navy (186)

Approvals



Patent Pending



© 2002 Cambro Manufacturing Company 5801 Skylab Road, Huntington Beach, California 92647-2056-U.S.A.
Telephone (1)714 848 1555 Toll Free 800 854 7631 Customer Service Hot Line 800 833 3003

Printed in USA