

Ultra Pan Carriers®

Top Loading

For GN Food Pans

Models UPC160, UPC180

Features & Benefits



- Rugged and dependable, these Ultra Pan Carriers provide an exact fit for a wide variety of GN Full and Fractional size Food Pans.
- Create a wide variety of service configurations for food transporting using Cambro's GN Fractional Food Pans and 12" (32,5 cm) Divider Bars. Easily transforms the Ultra Pan Carrier into a mini food bar, salad bar or condiment station!
- GN 1/1 Full Size Food Pan capacity:
 - Model UPC160 - 1 each 6" (15 cm) deep
 - Model UPC180 - 1 each 8" (20 cm) deep
- One-piece seamless, double-wall, high-density polyethylene construction is durable, lightweight and dishwasher safe. Textured exterior is scratch resistant.
- Foamed-in polyethylene insulation helps to ensure excellent food temperature retention, hot or cold.
- Recessed vent cap located on the top is easily opened to help equalize pressure and release steam.
- Four durable nylon latches and an airtight gasket ensure excellent temperature holding performance. Latches will not rust and gasket removes for complete cleaning.
- Easy to load and unload by removing Food Pans using finger notches.
- Molded-in handles on all four sides provides a comfortable grip for easy transporting.
- Unique interlock design on the bottom and top corners ensures secure stacking for more efficient transportation and storage. Also stacks with Camcarriers®.
- Optional Camdollies™ offer easy transporting.
- Non-electrical.
- No assembly required.
- Available in 13 colors. Color variety offers quick food content identification and inventory control at-a-glance.

Item No. _____

Specifier Identification No. _____

Model No. _____

Quantity _____



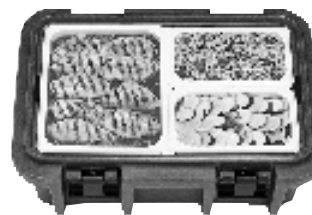
UPC140
(See pg. 21)

UPC180

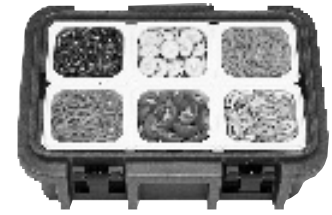
UPC100
(See pg. 21)

UPC160

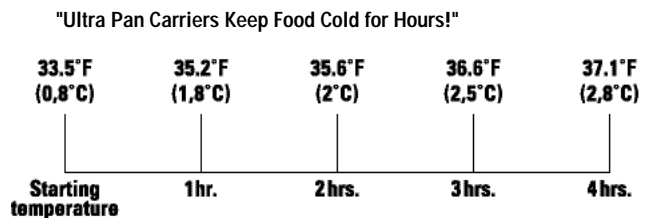
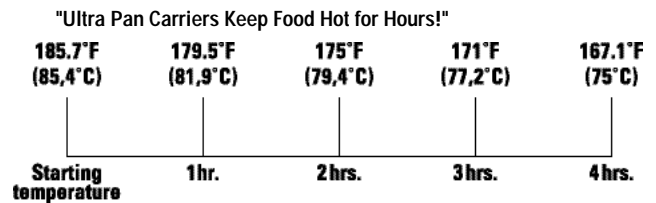
(Shown with 2 each 1/6, 1 each 1/3, and 3 each 1/9 GN Size Food Pans plus 2 each DIV12 Divider Bars.)



GN Food Pan configuration includes:
One 1/2 Size Food Pan
Two 1/4 Size Food Pans
One DIV12 Divider Bar



GN Food Pan configuration includes:
Six 1/6 Size Food Pans
Two DIV12 Divider Bars



Approvals



Ultra Pan Carriers®

Top Loading

For GN Food Pans

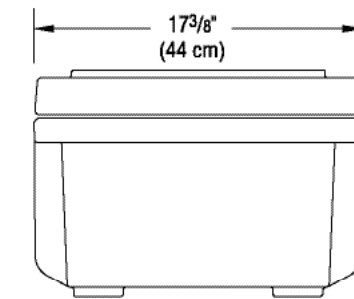
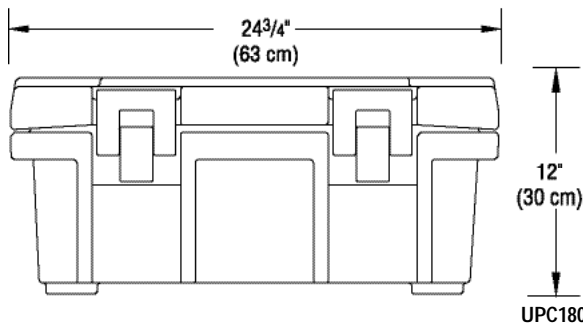
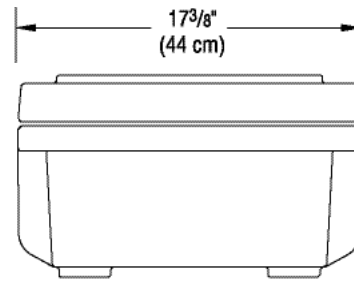
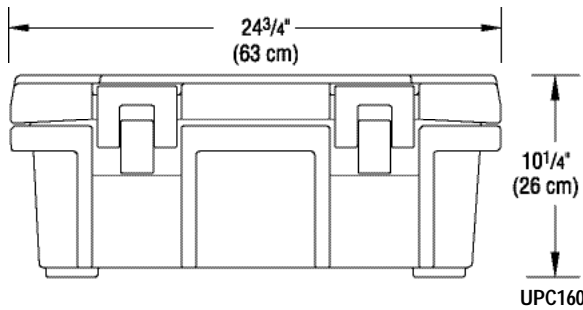
Models UPC160, UPC180

Item No. _____

Specifier Identification No. _____

Model No. _____

Quantity _____



Specifications

Dimension Tolerance: +/- 1/4" (0,64 cm)

Code	Description	Approx. Capacity	Exterior Dimensions L x W x H	Case lbs./cube Kg/m ³
UPC160	Ultra Pan Carrier	20 qts. (18,9 L)	24 ³ / ₄ " x 17 ³ / ₈ " x 10 ¹ / ₄ " (63 x 44 x 26 cm)	20,75 (2,72) 9,4 (0,076)
UPC180	Ultra Pan Carrier	24.5 qts. (23,2 L)	24 ³ / ₄ " x 17 ³ / ₈ " x 12" (63 x 44 x 30 cm)	21,5 (3,18) 9,8 (0,089)

Optional Accessories

- Divider Bar** DIV12 White (148) Clear (135)
- Camdolly™** CD160 for UPC140, UPC160, UPC180

Standard Colors

- Dusty Rose (400) Navy Blue (186) Slate Blue (401)
- Coffee Beige (157) Dark Brown (131) Brick Red (402)
- Green (519) Black (110) Hot Red (158)
- Granite Gray (191) Granite Green (192)
- Granite Red (193) Granite Sand (194)

Architect Specs

The portable non-electrical hot and cold GN food pan transport carriers shall be an Ultra Pan Carrier, Models, manufactured by Cambro Mfg. Co., Huntington Beach, CA 92648 U.S.A. It shall be made of one-piece, seamless, double-wall, high-density polyethylene and foam-injected polyurethane. It shall have a recessed vent cap on the outside top cover to help equalize pressure and release steam. It shall have an airtight gasket that is easily removable for cleaning. It shall transport GN Full Size and Fractional Size Food Pans with the use of 12" (32,5 cm) Divider Bars. It shall have four durable, nylon over-center latches. It shall have four E-Z grip molded-in handles on the sides. It shall be available with a unique interlock design on the bottom and top corners to provide secure stacking for transport and storage. It shall stack with Camcarriers. It shall require no assembly and shall be available in 13 colors.

Approvals



© 2002 Cambro Manufacturing Company 5801 Skylab Road, Huntington Beach, California 92647-2056-U.S.A.
Telephone (1)714 848 1555 Toll Free 800 854 7631 Customer Service Hot Line 800 833 3003

Printed in USA