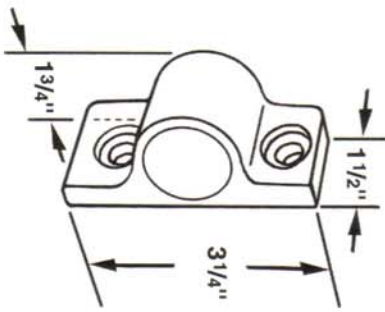
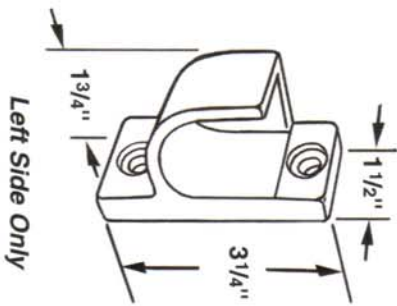


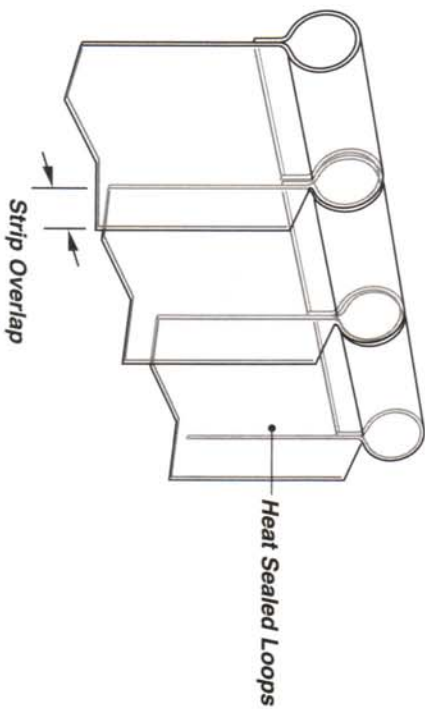
**STANDARD
BRACKET
HARDWARE**



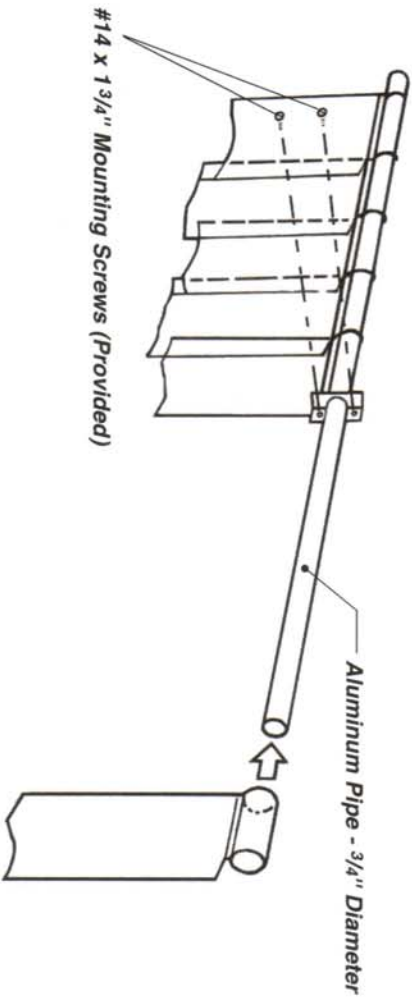
**OPTIONAL
OPEN-END BRACKET
HARDWARE**



OVERLAP CONFIGURATION



**CENTER SUPPORT BRACKET
for Doorways Exceeding 60"**



Strip Width

- 6"
- 8"

PVC Grades

- Standard Non-Reinforced
- Polar Reinforced

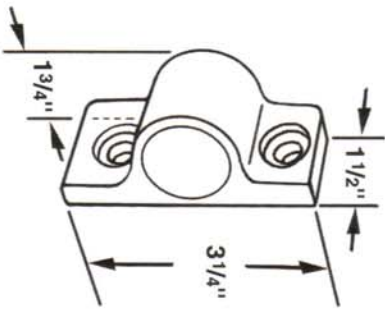


a division of TMI Incorporated

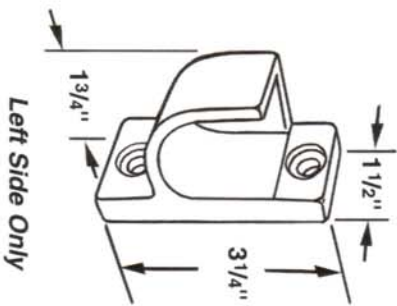
5350 Campbells Run Road • Pittsburgh, PA 15205-9738
800-833-5005
 Phone: 412-787-9750 Fax: 412-787-3665
 E-Mail: info@curtronproducts.com
 Web: www.curtronproducts.com

"M" Series Strip Doors

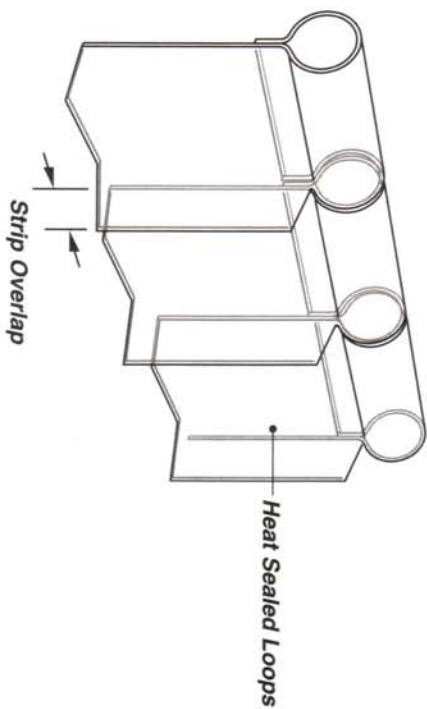
**STANDARD
BRACKET
HARDWARE**



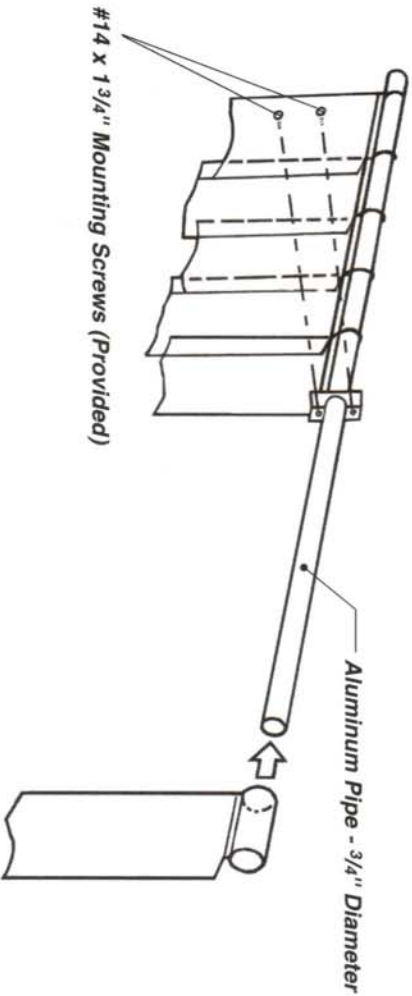
**OPTIONAL
OPEN-END BRACKET
HARDWARE**



OVERLAP CONFIGURATION



**CENTER SUPPORT BRACKET
for Doorways Exceeding 60"**



Strip Width

- 6"
- 8"

PVC Grades

- Standard Non-Reinforced
- Polar Reinforced

Curtron
Products
a division of TMI Incorporated

5350 Campbells Run Road • Pittsburgh, PA 15205-9738

800-833-5005

Phone: 412-787-9750 Fax: 412-787-3665

E-Mail: info@curtronproducts.com

Web: www.curtronproducts.com

"M" Series Strip Doors