



ROYAL SERIES UNDERBAR BEER DRAINERS / REGISTER/COFFEE STANDS

MODEL: _____ PROJECT: _____ ITEM #: _____ QTY: _____

PRODUCT IMAGES



KR18-BD18 SHOWN

KR18-RS24 SHOWN

AVAILABLE IN 1800 or 2100 SERIES

STANDARD FEATURES

- **Front Apron**
20 gauge stainless steel clad over 20 gauge galvanized steel
- **Backsplash**
20 gauge stainless steel
- **Sides**
20 gauge stainless steel
- **Back and Bottom**
20 gauge galvanized steel
- **Legs**
1 5/8" tubular 16 gauge stainless steel with grey plastic bullet foot
- **Plumbing**
1" IPS drain connection (Beer Drainer)



CERTIFICATIONS:

APPROVED BY:

Due to our commitment to continued product improvement, specifications are subject to change without notice.

Printed in the USA

Krowne Metal Corporation

100 Haul Rd. Wayne, NJ 07470 • Toll Free: (800) 631-0442 • Fax: (973) 872-1129
sales@krowne.com • www.krowne.com • www.facebook.com/KrowneMetal • www.twitter.com/KrowneMetal

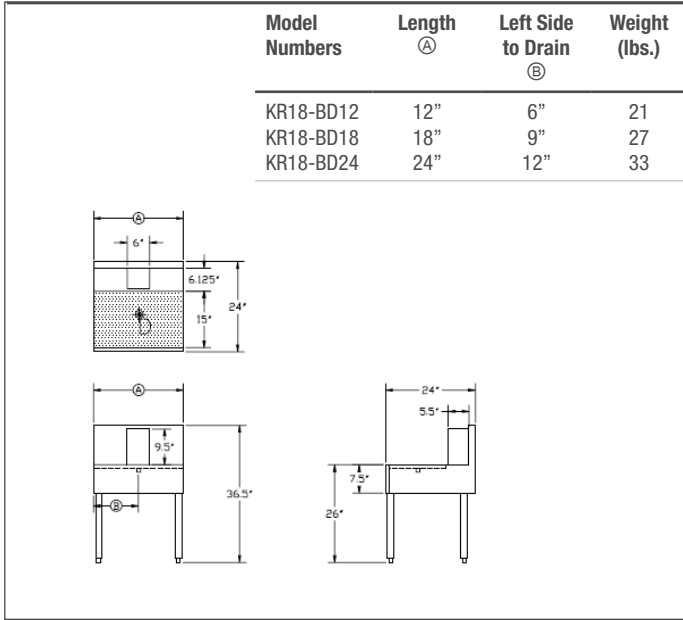
Rev. 09/2011
No. 5.18



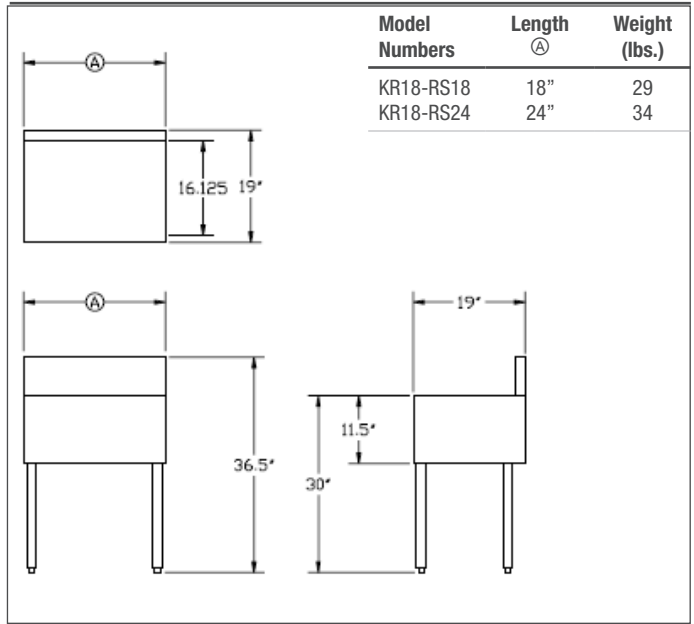
ROYAL SERIES UNDERBAR BEER DRAINERS / REGISTER/COFFEE STANDS

MODEL: _____ PROJECT: _____ ITEM #: _____ QTY: _____

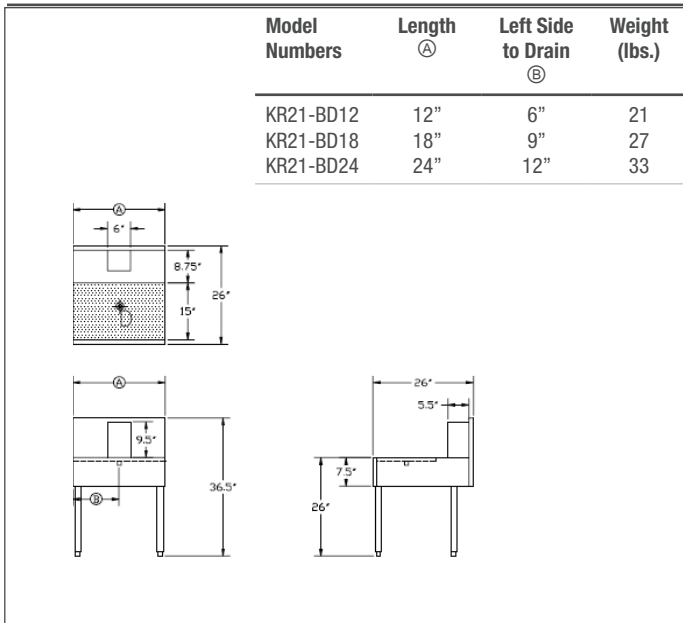
1800 SERIES: BEER DRAINER



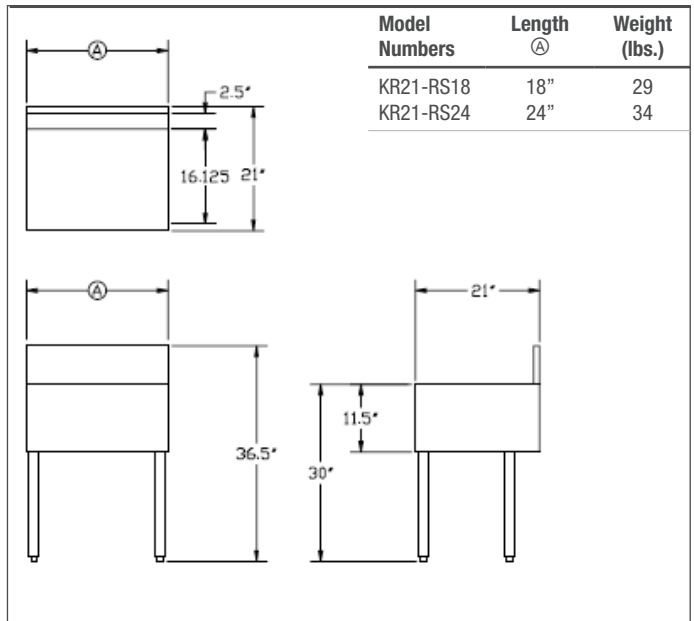
1800 SERIES: REGISTER/COFFEE STANDS



2100 SERIES: BEER DRAINERS



2100 SERIES: REGISTER/COFFEE STANDS



APPROVED BY: _____

CERTIFICATIONS:

Due to our commitment to continued product improvement, specifications are subject to change without notice.

Printed in the USA

Krowne Metal Corporation

100 Haul Rd. Wayne, NJ 07470 • Toll Free: (800) 631-0442 • Fax: (973) 872-1129

sales@krowne.com • www.krowne.com • www.facebook.com/KrowneMetal • www.twitter.com/KrowneMetal

Rev. 09/2011
No. 5.18