

# PUMPS: POUCHED PRODUCTS EXPRESS™ SINGLES

Model SE

## WHAT DO YOU DISPENSE?

- THIN • fountain syrups • liqueur • hot or soy sauce
- THICK • ketchup • mustard • mayo • bbq sauce
- PARTICULATES • tartar sauce • Thousand Island



SE 07010 (ROUND)

SE 07000 (RECTANGULAR)

## BID DESCRIPTION

Constructed of black thermoset polyester vessel, surgical-quality plastic pump, and polished stainless steel lid. The Server Express™ system is ready for countertop or drop-in use.

Capacity is 1½ gallons (or 6 L). Maximum stroke yields 1 ounce (30 mL). Easy-to-adjust portion control reduces yield in ¼ ounce (7 mL) increments. Exclusively uses a pouch with 16 mm fitment. The Server Express™ System achieves up to 98% evacuation.

## STANDARD FEATURES

- Holds 1½ gallon (or 6 L) pouch (with 16 mm fitment)
- Constructed of black thermoset polyester
- Ready for countertop or drop-in use
- New Server pump is constructed of surgical-quality plastic parts—quick to breakdown and completely dishwasher safe
- Pump is ADA compliant, at ½ oz and ¼ oz portions, requiring less than 5 lbs of pressure to dispense
- Maximum stroke yields 1 ounce (30 mL)
- Easy-to-adjust portion control in ¼ ounce (7 mL) increments
- Discharge tube fitting — new design works with ketchup, mustard and mayonnaise
- (2) cleaning brushes included for pump maintenance

## ACCESSORY ITEMS

- Replacement Pump 07794
- Decal Set: Ketchup, Mustard, Mayonnaise 07131
- Single Drip Tray Assembly 07291



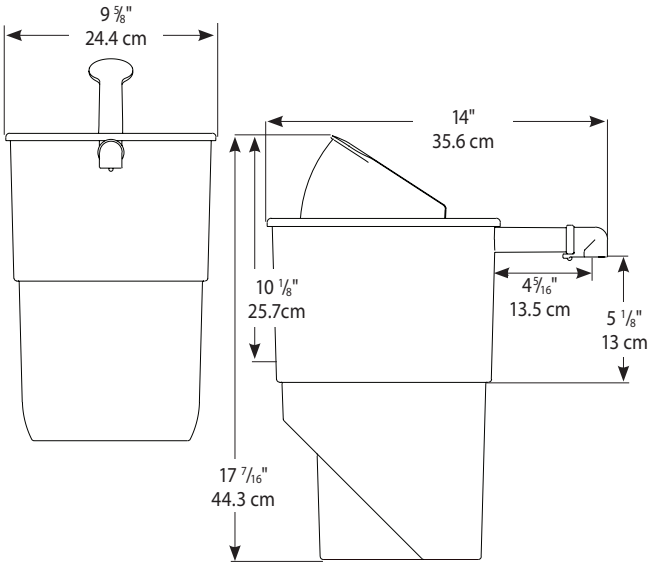
## TWO YEAR WARRANTY

Server Products equipment is backed by a two-year limited warranty against defects in materials and workmanship. For a copy of our complete warranty statement, please refer to [server-products.com](http://server-products.com).

# PUMPS: POUCHED PRODUCTS EXPRESS™ SINGLES

Model SE

## SERVER EXPRESS™ ROUND SE 07010



MODELS ☺☹☹☹	SE 07010	SE 07000
Capacity	1.5 gal 6 L	1.5 gal 6 L
Height	17 7/16" 44.3 cm	17 7/16" 44.3 cm
Width	9 5/8" 24.4 cm	7 1/2" 19.1 cm
Depth	14" 35.6 cm	14" 35.6 cm
Cutout Size	8 1/2" (21.6 cm) diameter	6 3/8" x 8 1/2" (16.2 x 21.6 cm)
Weight	8 lb (3.6 kg)	

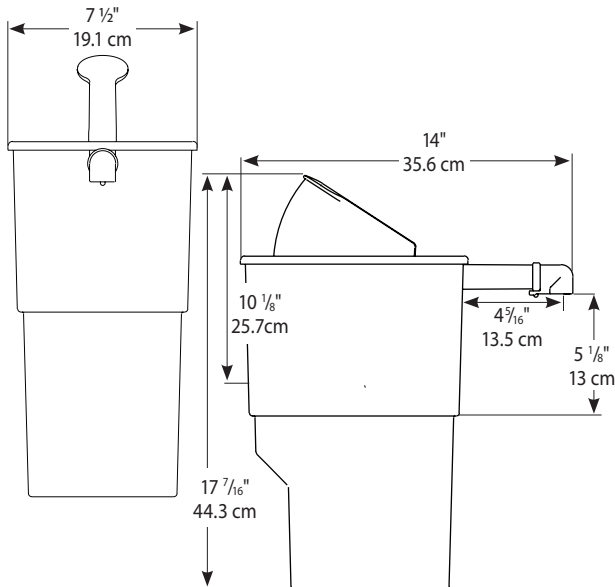
Accessory  
(07000 Only)

Brushed (#4) finish, stainless steel shroud (67697). Slides over portion that drops in for a finished look in countertop applications.



FOB RICHFIELD, WISCONSIN 53076

## SERVER EXPRESS™ RECTANGULAR SE 07000



## CAD LIBRARY

Individual CAD images can be downloaded free of charge from our website. Our complete collection of CAD files, along with more than 100 other manufacturers, can be purchased through Kochman Consultants, Ltd. at [kclcad.com](http://kclcad.com).