

# PUMPS: POUCHED PRODUCTS SLIM EXPRESS™ MULTIPLES

Models SLE-2, SLE-3 & SLE-6

## WHAT DO YOU DISPENSE?

- THIN • fountain syrups • liqueur • hot or soy sauce
- THICK • ketchup • mustard • mayo • bbq sauce
- PARTICULATES • tartar sauce • Thousand Island



  
SLE-2 07520



  
SLE-3 07530



  
SLE-6 07540

## BID DESCRIPTION

Slim Server Express™ multiples have half the capacity of standard Express™ units. Each are constructed of a brushed (#4) finish stainless steel base and lid with NSF listed plastic pumps. Dispensing levers are black polypropylene.

Capacity is 3 quarts (2.8 L) per pouch. Pumps yield 1 ounce (30 mL) per stroke with portion control to reduce the yield in ¼ ounce (7 mL) increments. Exclusively uses 3 quart (2.8 L) pouches with 16 mm fitment. This size pouch is available in limited markets, so be sure product is available before purchasing.

The Slim Server Express™ is designed to work best with smooth condiments and sauces achieving up to 97% evacuation.

## STANDARD FEATURES

- Pump several condiments from one space-saving unit
- Countertop unit needs no installation
- Holds 3 quart (2.8 L) size pouches with 16 mm fitment
- NSF Listed pump is quick to breakdown
- Maximum stroke yields 1 ounce (30 mL)
- Easy-to-adjust portion control in ¼ ounce (7 mL) increments

## ACCESSORY ITEMS

- Replacement Pump 07794
- Drip Tray Assembly 07291 (Slim Twin)
- Drip Tray Assembly 07324 (Slim Sextuple)

## TWO YEAR WARRANTY

Server Products equipment is backed by a two-year limited warranty against defects in materials and workmanship. For a copy of our complete warranty statement, please refer to [server-products.com](http://server-products.com).



**ADA**  
compliant

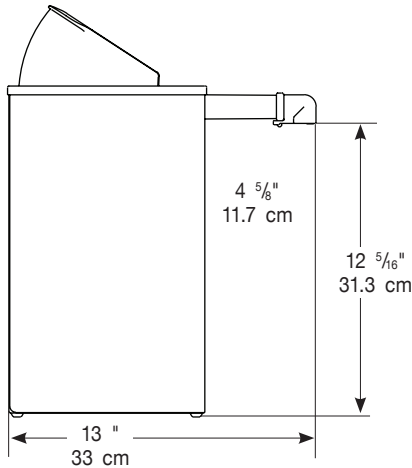
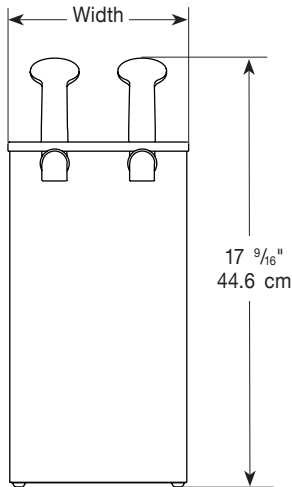


**2**  
YEAR  
WARRANTY

# PUMPS: POUCHED PRODUCTS SLIM EXPRESS™ MULTIPLES

Models SLE-2, SLE-3 & SLE-6

## SLIM SERVER EXPRESS™



MODELS ☉☉☉	SLE-2 07520	SLE-3 07530	SLE-6 07540
Capacity <small>Per pump section</small>	3 qt 2.8 L	3 qt 2.8 L	3 qt 2.8 L
Height	17 <sup>9</sup> / <sub>16</sub> " 44.6 cm	17 <sup>9</sup> / <sub>16</sub> " 44.6 cm	17 <sup>9</sup> / <sub>16</sub> " 44.6 cm
Width	7 <sup>7</sup> / <sub>16</sub> " 18.9 cm	11" 28 cm	21 <sup>13</sup> / <sub>16</sub> " 55.4 cm
Depth	13" 33 cm	13" 33 cm	13" 33 cm
Weight	NA	NA	NA

### Food Product Availability

Contact your food distributor for product availability of the new 3 quart (2.8L) size pouch with 16 mm fitment. Our customer service department is also available for assistance.

FOB RICHFIELD, WISCONSIN 53076

## CAD LIBRARY

Individual CAD images can be downloaded free of charge from our website. Our complete collection of CAD files, along with more than 100 other manufacturers, can be purchased through Kochman Consultants, Ltd. at [kclcad.com](http://kclcad.com).