

**Product Specifications**

**Refrigerated Self-Service Drop-In Counter Case - Two Display Levels**

Lengths include end panels

- DOS3623R 38-1/8"L x 28-5/8"D x 46-3/4"H
- DOS4823R 50-1/8"L x 28-5/8"D x 46-3/4"H



**STANDARD FEATURES**

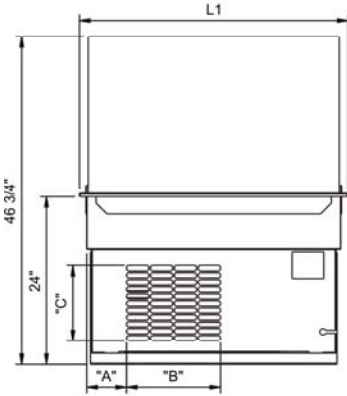
- Breeze™ w/ EnergyWise s/c refrigeration (rear access/ventilation )
- Compressor air rear intake, rear discharge
- Glass ends
- Integrated average product temperature of 40°F or less
- NOTE: A vent in the front of the counter is recommended to help dissipate compressor heat.
- NOTE: Height of display case above counter is 22 3/4"
- One year parts & labor; 5 year compressor warranty
- Shelving removable and adjustable on 1" centers
- T-8 top light

Features	Standard	Options
<b>EXTERIOR COLOR</b>	<input type="checkbox"/> Black	<input type="checkbox"/> Stainless steel
<b>INTERIOR COLOR</b>	<input type="checkbox"/> Black	<input type="checkbox"/> Stainless steel
<b>UPPER REAR</b>	<input type="checkbox"/> Solid back panel	<input type="checkbox"/> Clear glass rear sliding doors with inner acrylic plenum <input type="checkbox"/> Clear glass rear swinging doors with inner acrylic plenum
<b>SHELVING</b>	<input type="checkbox"/> Clear glass shelf, non-lighted	<input type="checkbox"/> 3"H Full depth display riser(s) (n/a w/shelf) <input type="checkbox"/> Clear glass shelf, lighted (LED) <input type="checkbox"/> Clear glass shelf, lighted (T-8)
<b>ELECTRICAL CONNECT</b>	<input type="checkbox"/> 6' straight blade power cord (self cont.)	<input type="checkbox"/> 6' locking power cord (self cont.) <input type="checkbox"/> Electrical leads (remote)
<b>REFRIGERATION</b>	<input type="checkbox"/> Breeze™ w/ EnergyWise s/c refrigeration (rear access/ventilation )	<input type="checkbox"/> Breeze™ w/ EnergyWise s/c refrigeration (front access/ventilation ) <input type="checkbox"/> Note: Remote doesn't incl Conds unit. Floor drain reqd. <input type="checkbox"/> Remote w/thermostat, solenoid & TXV
<b>MISCELLANEOUS</b>		<input type="checkbox"/> Rear door lock <input type="checkbox"/> Second year parts & labor warranty (excludes compressor)
<b>ACCESSORIES</b>		<input type="checkbox"/> Night curtain, retractable, non-locking <input type="checkbox"/> Solid security cover, removable, locking

## Product Specifications

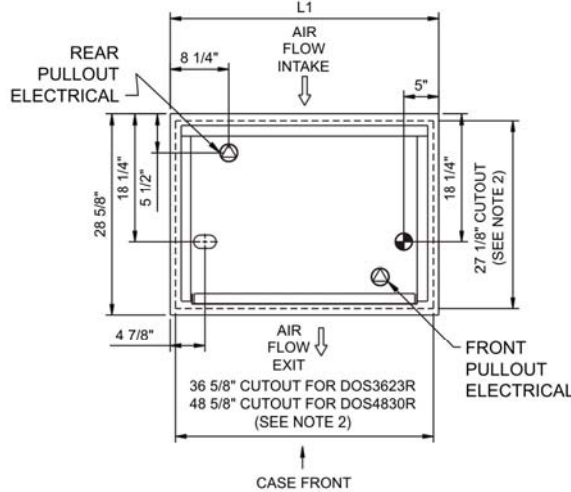
<b>Intended Environment:</b> Type I - Designed to operate in ambient conditions of 75°F with 55% relative humidity unless noted otherwise in system information below.	
<b>Zone</b>	<b>Integrated Prod Temp ° F</b>
All	Packaged / unpackaged refrigerated products
	40

**REAR VIEW**

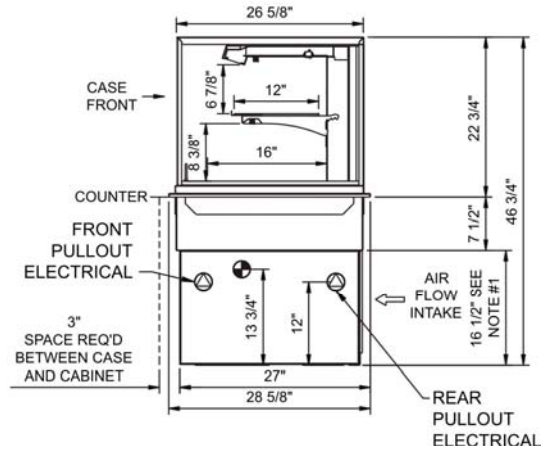


	"A"	"B"	"C"
DOS3623R	4 1/8"	14"	10 3/4"
DOS4823R	6"	14"	10 3/4"

**PLAN VIEW**



**SIDE VIEW**



1. 16 1/2" TALL, FULL WIDTH OF CASE, OPENING IN BACK OF CABINET OR COUNTER IS REQUIRED TO PULL OUT REFRIGERATION SYSTEM.
2. REPRESENTS CUTOUT SIZE IN CABINET FOR CASE TO DROP IN TO. SQUARE CORNERS ON CUTOUTS.
3. BACK OF COUNTER / CABINET MUST BE VENTED PROPERLY FOR ADEQUATE AIRFLOW TO CONDENSOR.
4. EXIT VENT IN FRONT OF CABINET IS PREFERRED. IF NOT PROVIDED, AIR VENT MUST BE SURE NOT TO MIX WITH INTAKE AIR.
5. AIR FLOW INTAKE AND EXIT DETAILS ARE REVERSED WITH FRONT PULLOUT REFRIGERATION OPTION.

**NOTE: ALL DIMENSIONS APPROXIMATE**

- ELECTRICAL JUNCTION BOX (SUPPLIED WITH 6" LEADS OR POWER CORD).
- LOCATION OF DRAIN TUBE FOR REMOTE REF. ONLY (SUPPLIED WITH 3/4" OR 1 1/2" PVC TUBE).

- REFRIGERATION LINE CONNECTION.
- REMOTE FLOOR SINK & UTILITIES ACCESS AREA.

- SELF-CONTAINED CASE SERVICE ACCESS AREA.
- DRY CASE SERVICE ACCESS AREA.

**Model Technical Specifications**

Model	L"	L1"	L2"	System Circuit Volts			Phs	Freq	Amps ***	Watts	Wires	NEMA Plug	SST	BTUH	Ship Wt	Frt Cls
DOS3623R	N/A	38.13	5.00	Remote(Type I)	Circuit #1	110-120	1	60	1.19	119	2+G	Leads Multiple	20	2,000	550	110
				Self-Contained	Circuit #1	110-120	1	60	11.60	1,240	2+G	5-15P or L5-15P	N/A	N/A		
DOS4823R	N/A	50.13	5.00	Remote(Type I)	Circuit #1	110-120	1	60	1.71	163	2+G	Leads Multiple	20	2,400	700	110
				Self-Contained	Circuit #1	110-120	1	60	15.90	1,481	2+G	5-20P or L5-20P	N/A	N/A		

\*\*\* Does not include electric defrost on freezer models.

**Regulatory Approvals:**

All Models	Accordance with AHRI Std 1200 ETL Listed to UL 471 ETL Listed to CAN/CSA 22.2 No. 120 ETL Sanitation to NSF 7
------------	--

**Important Notes:**

- 1) ELECTRICAL NOTE: If GFCI is required, a GFCI breaker MUST be used in lieu of a GFCI receptacle
- 2) Back side of counter must be open or vented the full length of the unit to allow proper ventilation for the refrigeration system.
- 3) A vent in the front of the counter recommended to help dissipate compressor heat.
- 4) Height of display case above counter is 22 3/4"

