

**Combination Refrigerated Service Beside
 Non-Refrigerated Service Case**

Lengths include end panels

- H5C4850LR 50"L x 42"D x 51-1/4"H
- H5C4850RR 50"L x 42"D x 51-1/4"H
- H5C5650LR 58"L x 42"D x 51-1/4"H
- H5C5650RR 58"L x 42"D x 51-1/4"H
- H5C7450LR 76"L x 42"D x 51-1/4"H
- H5C7450RR 76"L x 42"D x 51-1/4"H



MODEL SHOWN: H5C5650LR

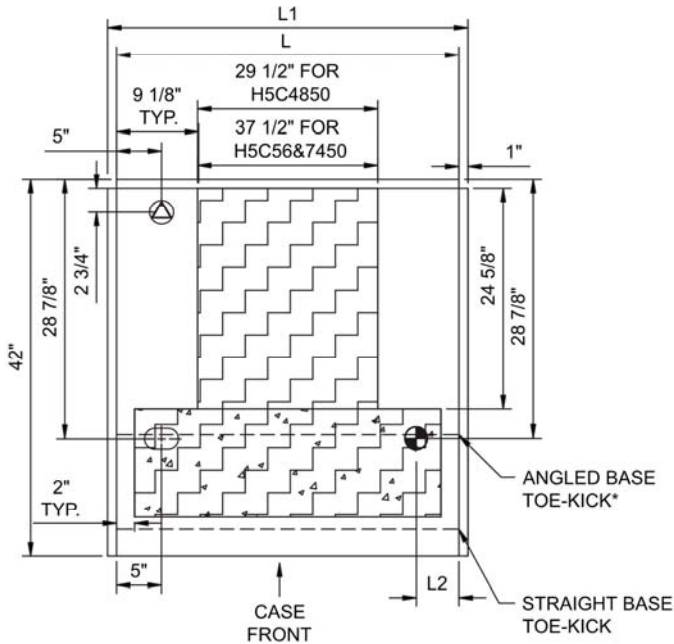
STANDARD FEATURES

- Breeze™ w/EnergyWise s/c refrigeration
- Clear glass shelves, lighted (T-8)
- Compressor air rear intake, front discharge. Toe kick cannot be blocked
- Condensate pan (self-contained refig. only)
- Curved single pane, lift-up front glass w/o lock
- Integrated average product temperature of 40°F or less
- LR = Refrigerated display customer left, RR = Refrigerated display customer right
- One year parts & labor; 5 year compressor warranty
- Shelving removable and adjustable on 1" centers
- T-8 top & shelf lights

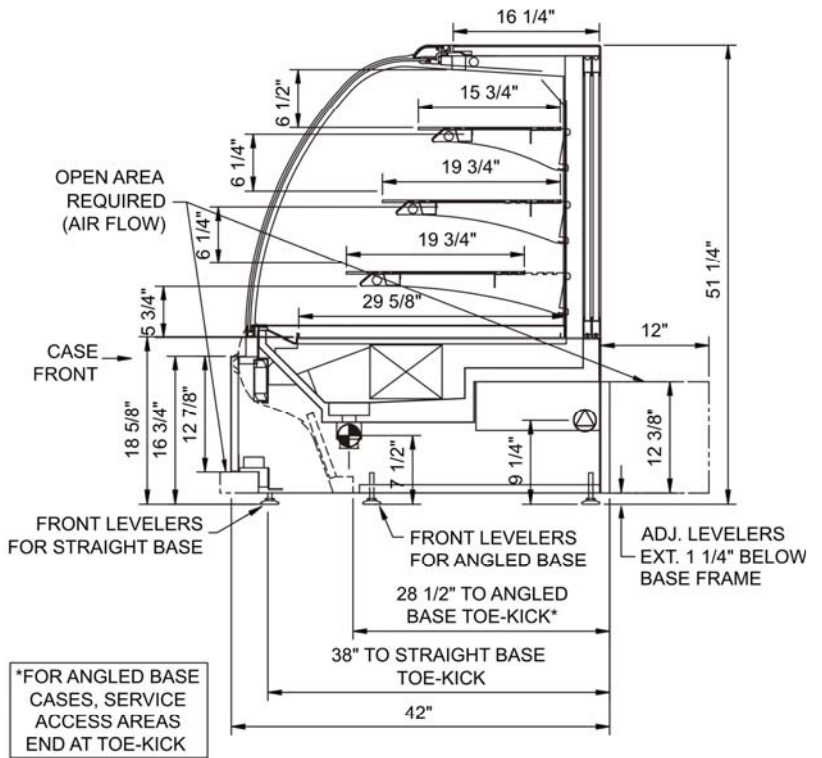
| Features | Standard | Options |
|----------------------------|--|--|
| EXTERIOR COLOR | <input type="checkbox"/> Laminated (non-premium) Confirm pattern/grain direction | <input type="checkbox"/> Laminated (premium) Confirm pattern/grain direction <input type="checkbox"/> Stainless steel (includes rear of case) |
| INTERIOR COLOR | <input type="checkbox"/> Black | <input type="checkbox"/> Stainless steel <input type="checkbox"/> White |
| REAR EXTERIOR COLOR | <input type="checkbox"/> Painted - White | <input type="checkbox"/> Painted - Black <input type="checkbox"/> Stainless steel (w/stainless exterior only) |
| TRIM COLOR | <input type="checkbox"/> Black | <input type="checkbox"/> Silver |
| BASE | <input type="checkbox"/> Levelers | <input type="checkbox"/> 6"H legs <input type="checkbox"/> Casters (n/a with remote) |
| END PANEL LEFT | <input type="checkbox"/> Full end panel w/mirror interior | <input type="checkbox"/> Cutaway with glass <input type="checkbox"/> No end panel (for same case to case connections) |
| END PANEL RIGHT | <input type="checkbox"/> Full end panel w/mirror interior | <input type="checkbox"/> Cutaway with glass <input type="checkbox"/> No end panel (for same case to case connections) |
| UPPER REAR | <input type="checkbox"/> Clear glass rear sliding doors w/o lock | <input type="checkbox"/> Reflective glass rear sliding doors w/o lock |
| ELECTRICAL CONNECT | <input type="checkbox"/> 6' straight blade power cord (self cont.) | <input type="checkbox"/> 6' locking power cord (self cont.) <input type="checkbox"/> Electrical leads (remote) |
| REFRIGERATION | <input type="checkbox"/> Breeze™ w/EnergyWise s/c refrigeration | <input type="checkbox"/> Note: Remote doesn't incl Conds unit. Floor drain reqd. <input type="checkbox"/> Remote w/thermostat, solenoid & TXV |
| MISCELLANEOUS | | <input type="checkbox"/> Front glass lock <input type="checkbox"/> LED lights <input type="checkbox"/> Rear door lock <input type="checkbox"/> Second year parts & labor warranty (excludes compressor) |

| | |
|--|---------------------------------|
| Intended Environment: Type I - Designed to operate in ambient conditions of 75°F with 55% relative humidity unless noted otherwise in system information below. | |
| Zone | Integrated Prod Temp ° F |
| All | 40 |

PLAN VIEW



SIDE VIEW



NOTE: ALL DIMENSIONS APPROXIMATE

- ELECTRICAL JUNCTION BOX (SUPPLIED WITH 6" LEADS OR POWER CORD).
- REMOTE FLOOR SINK & UTILITIES ACCESS AREA.
- LOCATION OF DRAIN TUBE FOR REMOTE REF. ONLY (SUPPLIED WITH 3/2" OR 1 1/2" PVC TUBE).
- SELF-CONTAINED CASE SERVICE ACCESS AREA.
- REFRIGERATION LINE CONNECTION.
- DRY CASE SERVICE ACCESS AREA.

Model Technical Specifications

| Model | L" | L1" | L2" | System | Circuit Volts | Phs | Freq | Amps *** | Watts | Wires | NEMA Plug | SST | BTUH | Ship Wt | Frt Cls | |
|-----------|-----|-------|-------|----------------|---------------|---------|------|----------|-------|-------|-----------|-----------------|------|---------|---------|-----|
| H5C4850LR | N/A | 50.00 | 13.00 | Remote(Type I) | Circuit #1 | 110-120 | 1 | 60 | 262 | 207 | 2+G | Leads Multiple | 20.0 | 1,412 | 950 | 110 |
| | | | | Self-Contained | Circuit #1 | 110-120 | 1 | 60 | 10.70 | 763 | 2+G | 5-15P or L5-15P | N/A | N/A | | |
| H5C4850RR | N/A | 50.00 | 13.00 | Remote(Type I) | Circuit #1 | 110-120 | 1 | 60 | 262 | 207 | 2+G | Leads Multiple | 20.0 | 1,412 | 950 | 110 |
| | | | | Self-Contained | Circuit #1 | 110-120 | 1 | 60 | 10.70 | 763 | 2+G | 5-15P or L5-15P | N/A | N/A | | |
| H5C5650LR | N/A | 58.00 | 13.00 | Remote(Type I) | Circuit #1 | 110-120 | 1 | 60 | 269 | 231 | 2+G | Leads Multiple | 20.0 | 1,655 | 1,030 | 110 |
| | | | | Self-Contained | Circuit #1 | 110-120 | 1 | 60 | 10.70 | 787 | 2+G | 5-15P or L5-15P | N/A | N/A | | |
| H5C5650RR | N/A | 58.00 | 13.00 | Remote(Type I) | Circuit #1 | 110-120 | 1 | 60 | 269 | 231 | 2+G | Leads Multiple | 20.0 | 1,655 | 1,030 | 110 |
| | | | | Self-Contained | Circuit #1 | 110-120 | 1 | 60 | 10.70 | 787 | 2+G | 5-15P or L5-15P | N/A | N/A | | |
| H5C7450LR | N/A | 76.00 | 13.00 | Remote(Type I) | Circuit #1 | 110-120 | 1 | 60 | 227 | 235 | 2+G | Leads Multiple | 20.0 | 2,069 | 1,220 | 110 |
| | | | | Self-Contained | Circuit #1 | 110-120 | 1 | 60 | 10.30 | 791 | 2+G | 5-15P or L5-15P | N/A | N/A | | |
| H5C7450RR | N/A | 76.00 | 13.00 | Remote(Type I) | Circuit #1 | 110-120 | 1 | 60 | 227 | 235 | 2+G | Leads Multiple | 20.0 | 2,069 | 1,220 | 110 |
| | | | | Self-Contained | Circuit #1 | 110-120 | 1 | 60 | 10.30 | 791 | 2+G | 5-15P or L5-15P | N/A | N/A | | |

*** Does not include electric defrost on freezer models.

| Regulatory Approvals: | |
|-----------------------|--|
| All Models | Accordance with AHRI Std 1200 ETL Listed to UL 471 ETL Listed to CAN/CSA 22.2 No. 120 ETL Sanitation to NSF 7 |

Important Notes:

- 1) ELECTRICAL NOTE: If GFCI is required, a GFCI breaker MUST be used in lieu of a GFCI receptacle
- 2) 43" Minimum door entry clearance required (without shipping skid).
- 3) Compressor air intake from rear and out front panel at toe kick. Toe kick cannot be blocked.
- 4) Units are supplied with levelers. They must be adjusted during installation to ensure the unit is level and plumb. Dimensions reflect levelers extended 1 1/4".

