

# ONE CHAMBER RANGES

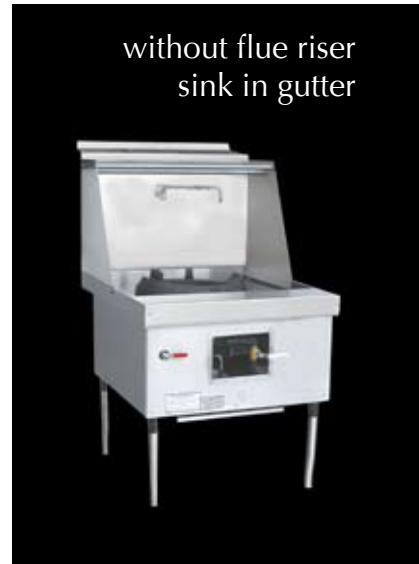
EQUIPMENT



flue riser  
front sink



without flue riser  
front sink



without flue riser  
sink in gutter

Flue Riser vents chamber for maximum chef comfort. See photo at bottom of page 4.

Standard Features pages 2-5. Options & Accessories pages 18-24.

Series, model, chamber, burner and options selection guide pages 25-26.

Select model, finish and type of gas: natural (N) or propane (P).



Chamber size, select one: 13", 16", 18", 20", 22"\*. Photos with item number page 2.

Burner type, select one: Photos with item number page 3.

Specify chamber ring and burner by item number per chamber.

\* chamber spacing may require a custom body size.

**Express: Maximum Value.** Fiber Ceramic chamber with fixed center. Standard body only. Front access sink at right. See limitations pages 5 & 26.

Express with flue	Express without flue	description
EF-1-STD-N or P	E-1-STD-N or P	One Chamber, Standard Finish
EF-1-SS-N or P	E-1-SS-N or P	One Chamber, S/S Body Sides

**YORK: Custom at standard prices.**

Fiber Ceramic chamber located to customer's requirement, strainer basket in gutter. All options available.

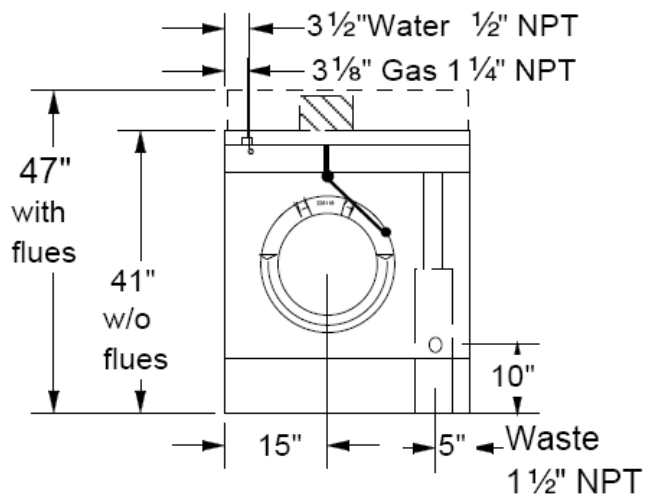
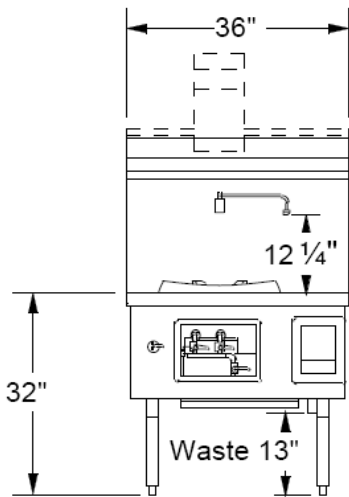
York with flue	York without flue	description
YF-1-STD-N or P	Y-1-STD-N or P	One Chamber, Standard Finish
YF-1-SS-N or P	Y-1-SS-N or P	One Chamber, S/S Body Sides

**MASTERRANGE: For the professional, there is no equal.®**

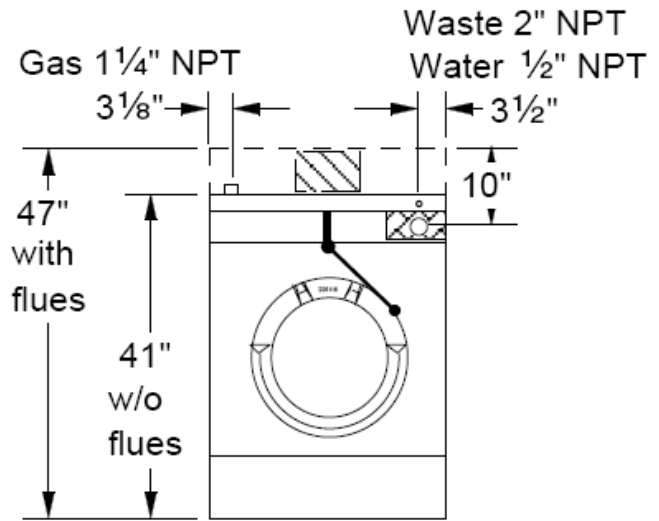
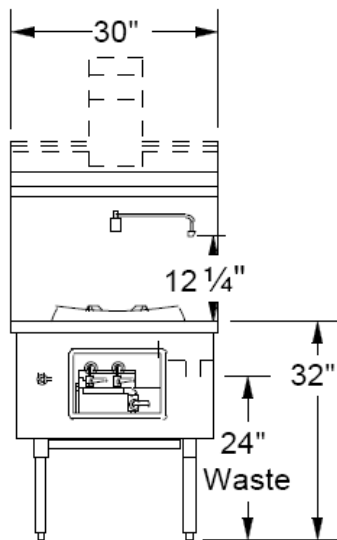
Our Best. Refractory Brick chamber cooks faster and lasts longer. Chamber located to customer's requirement, strainer basket in gutter. All options available.

MasteRRange with flue	MasteRRange without flue	description
MF-1-STD-N or P	M-1-STD-N or P	One Chamber, Standard Finish
MF-1-SS-N or P	M-1-SS-N or P	One Chamber, S/S Body Sides





Express: Chamber centers fixed and sink in body at right.



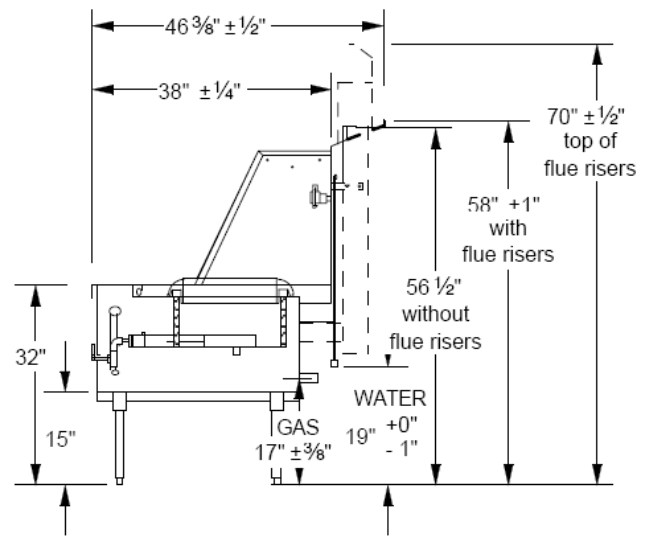
York & MasterRRange: Sink in gutter and chamber position vary with customer's needs.



models	ship wt †	cu ft †
EF-1-*	400	58
E-1-*	360	52
YF-1-*	400	58
Y-1-*	360	52
MF-1-*	450	58
M-1-*	400	52

\* Specify finish and type of gas.

† approximate



Side view, all models.