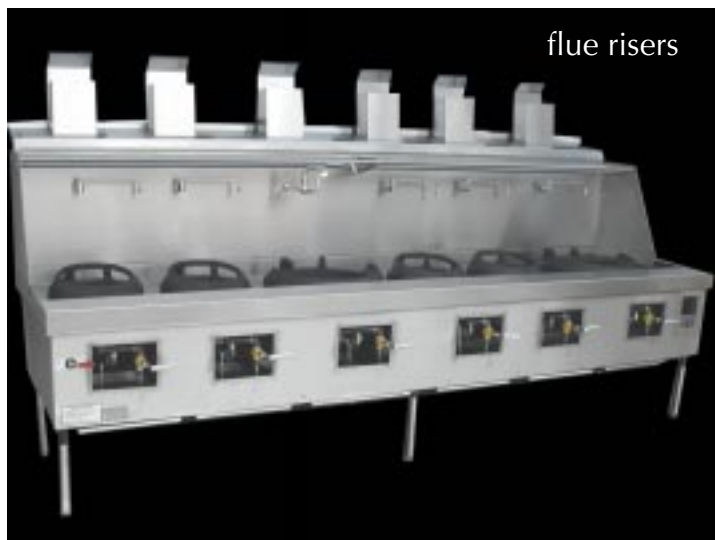


SIX CHAMBER RANGES



Standard Features pages 2-5. Options & Accessories pages 18-24.

Flue Risers vent chambers for maximum chef comfort. See photo at bottom of page 4. Series, model, chamber, burner and options selection guide pages 25-26.

Select series, model, finish, and type of gas: natural (N) or propane (P) from list below.

Chamber sizes, select six: 13", 16", 18", 20", 22"*. Photos with item numbers page 2.

Select a burner per chamber: Photos with item numbers page 3.

Specify chamber ring and burner by item number for each chamber.

*Multiple large chambers require a custom body size. Optional large sink recommended for this model.

Express: unavailable. Six chamber ranges require custom spacing.

YORK: Custom at standard prices.

Fiber Ceramic chambers and front access sink located to customer's requirements.

All options available.

York with flues	York without flues	description
YF-6-STD-N or P	Y-6-STD-N or P	Six Chambers, Standard Finish
YF-6-SS-N or P	Y-6-SS-N or P	Six Chambers, S/S Body Sides

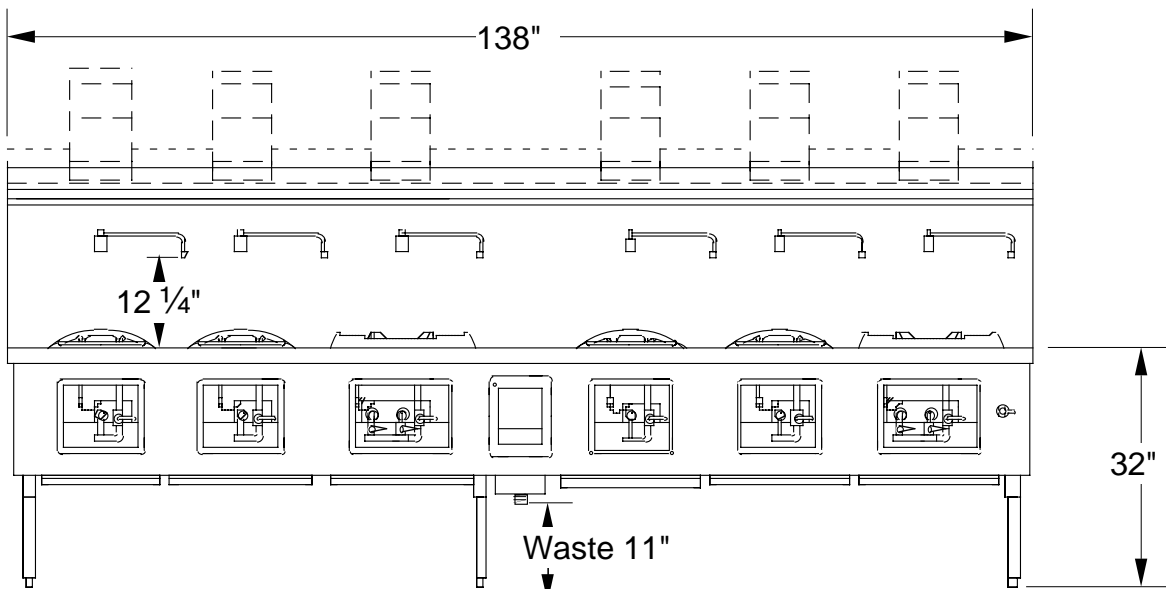
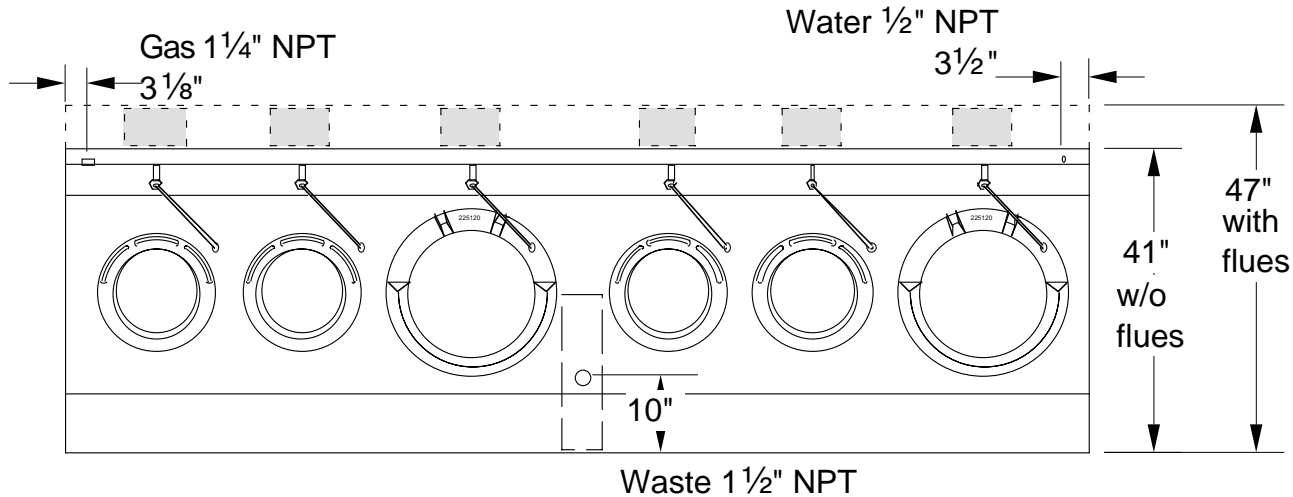
MASTERRANGE: For the professional, there is no equal.®

Our Best. Refractory Brick chambers cook faster and last longer. Chambers and front access sink located to customer's requirements. All options available.

MasteRRange with flues	MasteRRange without flues	description
MF-6-STD-N or P	M-6-STD-N or P	Six Chambers, Standard Finish
MF-6-SS-N or P	M-6-SS-N or P	Six Chambers, S/S Body Sides



SIX CHAMBER RANGES



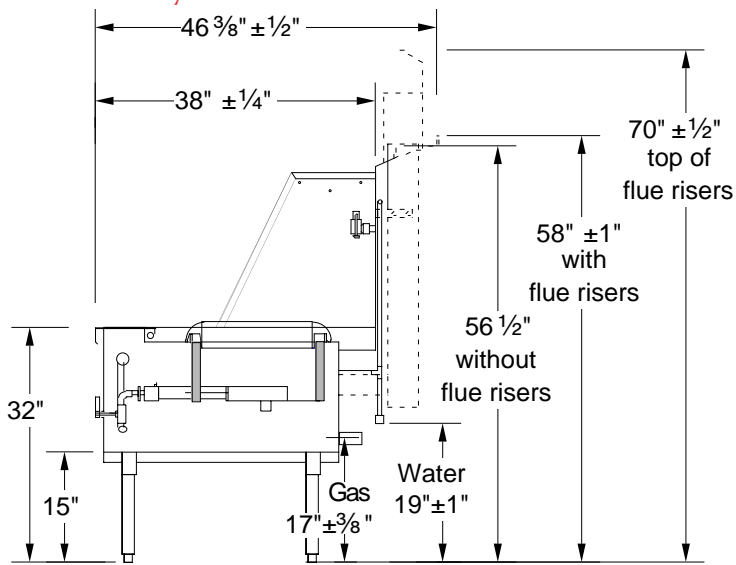
York & MasteRRange: Sink and chamber position vary with customer's needs.



models	ship wt †	cu ft †
YF-6-*	1900	232
Y-6-*	1700	209
MF-6-*	2100	232
M-6-*	1900	209

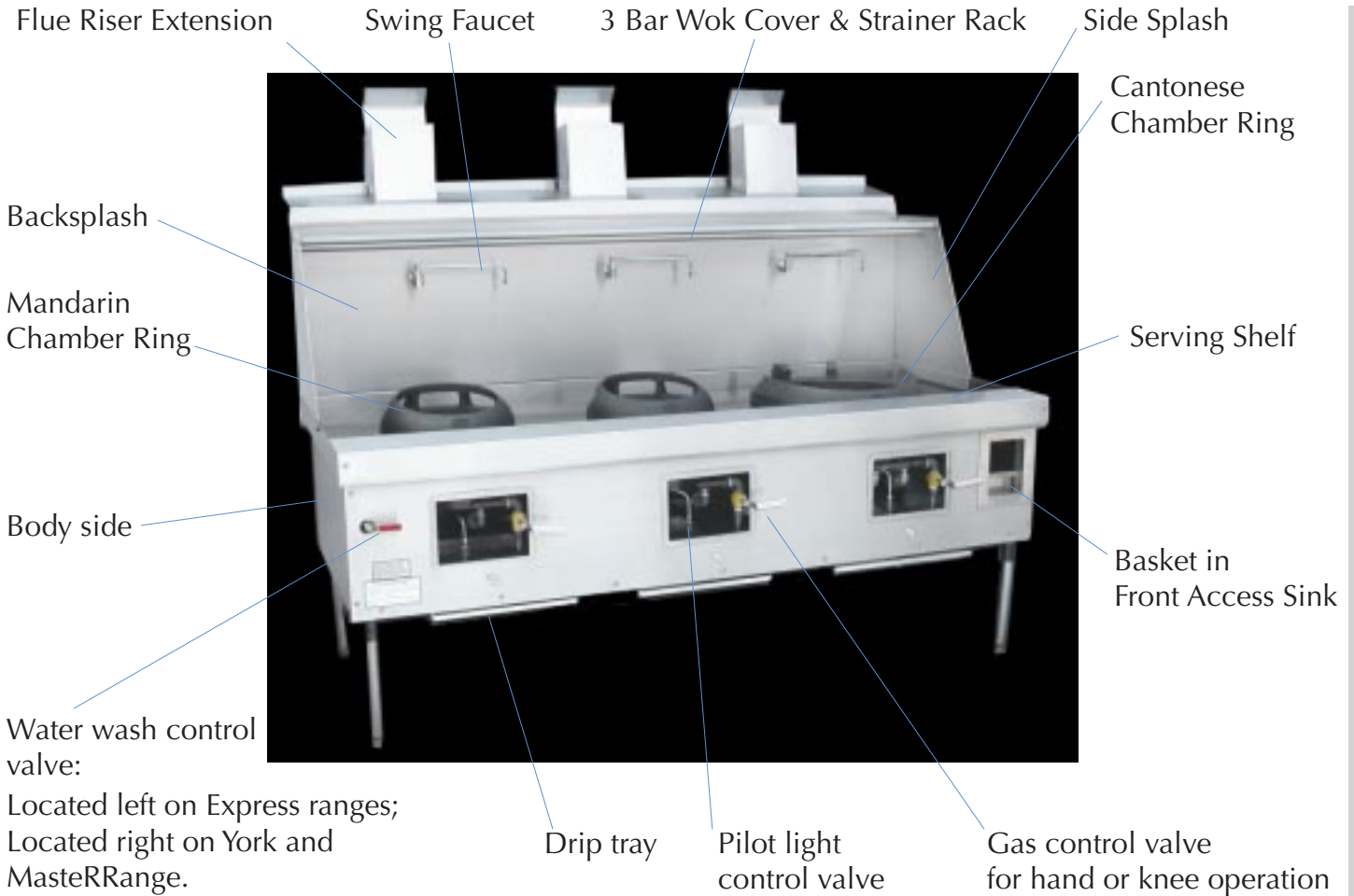
* Specify finish and type of gas.

† approximate



Side view, all models.





Water wash control valve:

Located left on Express ranges;
Located right on York and MasteRRange.

Btu at a glance:

burner*	Btu, nat	Btu, propane
Two Ring	75,000	58,000
Three Ring‡	137,000	120,000
23 Tip Jet	90,000	92,000
32 Tip Jet‡	116,000	103,000
18 Tip Vertical Shield	97,000	62,000
18 Tip Angle Shield‡	90,000	80,000
16 Tip Volcano	75,000	53,000
9 Tip No-Clog	62,000	44,000
12 Tip No-Clog	80,000	53,000
warming chamber	15,300	13,200

*order burner by part number(page 3) ‡ chambers 16" and larger

Limited Warranty

Town warrants all ranges and smokehouses free from defects of workmanship or material for one (1) year from invoice date with the exception of safety pilot systems which are covered by a 90 day warranty. Safety pilot systems installed without drip legs are not covered by this warranty. Defective parts returned prepaid will be repaired or replaced subject to our inspection and returned freight collect. Mishandling or abuse of equipment or components is not covered by this warranty and repairs or replacement will be made at a nominal charge. Labor costs to return or replace parts in this equipment are the responsibility of the purchaser, as are proper installation and adjustments.

