



T&S BRASS AND BRONZE WORKS, INC.

2 Saddleback Cove / P.O. Box 1088
Travelers Rest, SC 29690



REG. #A2601
ISO #9001

Model No.

B-0113-BC

Item No.

Travelers Rest, SC: 800-476-4103 • Simi Valley, CA: 800-423-0150 • Fax: 864-834-3518 • www.tsbrass.com

This Space for Architect/Engineer Approval

Job Name _____ Date _____

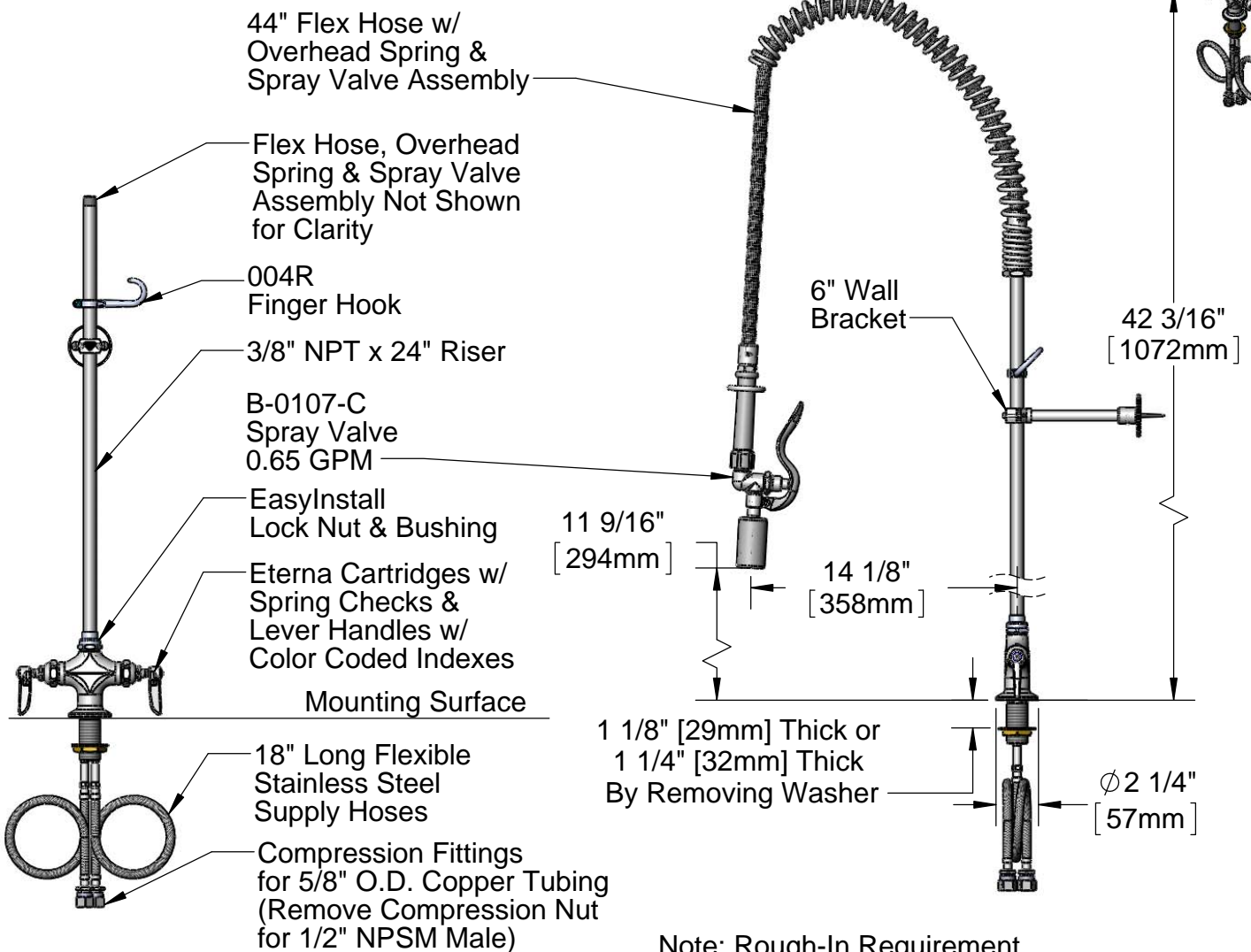
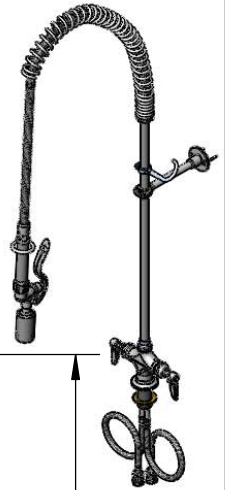
Model Specified _____ Quantity _____

Customer/Wholesaler _____

Contractor _____

Architect/Engineer _____

EPAct 2005 Compliant



Note: Rough-In Requirement
 Ø 1 1/2" [Ø 38mm] Hole
 (Ø 1 1/4" [Ø 32mm] Minimum)

Product Specifications:
 EasyInstall Pre-Rinse Unit:
 Single Deck Mount Faucet, Flex Supply Hoses, 24" Riser,
 Overhead Spring, 44" Flex Hose, 6" Wall Bracket
 & B-0107-C Spray Valve

Drawn	Checked	Approved
JRM	DMH	JHB
Scale:	Date:	
1:9	07/14/11	



T&S BRASS AND BRONZE WORKS, INC.

2 Saddleback Cove / P.O. Box 1088
Travelers Rest, SC 29690



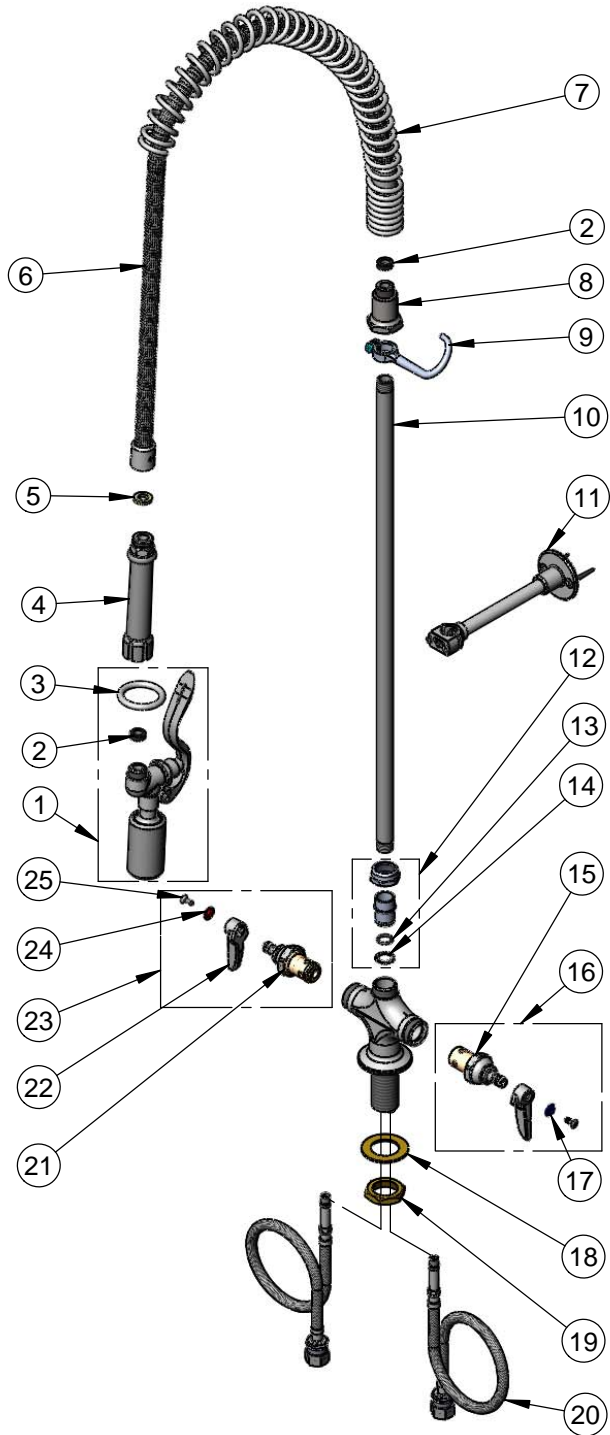
REG. #A2601
ISO #9001

Model No.

B-0113-BC

Item No.

Travelers Rest, SC: 800-476-4103 • Simi Valley, CA: 800-423-0150 • Fax: 864-834-3518 • www.tsbrass.com



ITEM NO.	SALES NO.	DESCRIPTION
1	B-0107-C	0.65 GPM Spray Nozzle
2	010476-45	#27 Washer
3	000907-45	Spray Valve Hold Down Ring
4	002987-40	Grey Handle Assembly
5	001014-45	Washer, B-0100 Hose Barrel
6	B-0044-H2A	44" Flex Hose Assembly Less Handle
7	000888-45	EasyInstall Overhead Spring
8	000821-40	Spring Body
9	004R	Finger Hook Assembly
10	000372-40	3/8" NPT x 24" Long Riser
11	B-0109-01	B-109 Wall Bracket Body
12	EZ-K	EasyInstall Kit: Bushing, O-Ring, Lock Washer & Loctite 222
13	001065-45	O-Ring
14	014200-45	Star Washer, Anti-Rotation
15	012442-40	Cold Eterna w/ Spring Check
16	002711-40	Cold Eterna w/ Spring Check, Handle, Index & Screw
17	001660-45	Blue Index-CW
18	002290-45	Lock Washer
19	000965-45	Lock Nut
20	012534-45	Flexible Connector Hose (2)
21	012443-40	Hot Eterna w/ Spring Check
22	001638-45	Lever Handle
23	002712-40	Hot Eterna w/ Spring Check, Handle, Index & Screw
24	001661-45	Red Index-HW
25	000922-45	Lever Handle Screw

Product Specifications:

EasyInstall Pre-Rinse Unit:
Single Deck Mount Faucet, Flex Supply Hoses, 24" Riser,
Overhead Spring, 44" Flex Hose, 6" Wall Bracket
& B-0107-C Spray Valve

Drawn

JRM

Checked

DMH

Approved

JHB

Scale:

NTS

Date:

07/14/11