



T&S BRASS AND BRONZE WORKS, INC.

2 Saddleback Cove / P.O. Box 1088
Travelers Rest, SC 29690

Model No.

B-0123

Item No.

Travelers Rest, SC: 800-476-4103 • Simi Valley, CA: 800-423-0150 • Fax: 864-834-3518 • www.tsbrass.com

EPAct 2005 Compliant

This Space for Architect/Engineer Approval

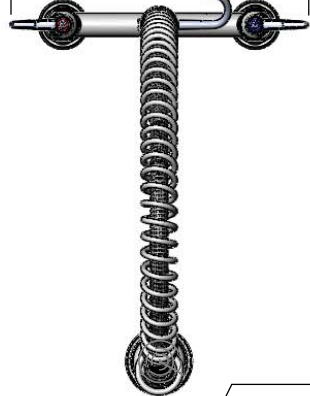
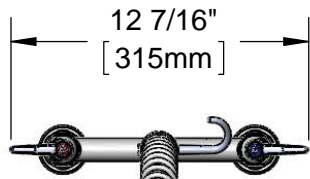
Job Name _____ Date _____

Model Specified _____ Quantity _____

Customer/Wholesaler _____

Contractor _____

Architect/Engineer _____



44" Flex Hose w/
Overhead Spring &
Spray Valve

Items Not Shown
for Clarity

Finger Hook

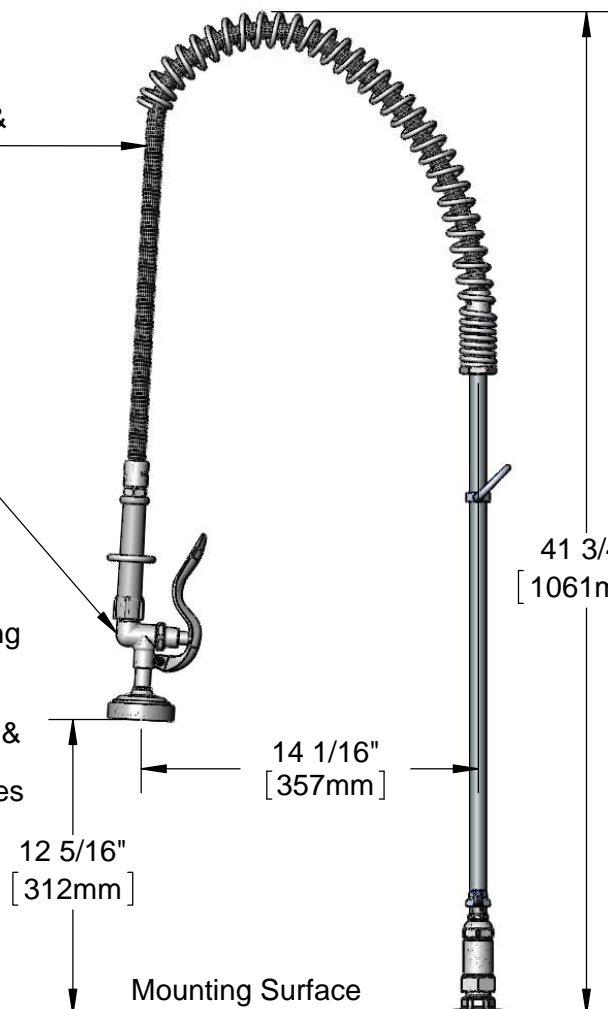
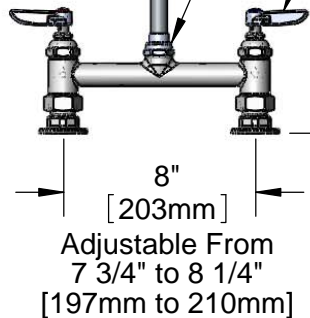
B-0107
Spray Valve
1.42 GPM

3/8" NPT x 24"
Riser

EasyInstall
Lock Nut & Bushing

Eterna Cartridges
w/ Spring Checks &
Lever Handles w/
Color Code Indexes

5 1/8"
[131mm]



Mounting Surface

Ø 2" [51mm]
Flanges w/
1/2" NPT
Female Inlets

Product Specifications:

EasyInstall Pre-Rinse Unit:
8" Deck Mount Mixing Faucet, Eterna Cartridges w/ Spring Checks,
24" Riser, Overhead Spring, 44" Flexible Stainless Steel Hose w/
B-0107 Spray Valve & 1/2" NPT Female Inlets

Drawn

DHL

Checked

DMH

Approved

JHB

Scale:

1:8

Date:

02/11/13



T&S BRASS AND BRONZE WORKS, INC.

2 Saddleback Cove / P.O. Box 1088
Travelers Rest, SC 29690

Model No.

B-0123

Item No.

Travelers Rest, SC: 800-476-4103 • Simi Valley, CA: 800-423-0150 • Fax: 864-834-3518 • www.tsbrass.com



ITEM NO.	SALES NO.	DESCRIPTION
1	B-0107	Grey Spray Valve
2	010476-45	#27 Washer
3	000907-45	Spray Valve Hold Down Ring
4	002987-40	Grip Handle Assembly
5	001014-45	Washer, B-0100 Hose Barrel
6	B-0044-H2A	44" Flex Stainless Steel Hose, Less Handle
7	000888-45	EasyInstall Overhead Spring
8	000821-40	Spring Body
9	004R	Finger Hook
10	000372-40	3/8" NPT x 24" Riser
11	000922-45	Lever Handle Screw
12	002711-40	Eterna Cartridge, LTC w/ Spring Check, Handle, Index & Screw
13	001660-45	Blue Index-CW
14	001638-45	Lever Handle
15	012442-40	Eterna Cartridge, LTC w/ Spring Check
16	001065-45	O-Ring
17	014200-45	Star Washer, Anti-Rotation
18	001019-45	Coupling Nut Washer
19	00AA	1/2" NPT Female Eccentric Flange
20	EZ-K	EasyInstall Kit: Bushing, O-ring, Lock Washer & Loctite 222
21	002712-40	Eterna Cartridge, RTC w/ Spring Check, Handle, Index & Screw
22	012443-40	Eterna Cartridge, RTC w/ Spring Check
23	001661-45	Red Index-HW

Product Specifications:

EasyInstall Pre-Rinse Unit:
8" Deck Mount Mixing Faucet, Eterna Cartridges w/ Spring Checks,
24" Riser, Overhead Spring, 44" Flexible Stainless Steel Hose w/
B-0107 Spray Valve & 1/2" NPT Female Inlets

Drawn

DHL

Checked

DMH

Approved

JHB

Scale:

NTS

Date:

02/11/13